



Chipsmall Limited consists of a professional team with an average of over 10 year of expertise in the distribution of electronic components. Based in Hongkong, we have already established firm and mutual-benefit business relationships with customers from,Europe,America and south Asia,supplying obsolete and hard-to-find components to meet their specific needs.

With the principle of “Quality Parts,Customers Priority,Honest Operation,and Considerate Service”,our business mainly focus on the distribution of electronic components. Line cards we deal with include Microchip,ALPS,ROHM,Xilinx,Pulse,ON,Everlight and Freescale. Main products comprise IC,Modules,Potentiometer,IC Socket,Relay,Connector.Our parts cover such applications as commercial,industrial, and automotives areas.

We are looking forward to setting up business relationship with you and hope to provide you with the best service and solution. Let us make a better world for our industry!



Contact us

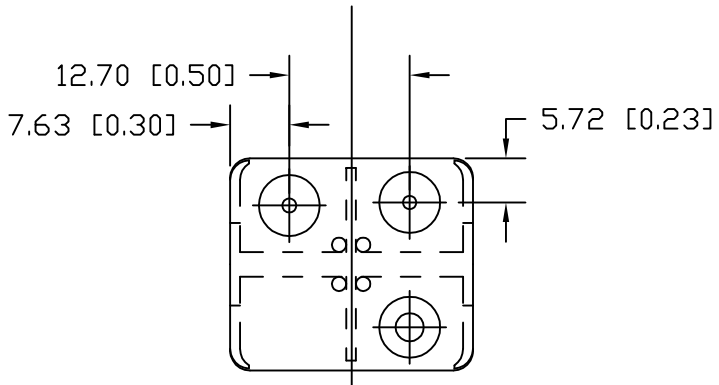
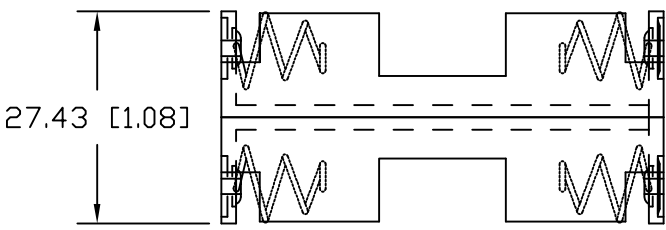
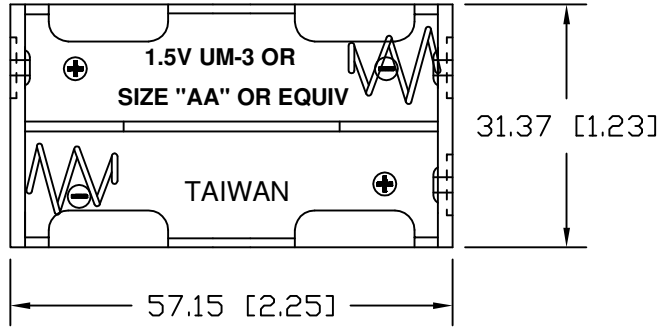
Tel: +86-755-8981 8866 Fax: +86-755-8427 6832

Email & Skype: info@chipsmall.com Web: www.chipsmall.com


Address: A1208, Overseas Decoration Building, #122 Zhenhua RD., Futian, Shenzhen, China



Date	SYM	REVISION RECORD	AUTH	DR.	CK.
3/18/06	A	UPDATED MATERIAL SPEC.	T.B.	B.S.	
5/06/06	B	ADDED CONTACT RESI. INFO.	T.B.	B.S.	
3/10/07	C	ADDED DIM. 12.70 [0.50]	T.B.	B.S.	
3/18/07	D	ADDED DIM. 7.63 AND 5.72	T.B.	B.S.	



MATERIAL:
 HOUSING: POLYPROPYLENE
 FLAMMABILITY RATING -UL94 HB, UL FILE NO. E216959
 TEMPERATURE RANGE: -10°C to +100°C
 SPRINGS: SPRING STEEL, NICKEL PLATED
 RIVETS: BRASS, NICKEL PLATED
 CONTACT RESISTANCE: UNDER 50mΩ FOR +/- CONTACTS PER EIA-540J000
 ROHS COMPLIANT

Tolerance (Inches)	 Memory Protection Devices, Inc 200 Broad Hollow Road, Farmingdale, New York 11735		
Decimal ±.5 (.020)		Scale	Drawn By B.S.
Fractional ± .8 (.030)	Title 4 "AA" BATTERY HOLDER		
Angular ± 3°	Date 3/18/07	Drawing Number BH24AAB	
		Approved By T.B.	