



Chipsmall Limited consists of a professional team with an average of over 10 year of expertise in the distribution of electronic components. Based in Hongkong, we have already established firm and mutual-benefit business relationships with customers from,Europe,America and south Asia,supplying obsolete and hard-to-find components to meet their specific needs.

With the principle of “Quality Parts,Customers Priority,Honest Operation,and Considerate Service”,our business mainly focus on the distribution of electronic components. Line cards we deal with include Microchip,ALPS,ROHM,Xilinx,Pulse,ON,Everlight and Freescale. Main products comprise IC,Modules,Potentiometer,IC Socket,Relay,Connector.Our parts cover such applications as commercial,industrial, and automotives areas.

We are looking forward to setting up business relationship with you and hope to provide you with the best service and solution. Let us make a better world for our industry!



## Contact us

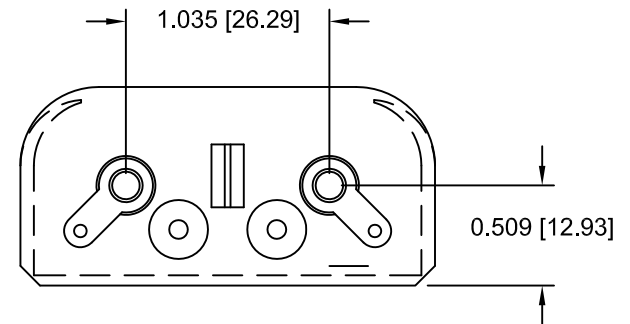
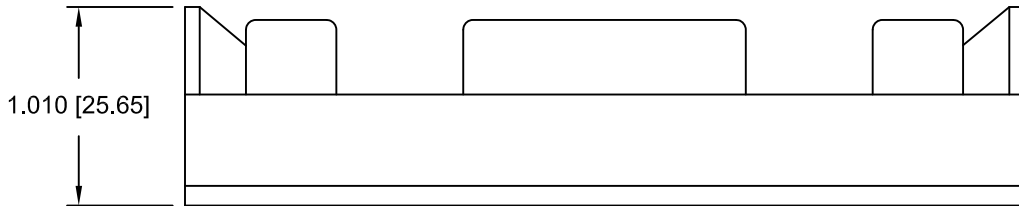
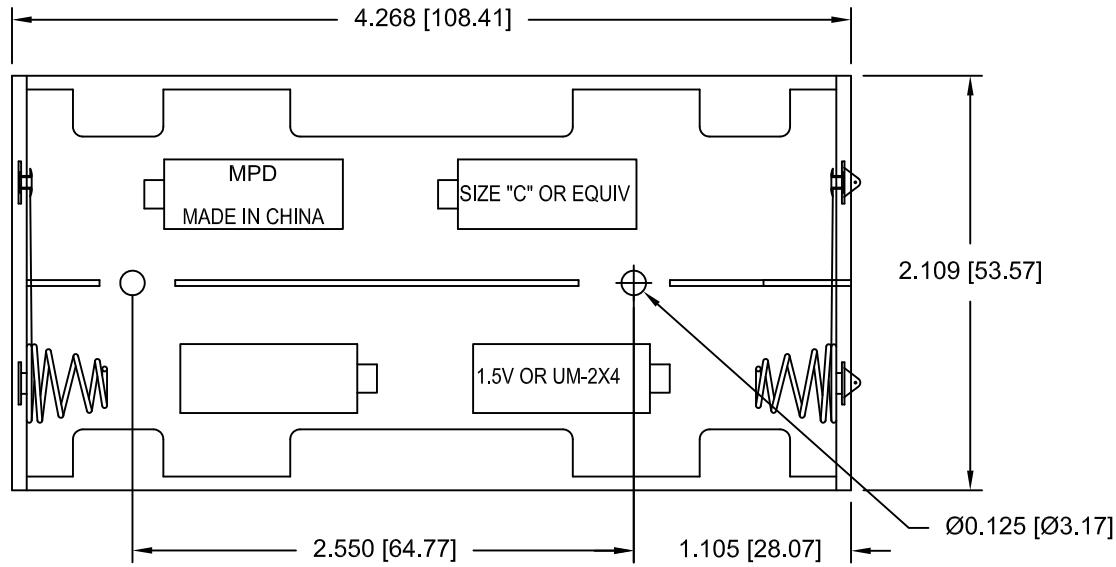
Tel: +86-755-8981 8866 Fax: +86-755-8427 6832

Email & Skype: info@chipsmall.com Web: www.chipsmall.com

Address: A1208, Overseas Decoration Building, #122 Zhenhua RD., Futian, Shenzhen, China




Date	SYM	REVISION RECORD	AUTH	DR.	CK.
3/07/08	D	DIM. 2.550 WAS 2.500 DIM. 1.105 WAS 1.143.	T.B.	B.S.	
11/16/12	E	RE-DRAWN DIM. 4.268 WAS 4.303	T.B.	B.S.	
8/06/14	F	UPDATED TO ROHS 2 COMPLIANT	T.B.	B.S.	



## SPECIFICATIONS

Plastic material - Polypropylene  
 Flammability Rating -UL94-HB, UL File NO. E216959  
 Temperature Range: -10°C to +100°C  
 Springs - Nickel Plated Spring Steel  
 Wire - 26 AWG, UL1007, CSA  
 Rivets - Brass, Nickel Plated  
 9Volt Snaps - Brass, Nickel Plated  
 CONTACT RESISTANCE: UNDER 50mΩ FOR +/-  
 CONTACTS PER EIA-540J000  
 ROHS 2 COMPLIANT

Tolerance (Except as noted)	 <b>Memory Protection Devices, Inc</b> 200 Broad Hollow Road, Farmingdale, New York 11735		
	decimal ±.020 (.5)	Scale 1=1	Drawn By T.S. Approved By T.B.
Fractional ± .030 (.8)	Title FOUR "C" CELL HOLDER WITH SOLDER LUGS		
Angular ± 3°	Date 8/06/14	Drawing Number BH24CL	