



Chipsmall Limited consists of a professional team with an average of over 10 year of expertise in the distribution of electronic components. Based in Hongkong, we have already established firm and mutual-benefit business relationships with customers from,Europe,America and south Asia,supplying obsolete and hard-to-find components to meet their specific needs.

With the principle of “Quality Parts,Customers Priority,Honest Operation,and Considerate Service”,our business mainly focus on the distribution of electronic components. Line cards we deal with include Microchip,ALPS,ROHM,Xilinx,Pulse,ON,Everlight and Freescale. Main products comprise IC,Modules,Potentiometer,IC Socket,Relay,Connector.Our parts cover such applications as commercial,industrial, and automotives areas.

We are looking forward to setting up business relationship with you and hope to provide you with the best service and solution. Let us make a better world for our industry!



Contact us

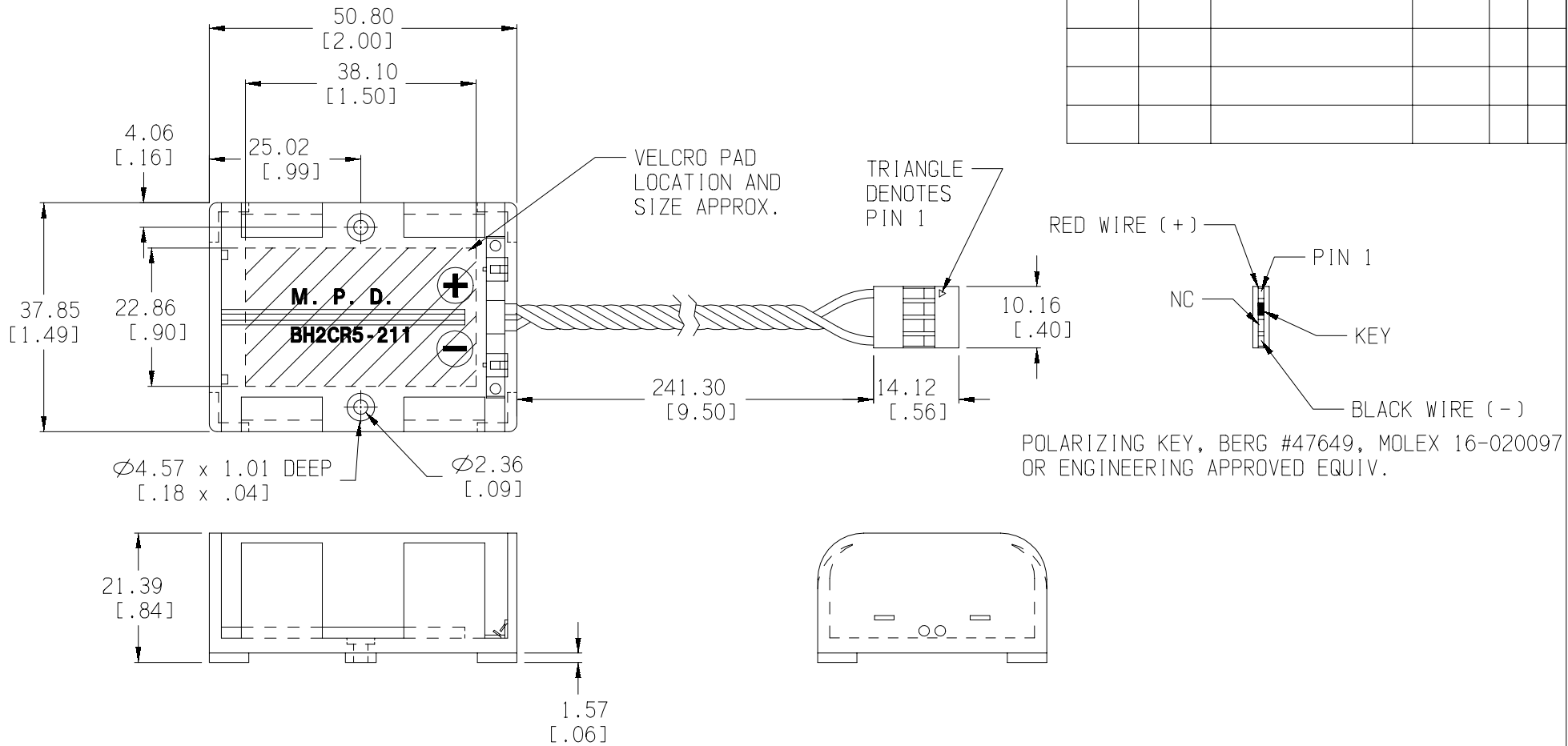
Tel: +86-755-8981 8866 Fax: +86-755-8427 6832

Email & Skype: info@chipsmall.com Web: www.chipsmall.com

Address: A1208, Overseas Decoration Building, #122 Zhenhua RD., Futian, Shenzhen, China




Date	SYM	REVISION RECORD	AUTH	DR.	CK.



NOTES:

MATERIAL:

HOUSING: HIGH IMPACT ABS, BLACK, UL94V-0
TEMP. RANGE: -40°C TO +110°C
POWER CONTACTS: PHOSPHORUS BRONZE HV190, NICKLE PLATED
WIRE: 24AWG PVC, UL1007, #E41396, CSA #TR-64
80°C 300V, RED (+), BLACK (-), AWM VW-1, TWISTED
CONNECTOR: BERG, MOLEX OR EQUIV.
BERG #65039-033, MOLEX #50-57-9004 OR EQUIV.
FEMALE 4-PIN CONNECTOR. PIN CENTERS=.100".
CONTACTS: BERG, MOLEX OR EQUIV.
BERG #47565, MOLEX #16-02-0097
SELECT GOLD IN MATING AREA, NICKLE PLTD. OVERALL.

Tolerance (Inches)	 Memory Protection Devices, Inc. 200 Broad Hollow Road, Farmingdale, New York 11735		
Decimal ±.5 (.020)	Scale	Drawn By B.S.	
Fractional ± .8 (.030)	Title	2CR5 BATTERY HOLDER WITH POLARIZING KEY	
Angular ± 3°	Date 04/02/01	Drawing Number BH2CR5-211	
		Approved By T.B.	