



Chipsmall Limited consists of a professional team with an average of over 10 year of expertise in the distribution of electronic components. Based in Hongkong, we have already established firm and mutual-benefit business relationships with customers from,Europe,America and south Asia,supplying obsolete and hard-to-find components to meet their specific needs.

With the principle of “Quality Parts,Customers Priority,Honest Operation,and Considerate Service”,our business mainly focus on the distribution of electronic components. Line cards we deal with include Microchip,ALPS,ROHM,Xilinx,Pulse,ON,Everlight and Freescale. Main products comprise IC,Modules,Potentiometer,IC Socket,Relay,Connector.Our parts cover such applications as commercial,industrial, and automotives areas.

We are looking forward to setting up business relationship with you and hope to provide you with the best service and solution. Let us make a better world for our industry!



Contact us

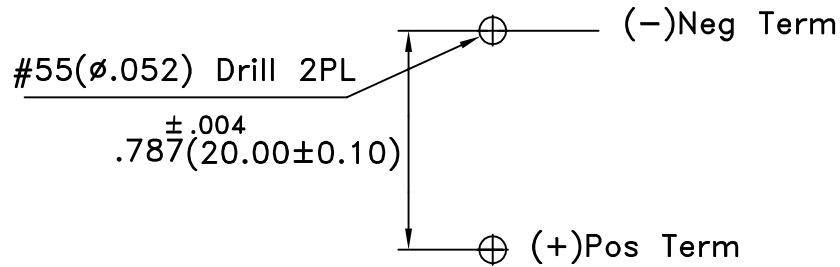
Tel: +86-755-8981 8866 Fax: +86-755-8427 6832

Email & Skype: info@chipsmall.com Web: www.chipsmall.com

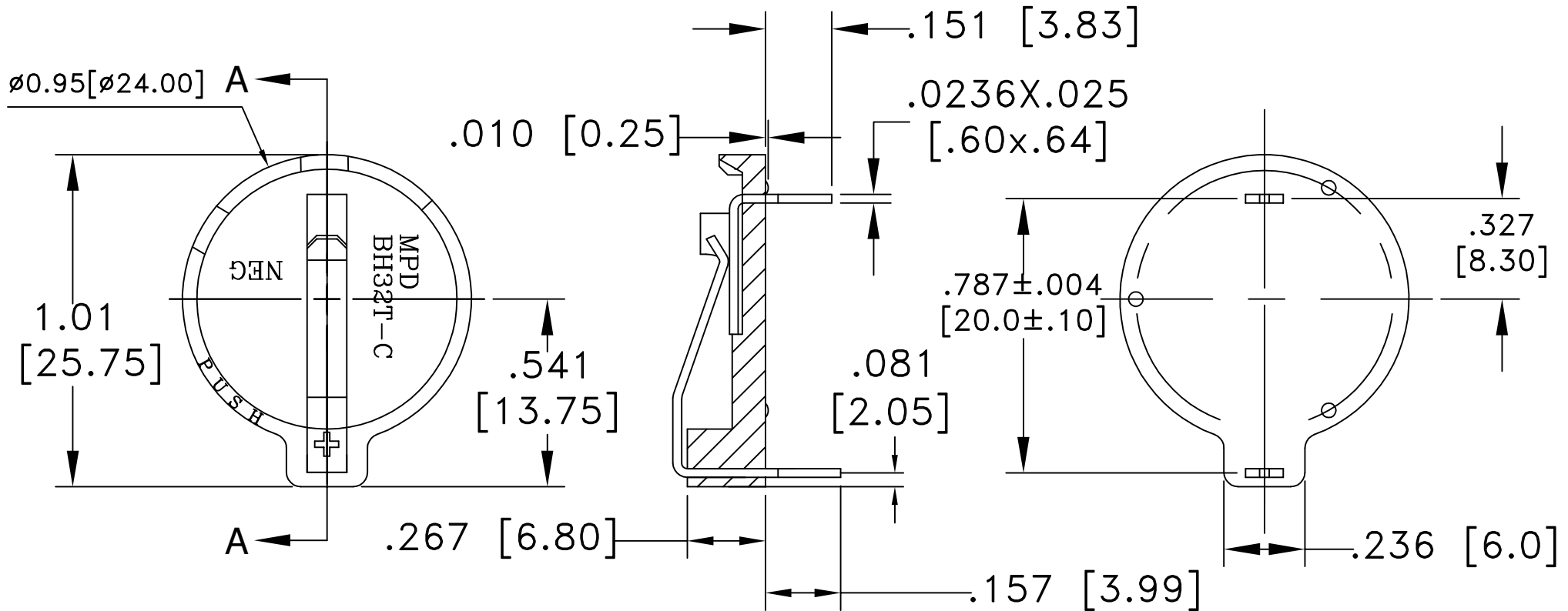
Address: A1208, Overseas Decoration Building, #122 Zhenhua RD., Futian, Shenzhen, China



PCB LAYOUT




Date	SYM	REVISION RECORD	AUTH	DR.	CK.
10/22/05	B	ADDED "ROHS COMPLIANT"	T.B.	B.S.	
11/05/05	C	REDRAWN ALL VIEWS	T.B.	B.S.	
3/04/06	D	DIM. 1.01 WAS .01	T.B.	B.S.	
1/13/07	E	ADDED DIM. 0.787, 0.327, 0.236 & 0.541	T.B.	B.S.	



SPECIFICATIONS

- *Holder material- Black PBT
- *Flammability rating-UL94V-0, UL file no. E53829
- *Contacts :
 Positive: 0.0236" Thick PHOS-BRONZE, Nickel Plated
 Negative: spring tempered Stainless Steel, Nickel Plated
- *Temperature Range: -40°C to +140°C
- ROHS COMPLIANT

Tolerance (Except as noted)	 Memory protection Devices, Inc 200 Broad Hollow Road, Farmingdale, New York 11735		
decimal ±.5 (.020)	Scale	Drawn By B.S. Approved By T.B.	
Fractional ± .8 (.030)	Title CR2032 OR BR2032 BATTERY		
Angular ± 3°	Date 1/13/07	Drawing Number BH32T-C	