



Chipsmall Limited consists of a professional team with an average of over 10 year of expertise in the distribution of electronic components. Based in Hongkong, we have already established firm and mutual-benefit business relationships with customers from,Europe,America and south Asia,supplying obsolete and hard-to-find components to meet their specific needs.

With the principle of "Quality Parts,Customers Priority,Honest Operation,and Considerate Service",our business mainly focus on the distribution of electronic components. Line cards we deal with include Microchip,ALPS,ROHM,Xilinx,Pulse,ON,Everlight and Freescale. Main products comprise IC,Modules,Potentiometer,IC Socket,Relay,Connector.Our parts cover such applications as commercial,industrial, and automotives areas.

We are looking forward to setting up business relationship with you and hope to provide you with the best service and solution. Let us make a better world for our industry!



Contact us

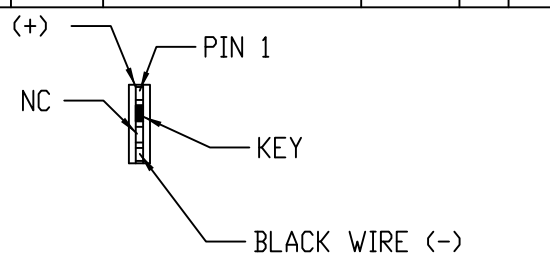
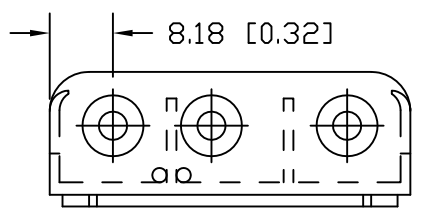
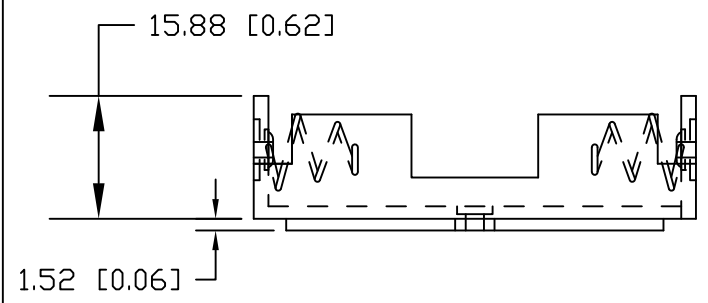
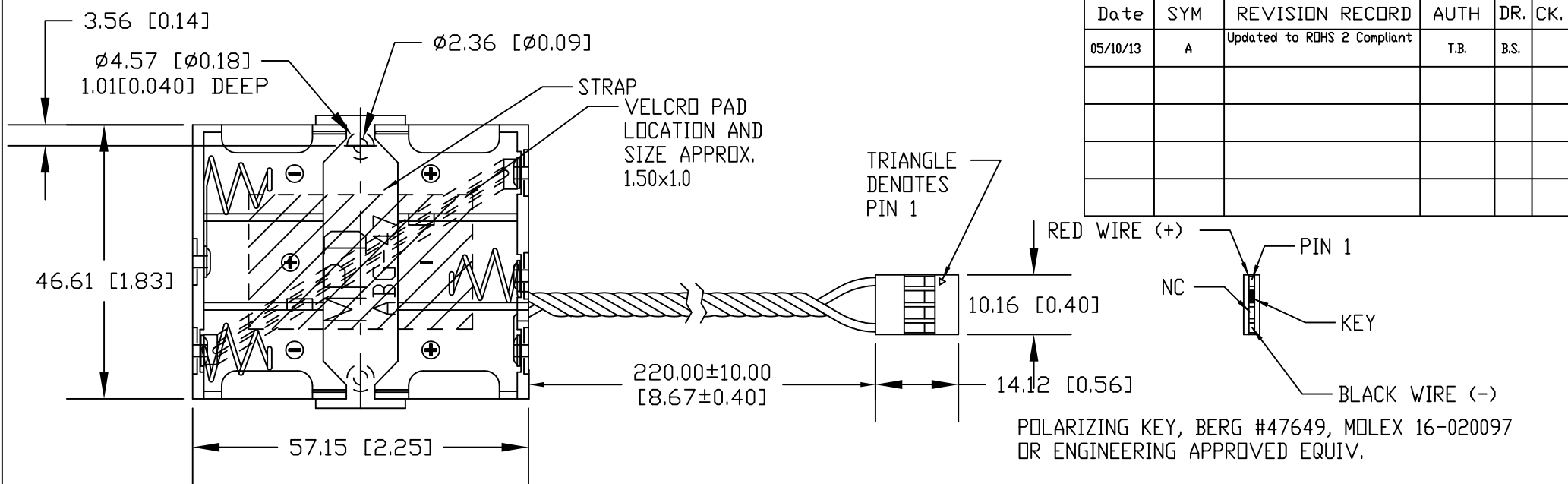
Tel: +86-755-8981 8866 Fax: +86-755-8427 6832

Email & Skype: info@chipsmall.com Web: www.chipsmall.com

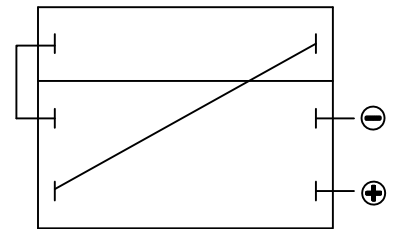
Address: A1208, Overseas Decoration Building, #122 Zhenhua RD., Futian, Shenzhen, China



Date	SYM	REVISION RECORD	AUTH	DR.	CK.
05/10/13	A	Updated to ROHS 2 Compliant	T.B.	B.S.	



POLARIZING KEY, BERG #47649, MOLEX 16-020097 OR ENGINEERING APPROVED EQUIV.




INTER CONNECTION SCHEMATIC

NOTES:

MATERIAL:

HOUSING: IMPACT RESISTANCE NYLON #6, BLACK, UL 94V-2
 SPRING: SPRING STEEL, NICKLE PLATED
 WIRE: 24AWG PVC, UL1007, #E41396, CSA #TR-64
 80°C 300V, RED (+), BLACK (-), AWM VW-1, TWISTED
 CONNECTOR: BERG, MOLEX OR EQUIV.
 BERG #65039-033, MOLEX #50-57-9004 OR EQUIV.
 FEMALE 4-PIN CONNECTOR. PIN CENTERS=.100".
 CONTACTS: BERG, MOLEX OR EQUIV.
 BERG #47565, MOLEX #16-02-0097
 SELECT GOLD IN MATING AREA, NICKLE PLTD. OVERALL.
 ROHS 2 COMPLIANT

Tolerance (Inches)	 Memory Protection Devices, Inc 200 Broad Hollow Road, Farmingdale, New York 11735		
	Decimal ±.5 (.020)	Scale	Drawn By B.S. Approved By T.B.
Fractional ± .8 (.030)	Title 3 "AA" BATTERY HOLDER FOR MEMORY BACKUP		
Angular ± 3°	Date 05/10/13	Drawing Number BH3AA-211	