



Chipsmall Limited consists of a professional team with an average of over 10 year of expertise in the distribution of electronic components. Based in Hongkong, we have already established firm and mutual-benefit business relationships with customers from,Europe,America and south Asia,supplying obsolete and hard-to-find components to meet their specific needs.

With the principle of “Quality Parts,Customers Priority,Honest Operation,and Considerate Service”,our business mainly focus on the distribution of electronic components. Line cards we deal with include Microchip,ALPS,ROHM,Xilinx,Pulse,ON,Everlight and Freescale. Main products comprise IC,Modules,Potentiometer,IC Socket,Relay,Connector.Our parts cover such applications as commercial,industrial, and automotives areas.

We are looking forward to setting up business relationship with you and hope to provide you with the best service and solution. Let us make a better world for our industry!



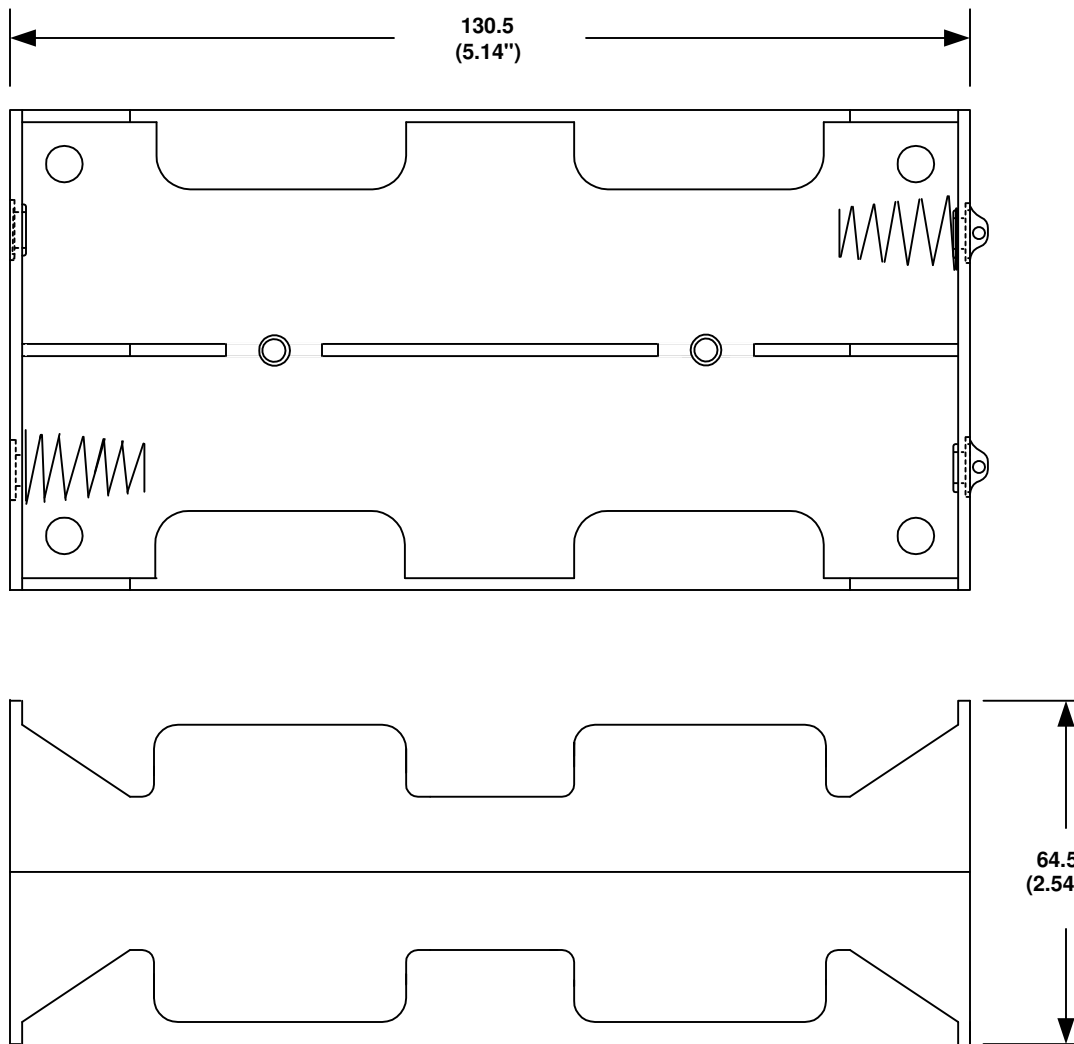
Contact us

Tel: +86-755-8981 8866 Fax: +86-755-8427 6832

Email & Skype: info@chipsmall.com Web: www.chipsmall.com

Address: A1208, Overseas Decoration Building, #122 Zhenhua RD., Futian, Shenzhen, China



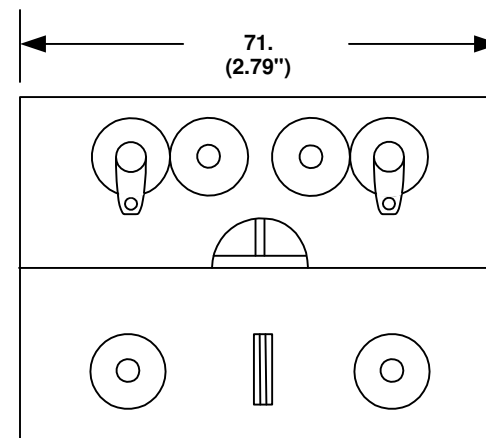


SOLDER LUGS SHOWN ABOVE

DATE	SYM	REVISION RECORD	AUTH	DR.	CK.
7/08/06	A	ADDED "ROHS COMPLIANT"	T.B.	B.S.	

ORDERING CODE BH428D


SOLDER LUGS = L
(6") WIRE LEADS = W
9VOLT TYPE SNAPS = SF
BUMP PLATES = B



SPECIFICATIONS:

- Plastic material - polypropylene
- Flammability rating-UL94 HB, UL file no. E216959
- Temperature Range: -10°C to +100°C
- Springs - nickel plated spring steel
- Wire - 152.4 mm Ref.Long 26 AWG, UL1007, CSA - TR-64, 300V, 80° C.
- Rivets - Brass, nickel plated
- 9 Volts Snaps - Brass, nickel plated
- Contact Resistance: Under 50mΩ for +/- contacts per EIA-540J000
- ROHS COMPLIANT

Note: Dimensions in mm. (inches)

TOLERANCES (EXCEPT AS NOTED)		 Memory Protection Devices, Inc. 200 Broad Hollow Road, Farmingdale, New York 11735	
DECIMAL		SCALE	DRAWN BY S.C.
+ .5 (.020")		-----	APPROVED BY
FRACTIONAL	TITLE	EIGHT "D" CELL HOLDER	
+ .8 (.030")			
ANGULAR	DATE	DRAWING NUMBER	
+ 3°	7/08/2006	BH428DL	