



Chipsmall Limited consists of a professional team with an average of over 10 year of expertise in the distribution of electronic components. Based in Hongkong, we have already established firm and mutual-benefit business relationships with customers from,Europe,America and south Asia,supplying obsolete and hard-to-find components to meet their specific needs.

With the principle of "Quality Parts,Customers Priority,Honest Operation,and Considerate Service",our business mainly focus on the distribution of electronic components. Line cards we deal with include Microchip,ALPS,ROHM,Xilinx,Pulse,ON,Everlight and Freescale. Main products comprise IC,Modules,Potentiometer,IC Socket,Relay,Connector.Our parts cover such applications as commercial,industrial, and automotives areas.

We are looking forward to setting up business relationship with you and hope to provide you with the best service and solution. Let us make a better world for our industry!



Contact us

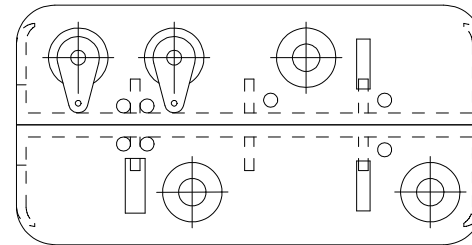
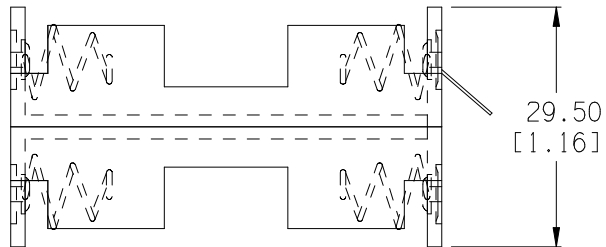
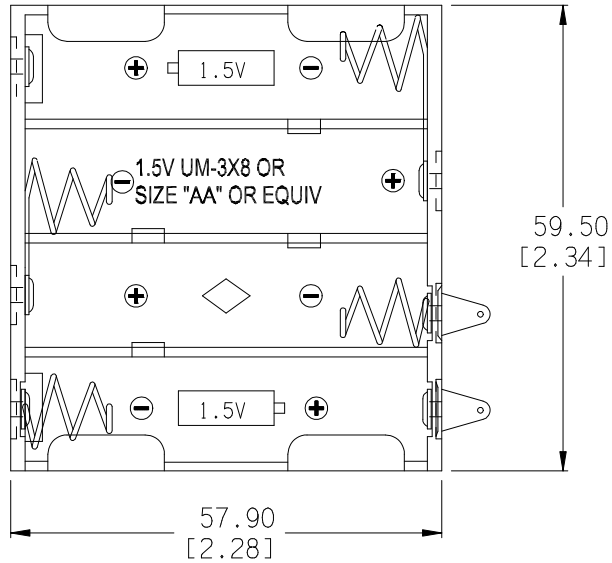
Tel: +86-755-8981 8866 Fax: +86-755-8427 6832

Email & Skype: info@chipsmall.com Web: www.chipsmall.com

Address: A1208, Overseas Decoration Building, #122 Zhenhua RD., Futian, Shenzhen, China




Date	SYM	REVISION RECORD	AUTH	DR.	CK.
2/24/07	A	(1) Redrawn (2) Added "ROHS COMPLIANT"	T.B.	B.S.	



NOTES:
MATERIAL:
HOUSING: POLYPROPYLENE
FLAMMABILITY RATING -UL94 HB, UL FILE NO. E216959
TEMPERATURE RANGE: -10°C to +100°C
SPRINGS: SPRING STEEL, NICKEL PLATED
RIVETS: BRASS, NICKEL PLATED
CONTACT RESISTANCE: UNDER 50m Ohms FOR +/- CONTACTS
PER EIA-540J000

ROHS COMPLIANT

Tolerance (Inches)	 Memory Protection Devices, Inc. 200 Broad Hollow Road, Farmingdale, New York 11735	
Decimal		Scale
±.5 (.020)		Drawn By B.S.
Fractional	Title	
± .8 (.030)	EIGHT "AA" BATTERY HOLDER	
Angular	Date	Drawing Number
± 3°	2/24/07	BH48AAL
		Approved By T.B.