



Chipsmall Limited consists of a professional team with an average of over 10 year of expertise in the distribution of electronic components. Based in Hongkong, we have already established firm and mutual-benefit business relationships with customers from,Europe,America and south Asia,supplying obsolete and hard-to-find components to meet their specific needs.

With the principle of “Quality Parts,Customers Priority,Honest Operation,and Considerate Service”,our business mainly focus on the distribution of electronic components. Line cards we deal with include Microchip,ALPS,ROHM,Xilinx,Pulse,ON,Everlight and Freescale. Main products comprise IC,Modules,Potentiometer,IC Socket,Relay,Connector.Our parts cover such applications as commercial,industrial, and automotives areas.

We are looking forward to setting up business relationship with you and hope to provide you with the best service and solution. Let us make a better world for our industry!



Contact us

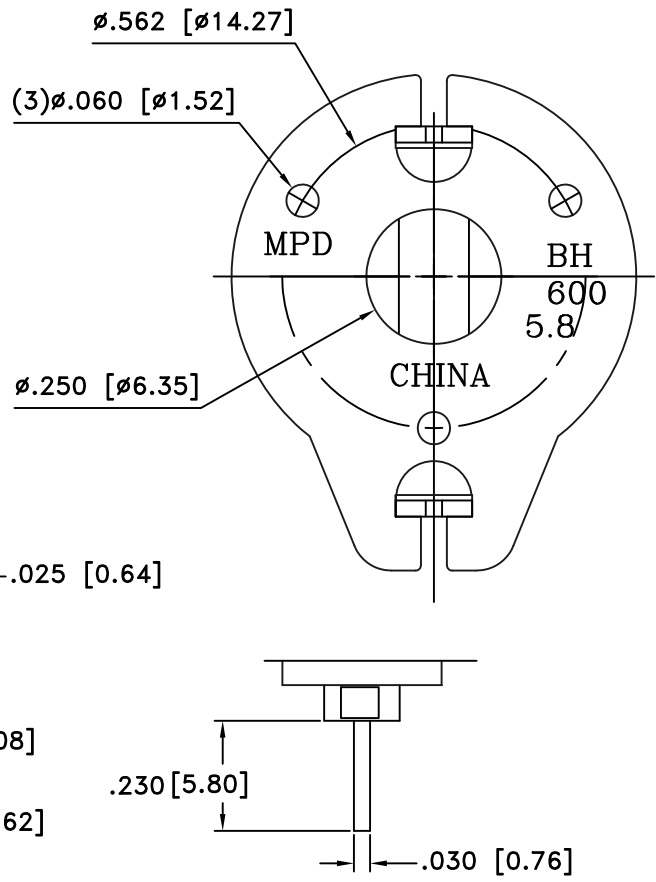
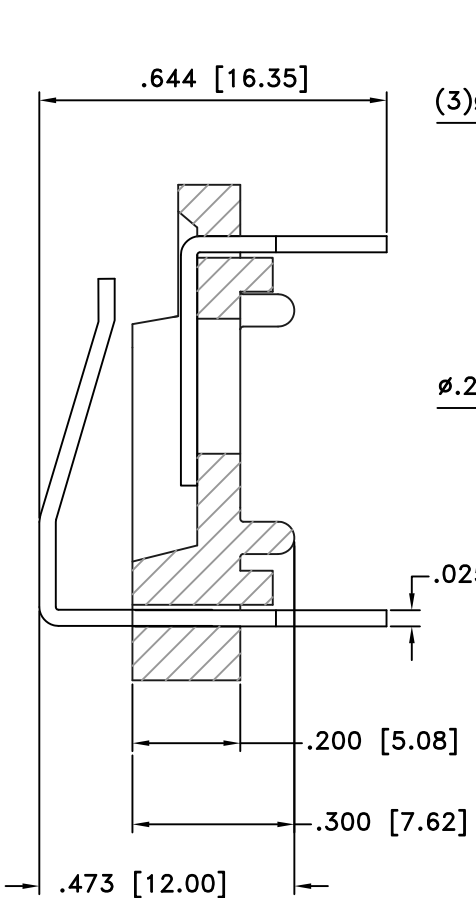
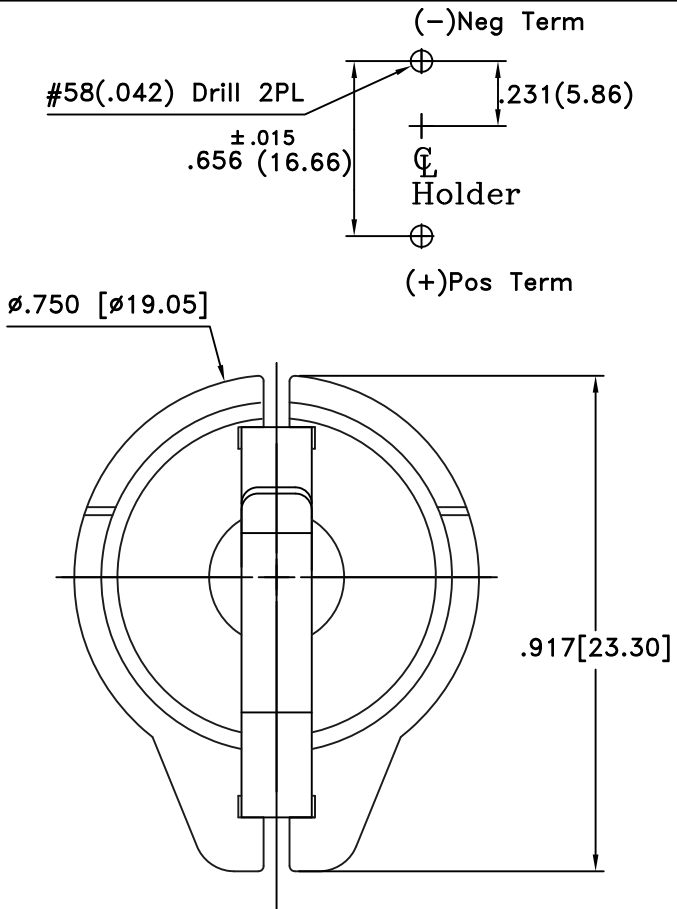
Tel: +86-755-8981 8866 Fax: +86-755-8427 6832

Email & Skype: info@chipsmall.com Web: www.chipsmall.com

Address: A1208, Overseas Decoration Building, #122 Zhenhua RD., Futian, Shenzhen, China




Date	SYM	REVISION RECORD	AUTH	DR.	CK.
10/28/11	B	REMOVED TOL. FROM DIM. 0.230	T.B.	B.S.	
11/04/11	C	CONTACT MATERIAL WAS PHOSPHOR BRONZE	T.B.	B.S.	



Square Contact Detail

SPECIFICATIONS

- *Holder material—Kopa 66, 30% glass filled, color Black
 - *Flammability rating—UL94V-0
 - *Contacts—Stainless steel Spring Temper, Gold Flash Plating
 - *Dielectric strength—560volts/mil at 25°C for 5seconds
 - *Temperature range— -55° to +180°C
 - *Resistance to solvents—Xylene,ethyl,butyl,methyl&proptl alcohol;ethyl acetate,heptane;toluene;refrigerant
- ROHS COMPLIANT

Tolerance (Except as noted)		Memory protection Devices, Inc		
		200 Broad Hollow Road, Farmingdale, New York 11735		
decimal ±.5 (.020)	Title	Scale	Drawn By B.S.	
		XX	Approved By T.B.	
Fractional ± .8 (.030)	16mm DIA. x 5.8mm THICK COIN CELL HOLDER			
Angular ± 3°	Date	Drawing Number		
	11/04/11	BH600-5.8-G		