



Chipsmall Limited consists of a professional team with an average of over 10 year of expertise in the distribution of electronic components. Based in Hongkong, we have already established firm and mutual-benefit business relationships with customers from,Europe,America and south Asia,supplying obsolete and hard-to-find components to meet their specific needs.

With the principle of “Quality Parts,Customers Priority,Honest Operation,and Considerate Service”,our business mainly focus on the distribution of electronic components. Line cards we deal with include Microchip,ALPS,ROHM,Xilinx,Pulse,ON,Everlight and Freescale. Main products comprise IC,Modules,Potentiometer,IC Socket,Relay,Connector.Our parts cover such applications as commercial,industrial, and automotives areas.

We are looking forward to setting up business relationship with you and hope to provide you with the best service and solution. Let us make a better world for our industry!



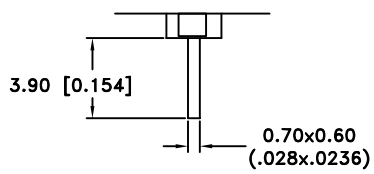
## Contact us

Tel: +86-755-8981 8866 Fax: +86-755-8427 6832

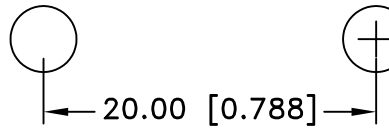
Email & Skype: info@chipsmall.com Web: www.chipsmall.com

Address: A1208, Overseas Decoration Building, #122 Zhenhua RD., Futian, Shenzhen, China



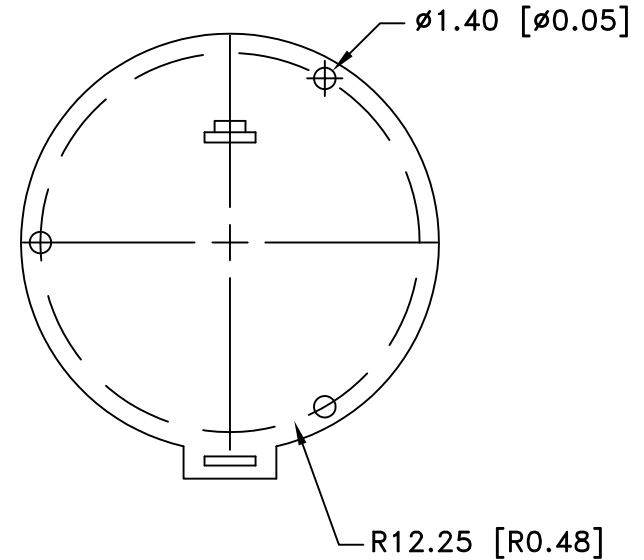
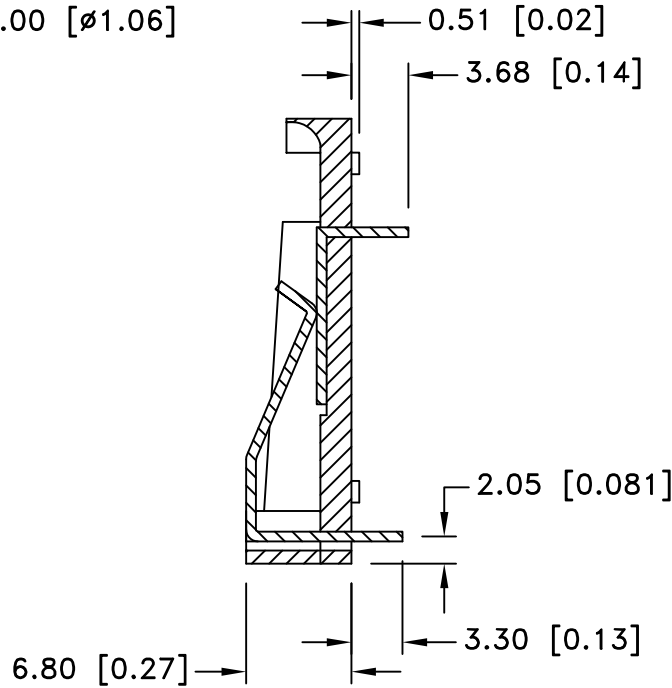
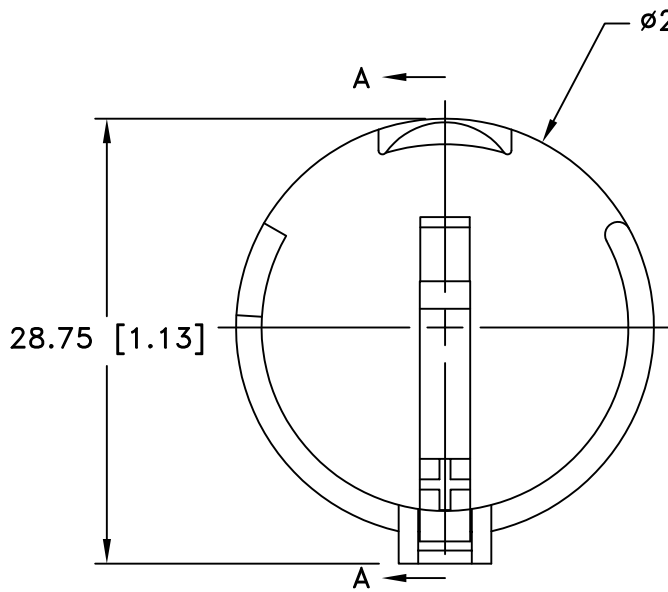


SQUARE CONTACT DETAIL



PCB LAYOUT


Date	SYM	REVISION RECORD	AUTH	DR.	CK.
06/18/05	A	#58 DRILL SIZE WAS Ø1.32 FOR PCB LAYOUT	T.B.	B.S.	
1/28/06	B	#55 DRILL SIZE WAS #58 UPDATED MAT. NOTES ADDED "ROHS COMPLIANT"	T.B.	B.S.	
7/08/06	C	Updated Contact Details	T B	B S	
1/11/08	D	Dim. 3.90 was 3.68 Dim. 0.70 WAS 0.64	T B	B S	



NOTES:

MATERIAL:

HOLDER: NYLON 66 33% G/F, UL94V-HB, UL FILE NO. E41938  
 POS. CONT.: PHOS-BRONZE, 0.0236" THICK, NICKEL PLATED  
 NEG. CONT.: 302/304 STN. STL., 0.0236" THICK, NICKEL PLATED  
 TEMPERATURE RANGE: -40°C TO +235°C  
 ROHS COMPLIANT

Tolerance (Except as noted)	 Memory Protection Devices, Inc 200 Broad Hollow Road, Farmingdale, New York 11735	Scale	Drawn By B.S.
			Approved By T.B.
decimal ±.5 (.020)	Title 23mm BATTERY HOLDER WITH EASY IN-OUT		
Fractional ± .8 (.030)		Date 1/11/08	Drawing Number BH908T-C-HITE
Angular ± 3°			