



Chipsmall Limited consists of a professional team with an average of over 10 year of expertise in the distribution of electronic components. Based in Hongkong, we have already established firm and mutual-benefit business relationships with customers from,Europe,America and south Asia,supplying obsolete and hard-to-find components to meet their specific needs.

With the principle of “Quality Parts,Customers Priority,Honest Operation,and Considerate Service”,our business mainly focus on the distribution of electronic components. Line cards we deal with include Microchip,ALPS,ROHM,Xilinx,Pulse,ON,Everlight and Freescale. Main products comprise IC,Modules,Potentiometer,IC Socket,Relay,Connector.Our parts cover such applications as commercial,industrial, and automotives areas.

We are looking forward to setting up business relationship with you and hope to provide you with the best service and solution. Let us make a better world for our industry!



## Contact us

Tel: +86-755-8981 8866 Fax: +86-755-8427 6832

Email & Skype: info@chipsmall.com Web: www.chipsmall.com

Address: A1208, Overseas Decoration Building, #122 Zhenhua RD., Futian, Shenzhen, China

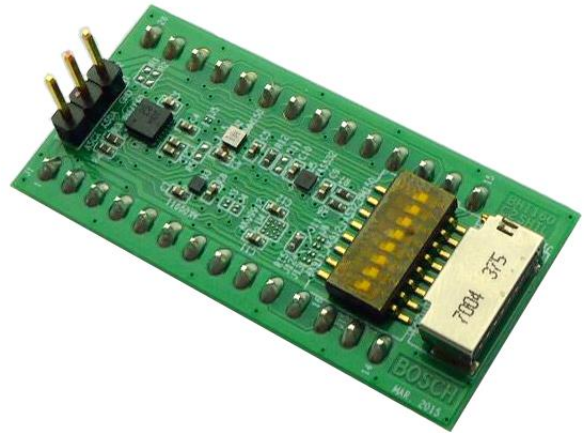


# BHA250 Shuttle Board

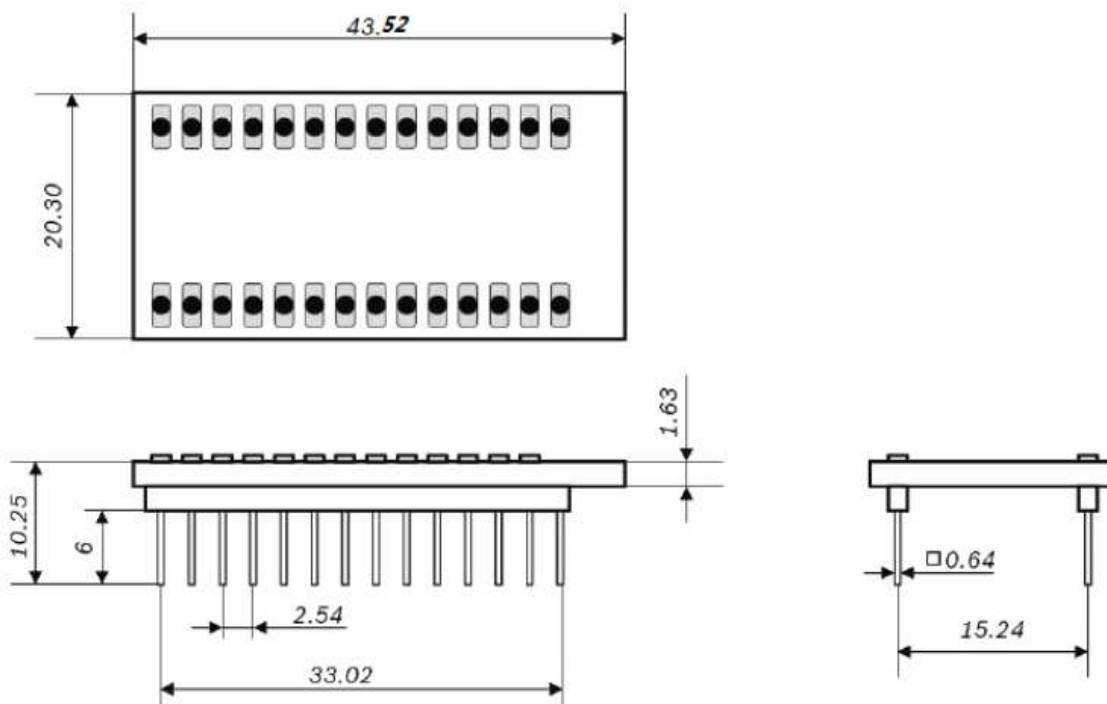
## GENERAL DESCRIPTION

The Bosch Sensortec BHA250 shuttle board is a PCB with the BHA250 Smart Sensor Hub mounted on it. Additionally, it includes up to four external magnetometers, an AKM09911, AKM09912, BMM150, and a YAS532 which can be connected to the BHA250 using the available jumpers on the PCB. All magnetic sensors are enabled by default (Jumper J15 can be used to switch off the power supply of individual sensors, in case this is needed). Additional sensors can be attached to the shuttle board, using the TFR-Card connector interface (J10) provided on the board, next to the jumpers.

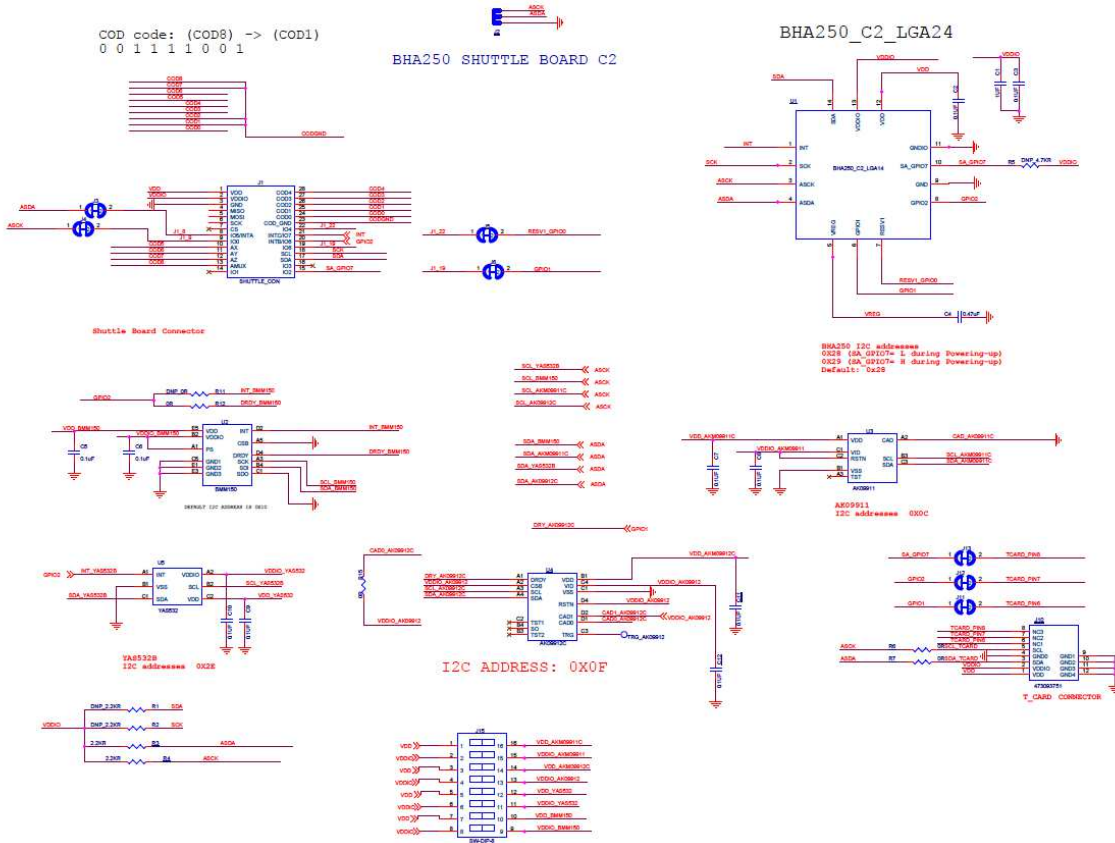
The shuttle board allows easy access to the sensor's pins via a simple socket. As all Bosch Sensortec sensor shuttle boards have identical footprint, they can be plugged into Bosch Sensortec's advanced development tools (e.g. the Development Board or Application Board).



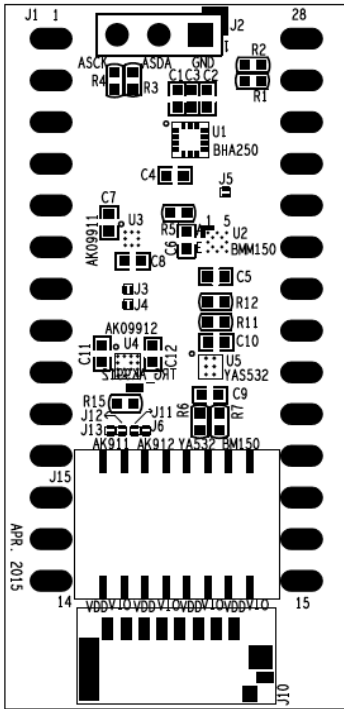
Note: Product photo may differ from real product's appearance.



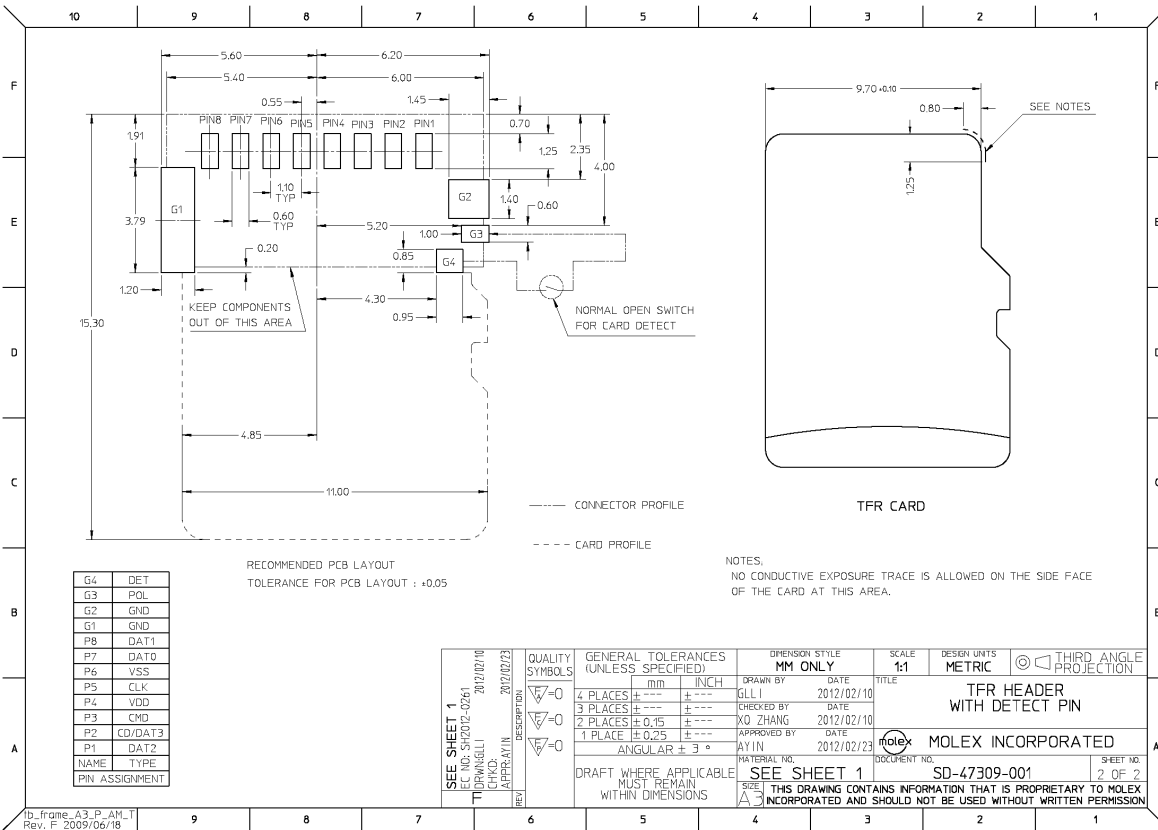
Shuttle board outline dimensions (all dimensions in mm)



BHA250 shuttle board schematic



BHA250 shuttle board layout – placement



## TFR Card Extension Interface

Pin	Name	Description
1	V <sub>DD</sub>	Analog power supply voltage (1.6 V ... 3.3 V)
2	V <sub>DDIO</sub>	Digital I/O power supply voltage (1.6 V ... 3.3 V)
3	SDA	I <sup>2</sup> C serial data (Host interface)
4	GND	Analog power supply ground
5	SCK	I <sup>2</sup> C serial clock (Host interface)
6	ASCK	I <sup>2</sup> C Master serial clock, for connection of external sensors
7	ASDA	I <sup>2</sup> C Master serial data, for connection of external sensors
8	INT	Host interrupt

## DELIVERABLES

- BHA250 shuttle board

### Headquarters Bosch Sensortec GmbH

Gerhard-Kindler-Strasse 9  
72770 Reutlingen · Germany  
Telephone +49 7121 3535 900  
Fax +49 7121 3535 909

[www.bosch-sensortec.com](http://www.bosch-sensortec.com)