



Chipsmall Limited consists of a professional team with an average of over 10 year of expertise in the distribution of electronic components. Based in Hongkong, we have already established firm and mutual-benefit business relationships with customers from,Europe,America and south Asia,supplying obsolete and hard-to-find components to meet their specific needs.

With the principle of “Quality Parts,Customers Priority,Honest Operation,and Considerate Service”,our business mainly focus on the distribution of electronic components. Line cards we deal with include Microchip,ALPS,ROHM,Xilinx,Pulse,ON,Everlight and Freescale. Main products comprise IC,Modules,Potentiometer,IC Socket,Relay,Connector.Our parts cover such applications as commercial,industrial, and automotives areas.

We are looking forward to setting up business relationship with you and hope to provide you with the best service and solution. Let us make a better world for our industry!



Contact us

Tel: +86-755-8981 8866 Fax: +86-755-8427 6832

Email & Skype: info@chipsmall.com Web: www.chipsmall.com

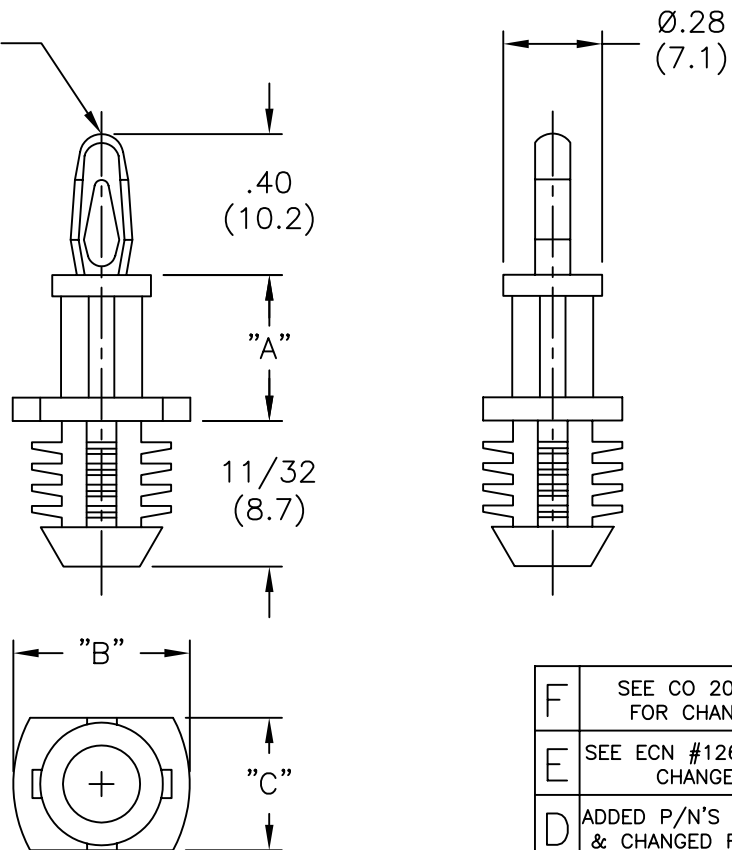
Address: A1208, Overseas Decoration Building, #122 Zhenhua RD., Futian, Shenzhen, China



PART NO.	"A"±.015 (±0.4)	"B"±.015 (±0.4)	"C"±.015 (±0.4)	HOLE DIA. ±.003 (±0.08)	PANEL THICKNESS
BHC-3-01	3/16 (4.8)	7/16 (11.1)	5/16 (7.9)	.312 (7.92)	1/4 (6.4) MIN.
BHC-4-01	1/4 (6.4)				
BHC-6-01	3/8 (9.5)				
BHC-8-01	1/2 (12.7)				
BHC-10-01	5/8 (15.9)				
BHC-12-01	3/4 (19.1)				
BHC-14-01	7/8 (22.2)				
*BHC1-3-01	3/16 (4.8)	3/8 (9.5)	17/64 (6.7)	.250 (6.35)	1/4 (6.4) MIN.
*BHC1-4-01	1/4 (6.4)				
*BHC1-6-01	3/8 (9.5)				
*BHC1-8-01	1/2 (12.7)				
*BHC1-10-01	5/8 (15.9)				
*BHC1-12-01	3/4 (19.1)				
*BHC1-14-01	7/8 (22.2)				

*PARTS AVAILABLE BY SPECIAL ORDER ONLY

TO SNAP-FIT IN $.156 \pm .003$
(4.00±0.08) DIA. HOLE IN A
.062 (1.57) THICK BOARD.

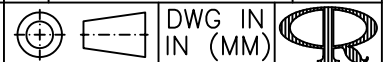


NOTES:

- MATERIAL: NYLON 6/6 UL 94 V-2 (RMS-01).
NYLON 6/6 UL 94 V-0 (RMS-19),
AVAILABLE BY SPECIAL ORDER ONLY.
- COLOR: NATURAL.

F	SEE CO 200035 FOR CHANGES	SK 09.26.07
E	SEE ECN #1262 FOR CHANGES	SK 12.11.06
D	ADDED P/N'S BHC1-... & CHANGED FILE NO.	S.M. 08.13.01
C	MAT'L RMS-19 ADDED	J.L. 12.18.97
B	FILES SEPARATED AND GIVEN FILE NUMBERS	J.B. 08.31.95
A	DIMS' ON LEADERS CHANGED TO MATCH STANDARD	P.B. 06.19.95
R E V	DESCRIPTION	ENGR DATE

TITLE: BLIND HOLE CKT. BD. SUPPORT (BHC)



TOLERANCES UNLESS NOTED .XX=±.010 .XXX=±.005 FRAC=±1/64 ANG=±1°	FILE # BHC	DWN: R.S.	APP:	FINAL
	MAT'L: SEE NOTES	DT: 10-08-93	DT:	
	RE: RICHCO, INC.	RICHCO INC. PO BOX 804238, CHICAGO, 60680 (773) 539-4060		PART # SEE TABLE
				PRINT TYPE CA