



Chipsmall Limited consists of a professional team with an average of over 10 year of expertise in the distribution of electronic components. Based in Hongkong, we have already established firm and mutual-benefit business relationships with customers from,Europe,America and south Asia,supplying obsolete and hard-to-find components to meet their specific needs.

With the principle of “Quality Parts,Customers Priority,Honest Operation,and Considerate Service”,our business mainly focus on the distribution of electronic components. Line cards we deal with include Microchip,ALPS,ROHM,Xilinx,Pulse,ON,Everlight and Freescale. Main products comprise IC,Modules,Potentiometer,IC Socket,Relay,Connector.Our parts cover such applications as commercial,industrial, and automotives areas.

We are looking forward to setting up business relationship with you and hope to provide you with the best service and solution. Let us make a better world for our industry!



Contact us

Tel: +86-755-8981 8866 Fax: +86-755-8427 6832

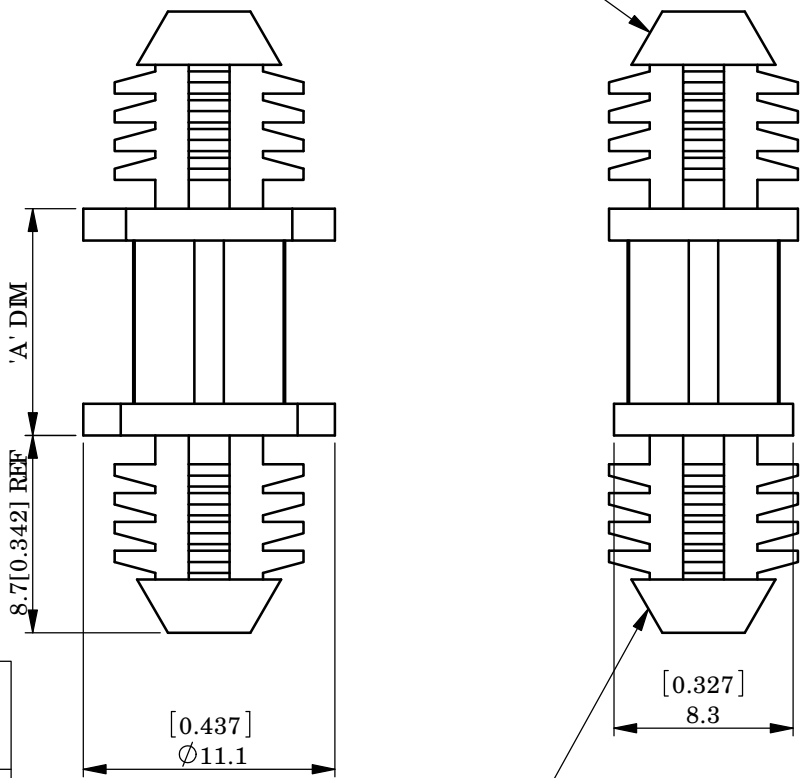
Email & Skype: info@chipsmall.com Web: www.chipsmall.com

Address: A1208, Overseas Decoration Building, #122 Zhenhua RD., Futian, Shenzhen, China



REV.	MODIFICATION.	DATE	DRN
01	NEW DWG, ECN 05-046	07/04/05	NJB
02	CO2010944	18/06/10	SF
03	CO2011108	04/03/11	SF

TO PRESS FIT IN A $\phi 7.92 \pm 0.08$
 [$\phi 0.312 \pm 0.003$] HOLE,
 IN A 6.35 ± 0.08 [0.250 ± 0.003]
 MIN THICK PANEL



TO PRESS FIT IN A $\phi 7.92 \pm 0.08$
 [$\phi 0.312 \pm 0.003$] HOLE,
 IN A 6.35 ± 0.08 [0.250 ± 0.003]
 MIN THICK PANEL

Mat'l: UL94 V2 Nylon 6/6 (RMS-01)
 Color: Natural

PART NUMBER	A DIM
BHDF-3M-01	3[0.118]
BHDF-4M-01	4[0.157]
BHDF-6M-01	6[0.236]
BHDF-8M-01	8[0.314]
BHDF-10M-01	10[0.393]
BHDF-12M-01	12[0.472]
BHDF-14M-01	14[0.551]
BHDF-16M-01	16[0.629]
BHDF-18M-01	18[0.708]
BHDF-20M-01	20[0.787]

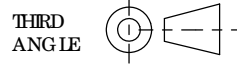
Available in UL94 V0 (RMS-19) material. To order replace -01 with -19.

ALTERNATE UNITS FOR REFERENCE ONLY

INFORMATION CONTAINED IN THIS DOCUMENT IS CONFIDENTIAL TO RICHCO INTERNATIONAL Co., Ltd. AND MAY NOT BE DISCLOSED OR REPRODUCED IN WHOLE OR PART WITHOUT THEIR WRITTEN CONSENT.

RICHCO, INC.
 WWW.RICHCO-INC.COM

GENERAL TOLERANCES ± 0.25 [0.010]
 UNLESS OTHERWISE STATED
 1 DECIMAL PLACE \pm
 2 DECIMAL PLACES \pm
 ANGULAR $\pm 1^\circ$



MATERIAL: SEE TABLE		COLOR: SEE TABLE	
DESCRIPTION: DOUBLE BLIND HOLE CIRCUIT BOARD SUPPORT		PART No.: BHDF-X-YY	
DRG No: 05-037	NPR No:	SHEET SIZE A4	
DRN NJB	DATE 07/04/05	CHKD TC	DATE 07/04/05
SCALE NTS	SHEET No. 1 OF 1		