



Chipsmall Limited consists of a professional team with an average of over 10 year of expertise in the distribution of electronic components. Based in Hongkong, we have already established firm and mutual-benefit business relationships with customers from,Europe,America and south Asia,supplying obsolete and hard-to-find components to meet their specific needs.

With the principle of “Quality Parts,Customers Priority,Honest Operation,and Considerate Service”,our business mainly focus on the distribution of electronic components. Line cards we deal with include Microchip,ALPS,ROHM,Xilinx,Pulse,ON,Everlight and Freescale. Main products comprise IC,Modules,Potentiometer,IC Socket,Relay,Connector.Our parts cover such applications as commercial,industrial, and automotives areas.

We are looking forward to setting up business relationship with you and hope to provide you with the best service and solution. Let us make a better world for our industry!



Contact us

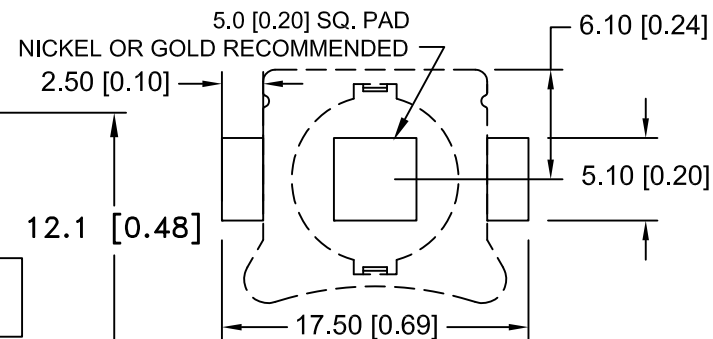
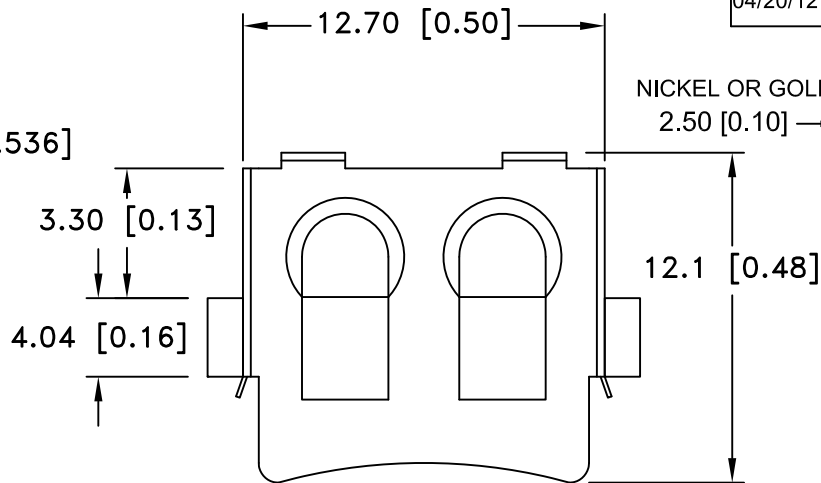
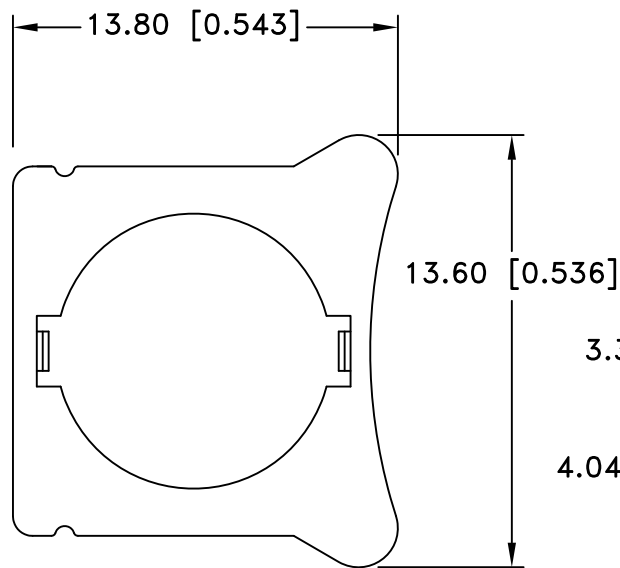
Tel: +86-755-8981 8866 Fax: +86-755-8427 6832

Email & Skype: info@chipsmall.com Web: www.chipsmall.com

Address: A1208, Overseas Decoration Building, #122 Zhenhua RD., Futian, Shenzhen, China

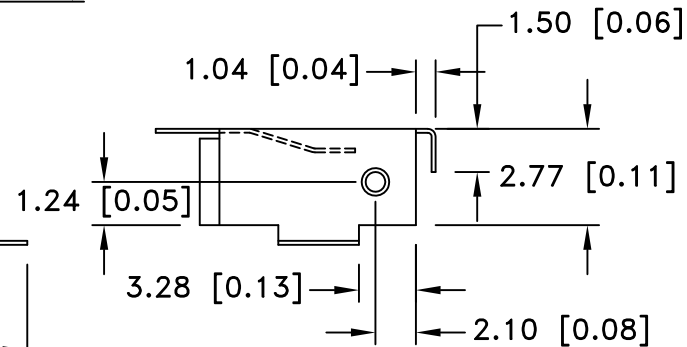
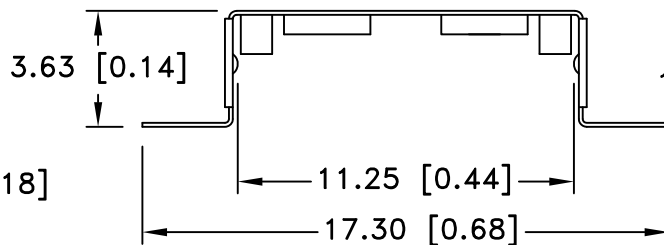
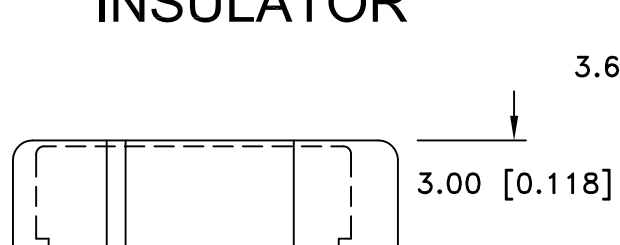


Date	SYM	REVISION RECORD	AUTH	DR.	CK.
12/04/09	A	ADDED DIM. 12.1	T.B.	B.S.	
10/22/10	B	ADDED DIM. 3.28 REDRAWN THE TABS	T.B.	B.S.	
12/10/10	C	UPDATED NOTE ON PCB LAYOUT FOR CENTER PAD	T.B.	B.S.	
3/04/11	D	ADDED DIM. 3.30 AND 1.04	T.B.	B.S.	
04/20/12	E	ADDED INSULATOR OUTLINE IN PCB LAYOUT	T.B.	B.S.	



PCB LAYOUT

INSULATOR



SPECIFICATIONS:

- * Holder material- Polypropylene, AV161 PP, Off White
- * UL Flamability Rating: UL 94-HB File No. E108370
- * Contacts : Phosphor Bronze C5191, Nickel Plated 80-150u thickness
- * Vibration test: 10-50-10 hz swept in 60 seconds
x,y,z direction: 1 hour each direction
- * Result: no dislodgement of the cell or damage
no discontinuity over 10 micro-seconds
- * Shock test: half sine wave acceleration 150g.
6 micro-seconds 3 shock pulses each direction per axis,
total of 18 pulses
- * Result: no evidence of physical damage
- * ROHS COMPLIANT

Tolerance (Except as noted)	MPD	Memory Protection Devices, Inc		
		200 Broad Hollow Road, Farmingdale, New York 11735		
decimal		Scale	Drawn By B.S.	
±.5 (.020)			Approved By T.B.	
Fractional	Title			
± .8 (.030)	CR1025 BATTERY RETAINER WITH INSULATOR			
Angular	Date	Drawing Number		
± 3°	04/20/12	BHX1-1025-SM		