



Chipsmall Limited consists of a professional team with an average of over 10 year of expertise in the distribution of electronic components. Based in Hongkong, we have already established firm and mutual-benefit business relationships with customers from,Europe,America and south Asia,supplying obsolete and hard-to-find components to meet their specific needs.

With the principle of "Quality Parts,Customers Priority,Honest Operation,and Considerate Service",our business mainly focus on the distribution of electronic components. Line cards we deal with include Microchip,ALPS,ROHM,Xilinx,Pulse,ON,Everlight and Freescale. Main products comprise IC,Modules,Potentiometer,IC Socket,Relay,Connector.Our parts cover such applications as commercial,industrial, and automotives areas.

We are looking forward to setting up business relationship with you and hope to provide you with the best service and solution. Let us make a better world for our industry!



Contact us

Tel: +86-755-8981 8866 Fax: +86-755-8427 6832

Email & Skype: info@chipsmall.com Web: www.chipsmall.com

Address: A1208, Overseas Decoration Building, #122 Zhenhua RD., Futian, Shenzhen, China



MODEL NUMBER	DESCRIPTION	SCREWS SUPPLIED	FIGURE
BJ157F-2C	2 HOLE, \varnothing .103 CLEARANCE	—	1
BJ157F-2T	2 HOLE, THREADED 3-56 UNF-2B	—	
BJ157F-2CS	2 HOLE, \varnothing .103 CLEARANCE	PAN HEAD 3-56 X 5/16	
BJ157F-2TS	2 HOLE, THREADED 3-56 UNF-2B	PAN HEAD 3-56 X 5/16	
BJ157F-4C	4 HOLE, \varnothing .103 CLEARANCE	—	2
BJ157F-4T	4 HOLE, THREADED 3-56 UNF-2B	—	
BJ157F-4CS	4 HOLE, \varnothing .103 CLEARANCE	PAN HEAD 3-56 X 5/16	
BJ157F-4TS	4 HOLE, THREADED 3-56 UNF-2B	PAN HEAD 3-56 X 5/16	

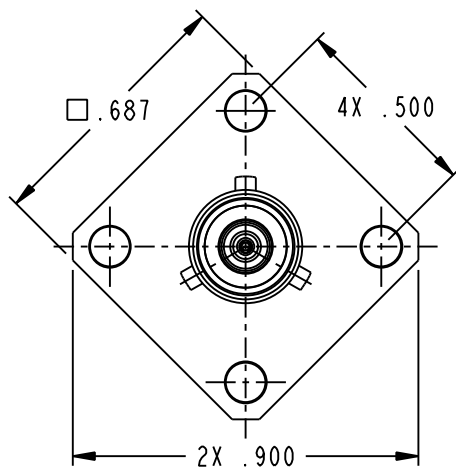
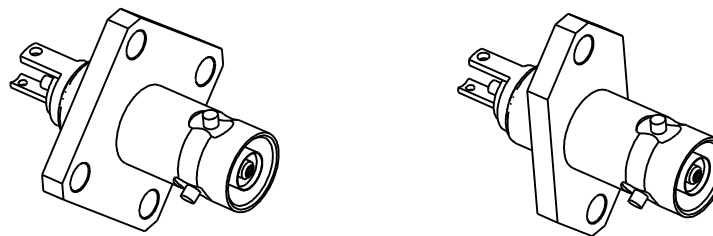


FIGURE 2
BJ157F-4C SHOWN

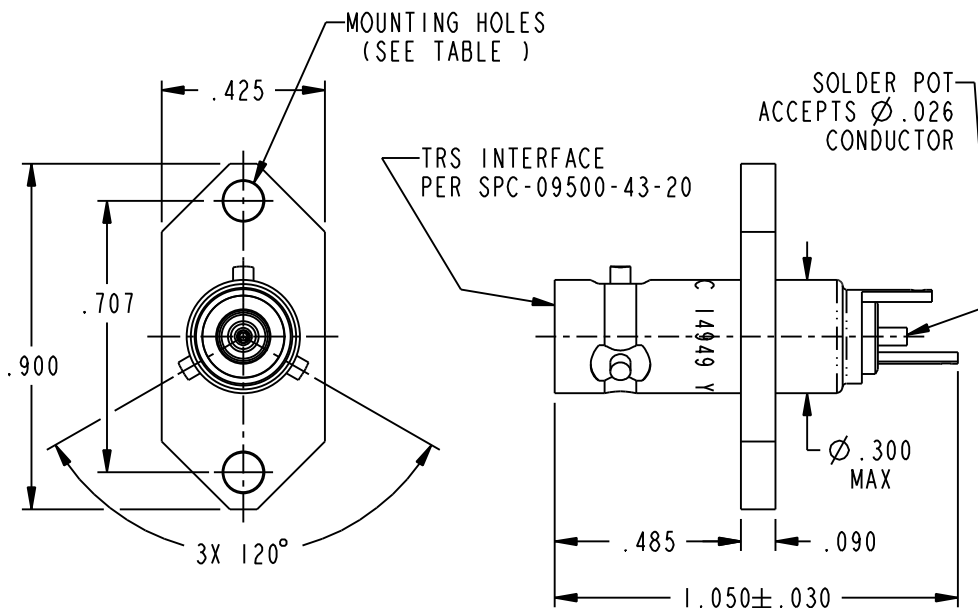


FIGURE 1
BJ157F-2C SHOWN

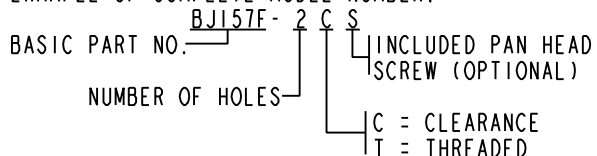
NOTES: UNLESS OTHERWISE SPECIFIED.

1. MATERIAL & FINISH:
 - 1.1 BODY: NICKEL PLATED BRASS
 - 1.2 INSULATOR: PTFE (TEFLON)
 - 1.3 INTERMEDIATE CONTACT: GOLD PLATED BRASS
 - 1.4 DIELECTRIC: PTFE (TEFLON)
 - 1.5 CENTER CONTACT: GOLD PLATED BERYLLIUM COPPER
 - 1.6 SCREWS: STAINLESS STEEL

2. ELECTRICAL:
 - 2.1 FREQUENCY (MAX): 500 MHz
 - 2.2 IMPEDANCE: NON-CONSISTENT

3. PANEL THICKNESS (MAX): .187

4. EXAMPLE OF COMPLETE MODEL NUMBER:



 <small>This PROPRIETARY Document is property of Cinch Connectivity Solutions. It is confidential in nature, non-transferable, and issued with the clear understanding that it is not to be traced or copied without permission and is returnable upon demand.</small> <small>INTERPRET DRAWING IN ACCORDANCE WITH ASME Y14.5-2009.</small>	<small>3RD ANGLE PROJECTION</small> 	TROMPETER	
	<small>RoHS2</small> <input checked="" type="checkbox"/> <small>2011/65/EU</small>	<small>Title:</small> TRS 2 OR 4 HOLE FLANGE MOUNT BULKHEAD MOUNT JACK	<small>Model No.:</small> BJ157F-XXX
<small>UNLESS OTHERWISE SPECIFIED UNITS: INCH</small> .XX ± .02 .XXX ± .010 ANGLES ± 2°	<small>Size</small> A	<small>DO NOT SCALE DRAWING</small>	<small>Date:</small> 6/29/2015