



Chipsmall Limited consists of a professional team with an average of over 10 year of expertise in the distribution of electronic components. Based in Hongkong, we have already established firm and mutual-benefit business relationships with customers from,Europe,America and south Asia,supplying obsolete and hard-to-find components to meet their specific needs.

With the principle of "Quality Parts,Customers Priority,Honest Operation,and Considerate Service",our business mainly focus on the distribution of electronic components. Line cards we deal with include Microchip,ALPS,ROHM,Xilinx,Pulse,ON,Everlight and Freescale. Main products comprise IC,Modules,Potentiometer,IC Socket,Relay,Connector.Our parts cover such applications as commercial,industrial, and automotives areas.

We are looking forward to setting up business relationship with you and hope to provide you with the best service and solution. Let us make a better world for our industry!



Contact us

Tel: +86-755-8981 8866 Fax: +86-755-8427 6832

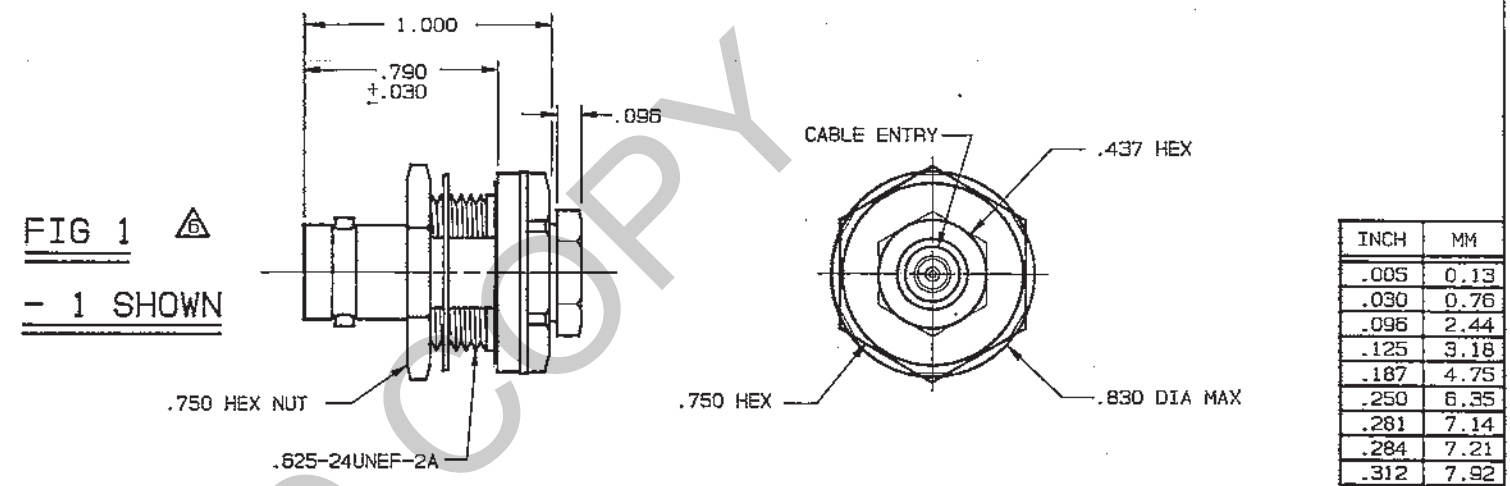
Email & Skype: info@chipsmall.com Web: www.chipsmall.com

Address: A1208, Overseas Decoration Building, #122 Zhenhua RD., Futian, Shenzhen, China

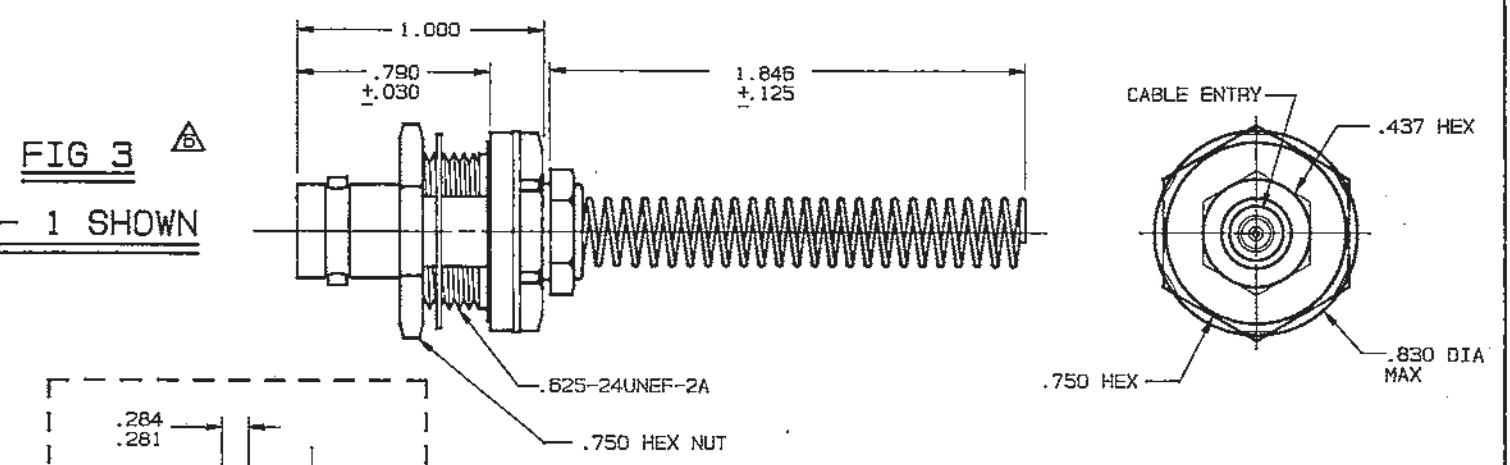
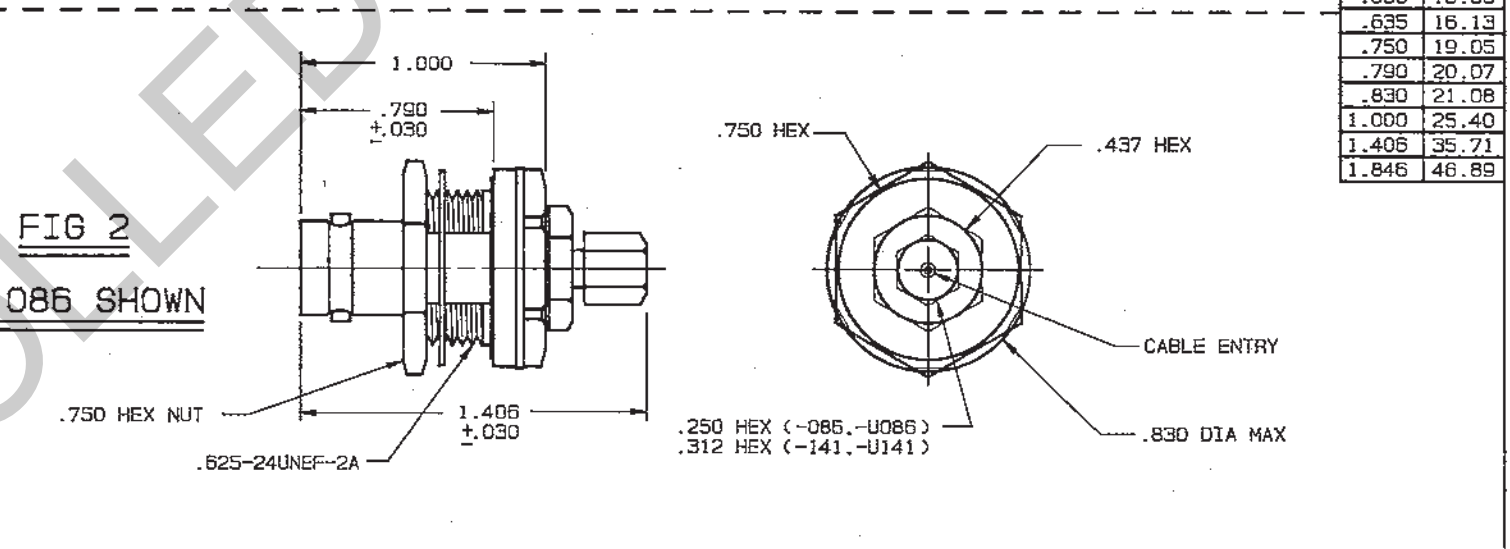


RED INDICATES ORIGINAL

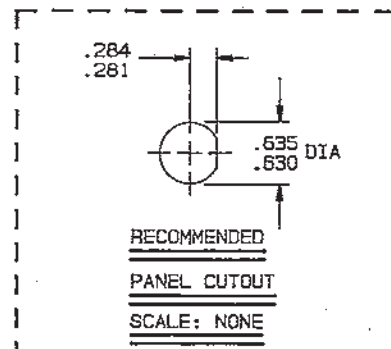
DASH NO	FIG	CABLES ACCOMMODATED	ASSEMBLE PER
-1	1.3	RG-58	TAI-101
-U1		ESSEX 621-715	
-2		RG-59	
-U2			
-2A		BELDEN 8279	
-U2A			
-2B		W.E.CO. 730A	
-U2B			
-3		RG-223	
-U3			
-3A		RG-55	
-U3A			
-4		RG-122	
-U4		BELDEN 8218	
-5		RG-174	
-U5		RG-187	
-5A			
-U5A		RG-196	
-5B		HEWLETT-PACKARD 8120-1107	
-U5B			
-21		RG-303	
-U21			
-22		RG-180	
-U22			
-31		GRUMMAN GC875GP1	
-U31		RG-187 DBL SHLD	
-34		BELDEN 8228	
-U34			
-36		275-3991 MICRODOT	
-U36		616-569 AMPEX	
-37		810 RAYCHEM	
-U37			
-41		RG-304	
-U41	9248 BELDEN		
-44	BRAND-REX B749		
-U44	GORE C06C032		
-53	89555 BELDEN		
-U53			
-63	734A, AT&T		
-U63			
-086	2	RG-405	TAI-130
-U086			
-141		RG-402	
-U141			



INCH	MM
.005	0.13
.030	0.76
.096	2.44
.125	3.18
.187	4.75
.250	6.35
.281	7.14
.312	7.92
.437	11.10
.630	16.00
.635	16.13
.750	19.05
.790	20.07
.830	21.08
1.000	25.40
1.406	35.71
1.846	46.89



- IF BEND RELIEF SPRING REQUIRED (FIG 3) ADD SUFFIX "BR" TO MODEL NO (NOT AVAILABLE WITH CABLE GROUPS -63, -U63, -086, -U086, -141 & -U141)
- FEMALE TYPE BNC COAXIAL INSULATED BULKHEAD JACKS, BOTH 50 & 75 OHM VERSIONS
 - MAX PANEL THK .187
 - DASH NO DENOTES CABLE GROUP EXCEPT "U" PREFIX DENOTES 75 OHM VERSION
 - FINISH: TFS-1A (NICKEL)
 - ALL DIM ARE IN INCHES



QTY	DESCRIPTION	PART NUMBER	ITEM
110-0002	TOL UNLESS SPECIFIED		
105-0717	.XX ±		
105-0623	.XXX ± .005		
305-0361	XXXXX		
155-0393	ANGLE		
108-1016			
NEXT ASSY			

		BJ26/UBJ26	
RF connectivity		BJ26BR/UBJ26BR	
DWN	DKC	7-1-91	MATERIAL
CHK	B.M.	7-19-91	CODE IDENT
ENGR			14949
APPR	JT	7-22-91	DRAWING NO.
			1-0341
			REV
			T
			SCALE 2/1
			DATE 10/13/89
			SHEET 1 OF 2