



Chipsmall Limited consists of a professional team with an average of over 10 year of expertise in the distribution of electronic components. Based in Hongkong, we have already established firm and mutual-benefit business relationships with customers from,Europe,America and south Asia,supplying obsolete and hard-to-find components to meet their specific needs.

With the principle of “Quality Parts,Customers Priority,Honest Operation,and Considerate Service”,our business mainly focus on the distribution of electronic components. Line cards we deal with include Microchip,ALPS,ROHM,Xilinx,Pulse,ON,Everlight and Freescale. Main products comprise IC,Modules,Potentiometer,IC Socket,Relay,Connector.Our parts cover such applications as commercial,industrial, and automotives areas.

We are looking forward to setting up business relationship with you and hope to provide you with the best service and solution. Let us make a better world for our industry!



## Contact us

Tel: +86-755-8981 8866 Fax: +86-755-8427 6832

Email & Skype: info@chipsmall.com Web: www.chipsmall.com

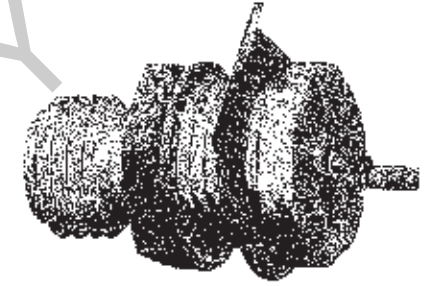
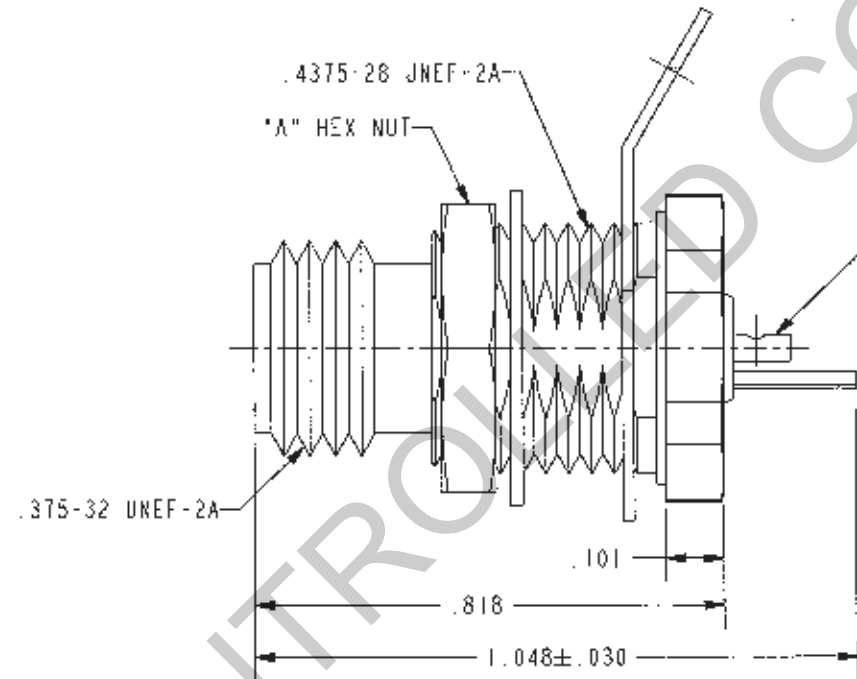
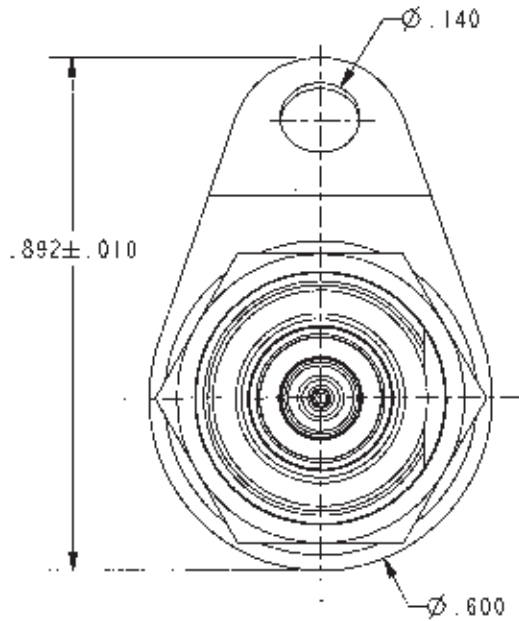
Address: A1208, Overseas Decoration Building, #122 Zhenhua RD., Futian, Shenzhen, China



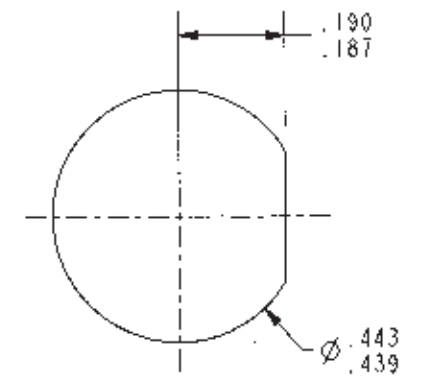
MODEL NO	"A" HEX NUT
BJ3150	.500
BJ3150S	.562

DATA CONTAINED IN THIS DOCUMENT IS  
 PROPRIETARY TO TROMPETER ELECTRONICS INC.  
 AND SHALL NOT BE DISCLOSED, COPIED OR USED  
 FOR REPRODUCTION OR MANUFACTURE WITHOUT  
 EXPRESS WRITTEN PERMISSION.

REVISIONS			
REV	DESCRIPTIONS	DATE	APPROVED
H	REVISED PER ECO # 16693		



SCALE 2/1




RECOMMENDED  
 PANEL CUTOUT  
 SCALE 3/1

RED INDICATES ORIGINAL

4. IF SAFETY WIRE TYPE REQUIRED, ADD SUFFIX "S" TO MODEL NUMBER
3. MAXIMUM PANEL THICKNESS .250
2. FINISH: TFS-1A (NICKEL)
1. SUBMINIATURE TW MAX/TRIAX THREADED REAR MOUNT SOLDER POT BULKHEAD RECEPTACLE

NOTES: UNLESS OTHERWISE SPECIFIED.

INTERPRET DRAWINGS PER MIL-STD-100. DIMENSIONS ARE IN INCHES AND INCLUDE FINISH THICKNESS UNLESS OTHERWISE SPECIFIED.		TOL: UNLESS SPECIFIED. .XX ± .02 .XXX ± .010 ANGLE ± 1°		 a cinch connectivity solutions brand		
DRW J. CARPENTER	07-08-08	MATERIAL	TITLE: BJ3150/BJ3150S			
CHK M.J.	9-16-09	FINISH:	SIZE A	CAGE CODE 14949	DRWING NO. 3-0084	REV. H
APPROVED [Signature]	9/21/09	PROJ. TITLE NO. 3-0084	SCALE 3/1	DATE 9-8-82	SHEET 1C	