



Chipsmall Limited consists of a professional team with an average of over 10 year of expertise in the distribution of electronic components. Based in Hongkong, we have already established firm and mutual-benefit business relationships with customers from,Europe,America and south Asia,supplying obsolete and hard-to-find components to meet their specific needs.

With the principle of "Quality Parts,Customers Priority,Honest Operation,and Considerate Service",our business mainly focus on the distribution of electronic components. Line cards we deal with include Microchip,ALPS,ROHM,Xilinx,Pulse,ON,Everlight and Freescale. Main products comprise IC,Modules,Potentiometer,IC Socket,Relay,Connector.Our parts cover such applications as commercial,industrial, and automotives areas.

We are looking forward to setting up business relationship with you and hope to provide you with the best service and solution. Let us make a better world for our industry!



Contact us

Tel: +86-755-8981 8866 Fax: +86-755-8427 6832

Email & Skype: info@chipsmall.com Web: www.chipsmall.com

Address: A1208, Overseas Decoration Building, #122 Zhenhua RD., Futian, Shenzhen, China



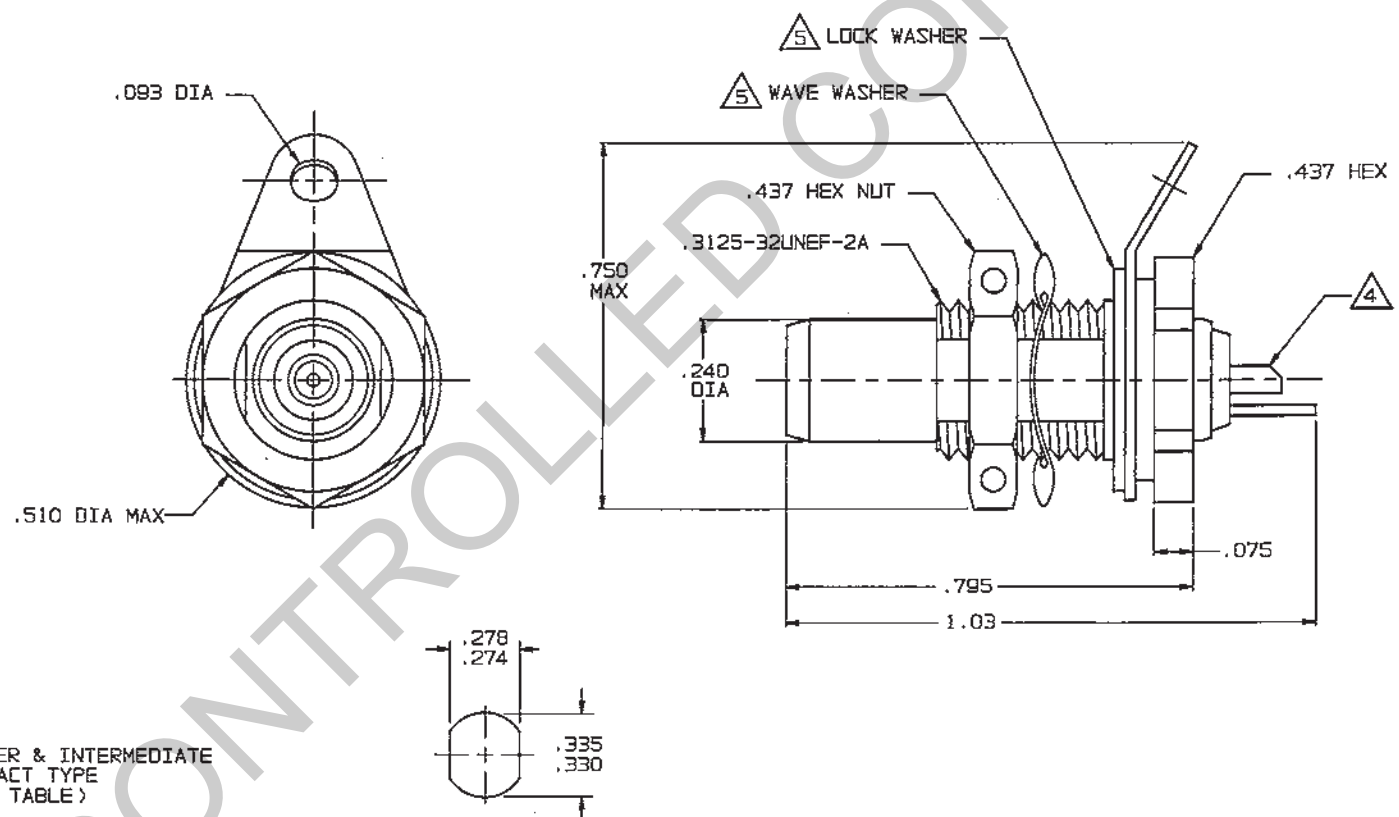
RED INDICATES ORIGINAL

DWG SIZE
B
DATA CONTAINED IN THIS DOCUMENT IS PROPRIETARY TO TROMPETER ELECTRONICS INC. AND SHALL NOT BE DISCLOSED, COPIED OR USED FOR PROCUREMENT OR MANUFACTURE WITHOUT EXPRESS WRITTEN PERMISSION.

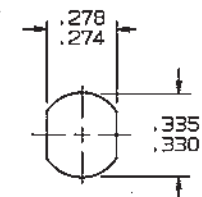
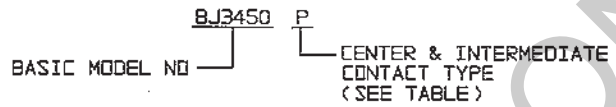
REVISIONS			3-0122		SH 1
REV	EO	DESCRIPTION	DWN	APPROVED	DATE
B	10716	GENERAL UPDATE AND CORRECTED VIEWS ON SHEETS 1 & 2; SEE ECD	DKC	<i>Bm; fa</i>	6/27/94

DASH NO	MODEL NO	CENTER & INTMD CONTACT TYPE
-1	BJ3450P	SOCKET/PIN
-2	BJ3450S	PIN/SOCKET

INCH	MM	INCH	MM
.010	0.25	.278	7.06
.026	0.66	.330	8.38
.03	0.76	.335	8.51
.075	1.91	.437	11.10
.093	2.36	.510	12.95
.125	3.18	.717	18.21
.240	6.10	.750	19.05
.274	6.96	.795	20.19
		1.03	26.16



6. EXAMPLE OF COMPLETE MODEL NO:



RECOMMENDED
PANEL CUTOUT

- 5 MAX PNL THK .125 WITH EITHER LOCKWASHER OR WAVE WASHER
- 4 SOLDER PNT ACCEPTS .026 MAX DIA CONDUCTOR
- 3. CONCENTRIC TWINAX NONINSULATED BULKHEAD MOUNT RECEPTACLE, SOCKET CENTER CONTACT AND PIN INTERMEDIATE CONTACT OR PIN CENTER CONTACT AND SOCKET INTERMEDIATE CONTACT
- 2. FINISH: TFS-111 (500 HOURS SALT SPRAY)
- 1. ALL DIM ARE IN INCHES

QTY	DESCRIPTION	PART NUMBER	ITEM
TOL UNLESS SPECIFIED .XX ± .03 .XXX ± .010 .XXXX ± ANGLE±	TROMPETER RF connectivity <small>a cinch connectivity solutions brand</small>	BJ3450P/S	
DWN DKC 6-16-94	MATERIAL	CODE IDENT 14949	DRAWING NO. 3-0122
CHK <i>Bm</i> 6-24-94			REV B
ENGR	SCALE 4/1	DATE 12-7-87	SHEET 1 OF 2
NEXT ASSY	APPR <i>fa</i> 6/27/94		