



Chipsmall Limited consists of a professional team with an average of over 10 year of expertise in the distribution of electronic components. Based in Hongkong, we have already established firm and mutual-benefit business relationships with customers from,Europe,America and south Asia,supplying obsolete and hard-to-find components to meet their specific needs.

With the principle of "Quality Parts,Customers Priority,Honest Operation,and Considerate Service",our business mainly focus on the distribution of electronic components. Line cards we deal with include Microchip,ALPS,ROHM,Xilinx,Pulse,ON,Everlight and Freescale. Main products comprise IC,Modules,Potentiometer,IC Socket,Relay,Connector.Our parts cover such applications as commercial,industrial, and automotives areas.

We are looking forward to setting up business relationship with you and hope to provide you with the best service and solution. Let us make a better world for our industry!



## Contact us

Tel: +86-755-8981 8866 Fax: +86-755-8427 6832

Email & Skype: info@chipsmall.com Web: www.chipsmall.com

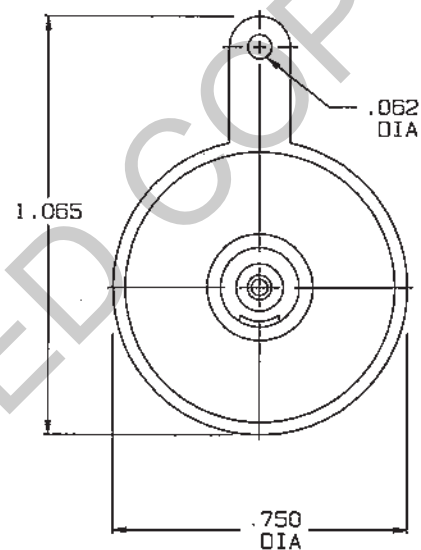
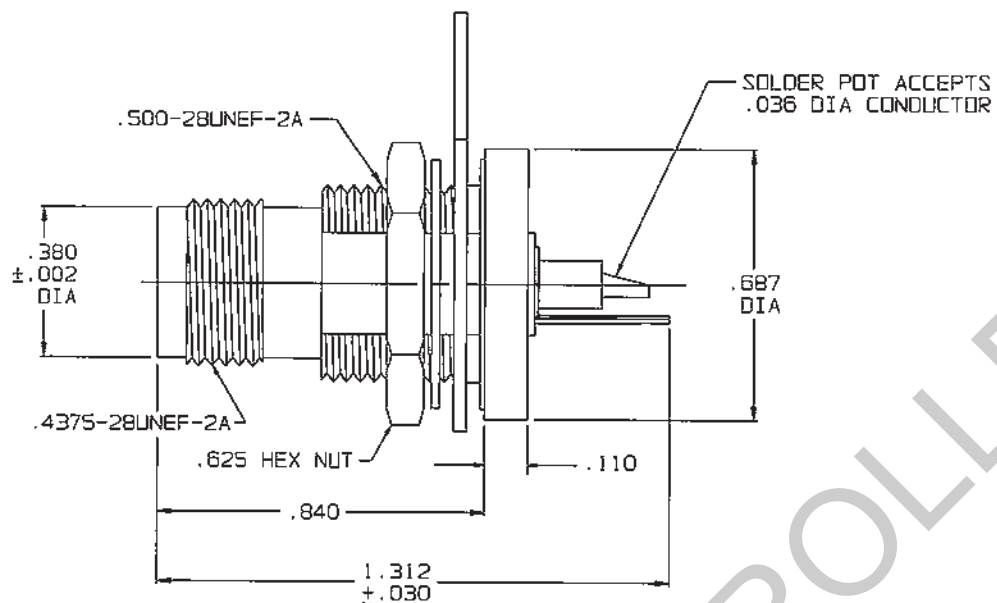
Address: A1208, Overseas Decoration Building, #122 Zhenhua RD., Futian, Shenzhen, China



DATA CONTAINED IN THIS DOCUMENT IS PROPRIETARY TO TROMPETER ELECTRONICS INC. AND SHALL NOT BE DISCLOSED, COPIED OR USED FOR PROCUREMENT OR MANUFACTURE WITHOUT EXPRESS WRITTEN PERMISSION OF TROMPETER ELECTRONICS INC.

REVISIONS		3-0131	SH 1
REV	DESCRIPTION	DATE	APPROVED
H	REVISED PER ECO # 13617	11/7/00	

**RED INDICATES ORIGINAL**



7. EXAMPLE OF COMPLETE MODEL NO.

BJ376 S  
 BASIC MODEL NO. | SAFETY WIRE TYPE  
 (OMIT IF NO REQ'D)

△ WHEN CONNECTOR IS SUPPLIED TO MILITARY PART NO. M49142/10-0001 (REF: TEI P/N = M3-0131)

- a) ALL PARTS NORMALLY PLATED TFS-1A OR TFS-1U (NICKEL) ARE TO BE PLATED TFS-1M (SILVER)
- b) MARK PART "M49142/10-0001 14949"
- c) QUALITY CONFORMANCE INSPECTION SHALL BE PER MIL-C-49142 SECTION 4.5

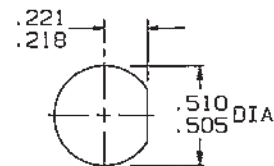
5. IF SAFETY WIRE TYPE REQD, ADD SUFFIX "S" TO MODEL NO

4. MAX PANEL THK .240 W/O SOLDER LUG  
.208 THK W/SOLDER LUG

3. CONCENTRIC TWINAX/TRIAX TRB  
REAR MOUNT SOLDER POT  
BULKHEAD RECEPTACLE

2. FINISH: TFS-1A (NICKEL) △

1. ALL DIM ARE IN INCHES



RECOMMENDED  
 PANEL CUTOFF  
 SCALE: 1/1

INTERPRET DRAWING PER MIL-STD-100 DIMENSIONS ARE IN INCHES AND INCLUDE FINISH THICKNESS UNLESS OTHERWISE SPECIFIED		TOL: UNLESS SPECIFIED .XX ± .02 .XXX ± .010 .XXXX ± .015 ANGLES		 a cinch connectivity solutions brand	
DRAWN R L	DATE 11/3/00	MATERIAL: ---			
CHECKED 	DATE 11/5/00	FINISH: ---		SIZE A	CAGE CODE 14949
APPROVED 	DATE 11-5-00	DO NOT SCALE DWG		DRAWING NO. 3-0131	REV. H
NEXT ASSY	CAD FILE NO. 3-0131H1	SCALE 2/1	DATE: 12/15/87	SHEET 1C	