



Chipsmall Limited consists of a professional team with an average of over 10 year of expertise in the distribution of electronic components. Based in Hongkong, we have already established firm and mutual-benefit business relationships with customers from,Europe,America and south Asia,supplying obsolete and hard-to-find components to meet their specific needs.

With the principle of “Quality Parts,Customers Priority,Honest Operation,and Considerate Service”,our business mainly focus on the distribution of electronic components. Line cards we deal with include Microchip,ALPS,ROHM,Xilinx,Pulse,ON,Everlight and Freescale. Main products comprise IC,Modules,Potentiometer,IC Socket,Relay,Connector.Our parts cover such applications as commercial,industrial, and automotives areas.

We are looking forward to setting up business relationship with you and hope to provide you with the best service and solution. Let us make a better world for our industry!



Contact us

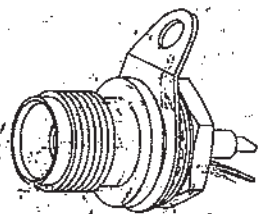
Tel: +86-755-8981 8866 Fax: +86-755-8427 6832

Email & Skype: info@chipsmall.com Web: www.chipsmall.com

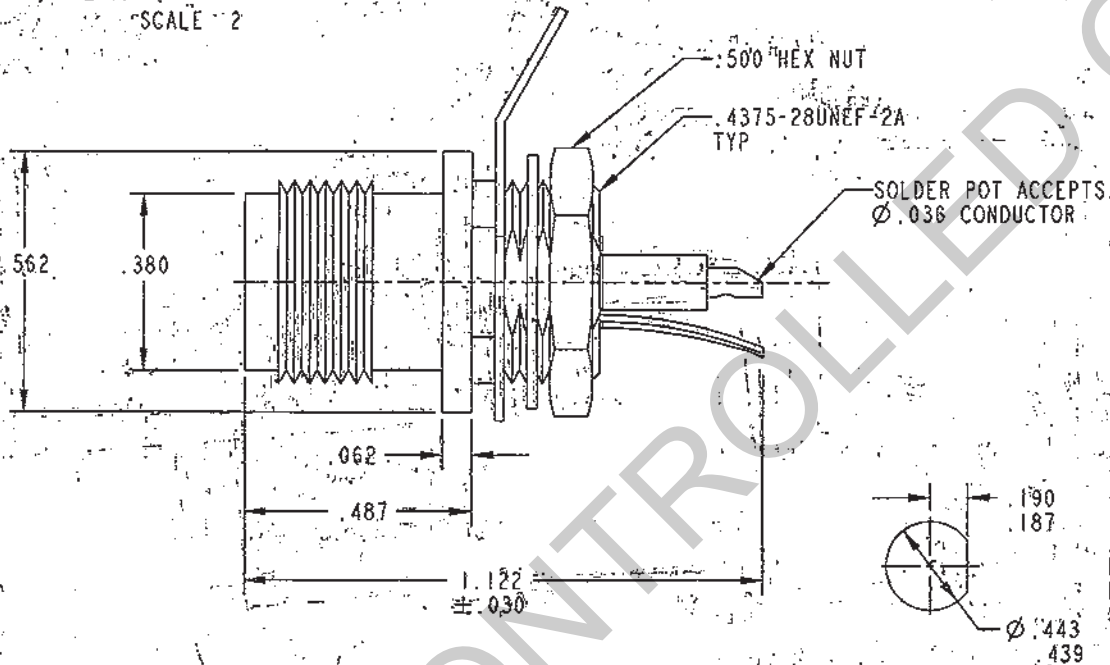
Address: A1208, Overseas Decoration Building, #122 Zhenhua RD., Futian, Shenzhen, China



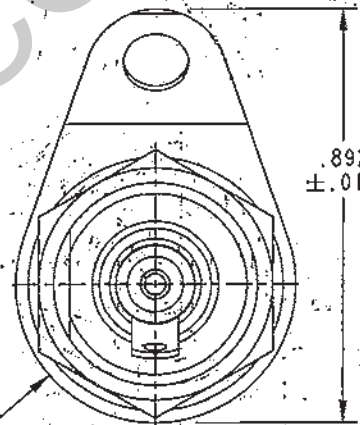
RED INDICATES ORIGINAL



SCALE 2



REVISIONS			305-0013	SH 1	
REV	ECO NO.	DESCRIPTION	DWN	APPROVED	DATE
L	11328	REDRAWN IN PRO/E WITH CHANGE: SH. 2 "D" FLAT PIN DEPTH WAS .200 B/W P/N 8-2149-3 WAS 8-2149-2	SAC	<i>FW</i>	12/21/95



INCH	MM
.005	0.13
.015	0.38
.030	0.76
.036	0.91
.062	1.57
.125	3.18
.187	4.75
.190	4.83
.386	9.65
.439	11.15
.443	11.25
.487	12.37
.500	12.70
.562	14.27
.600	15.24
.892	22.66
1.122	28.50

RECOMMENDED PANEL CUTOUT SCALE 2/1

4. MAX PANEL THK .125

3. SOCKET CONTACT CONCENTRIC TWINAX/TRIAX TRT SOLDER POT BULKHEAD MOUNT RECEPTACLE

2. FINISH: TFS-1A (NICKEL)

1. ALL DIM ARE IN INCHES

QTY	DESCRIPTION		PART NUMBER		ITEM		
	TOL UNLESS SPECIFIED				BJ377		
XX	±	.005					
XXX	±						
XXXX	±						
ANGLE	±						
22-04	DWG	SAG	12-6-95	MATERIAL	CODE IDENT	DRAWING NO.	REV
105-1048	CHK	<i>DMM</i>	12-14-95	—	14949	305-0013	L
305-0398	ENGR						
NEXT ASSY	APPR	<i>FW</i>	12/21/95	SCALE 4/1	DATE	11-12-68	SHEET 1C