



Chipsmall Limited consists of a professional team with an average of over 10 year of expertise in the distribution of electronic components. Based in Hongkong, we have already established firm and mutual-benefit business relationships with customers from,Europe,America and south Asia,supplying obsolete and hard-to-find components to meet their specific needs.

With the principle of “Quality Parts,Customers Priority,Honest Operation,and Considerate Service”,our business mainly focus on the distribution of electronic components. Line cards we deal with include Microchip,ALPS,ROHM,Xilinx,Pulse,ON,Everlight and Freescale. Main products comprise IC,Modules,Potentiometer,IC Socket,Relay,Connector.Our parts cover such applications as commercial,industrial, and automotives areas.

We are looking forward to setting up business relationship with you and hope to provide you with the best service and solution. Let us make a better world for our industry!



## Contact us

Tel: +86-755-8981 8866 Fax: +86-755-8427 6832

Email & Skype: info@chipsmall.com Web: www.chipsmall.com

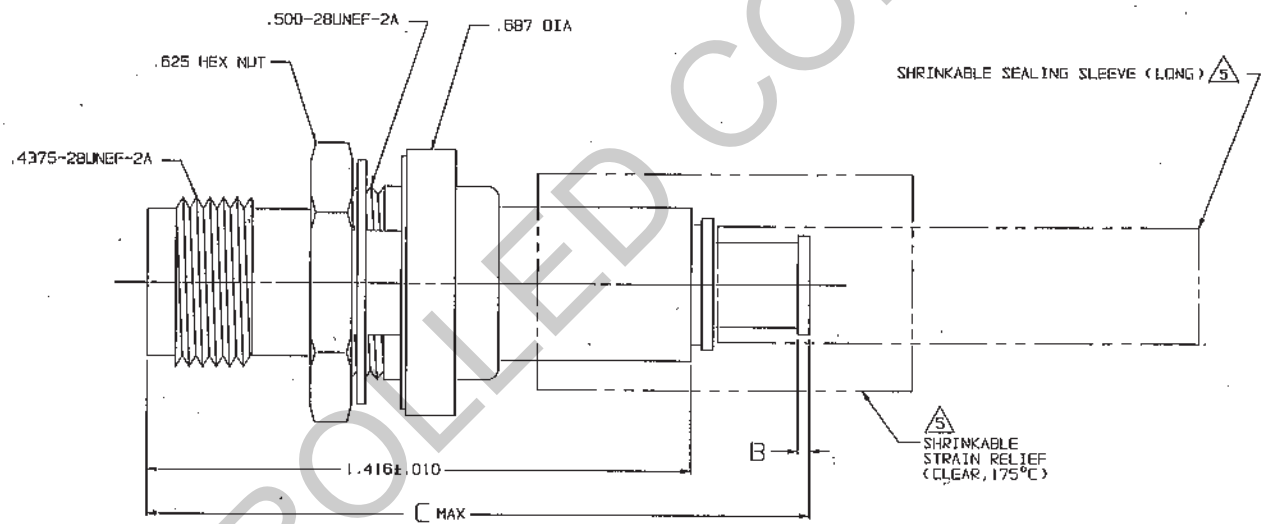
Address: A1208, Overseas Decoration Building, #122 Zhenhua RD., Futian, Shenzhen, China



DATA CONTAINED IN THIS DOCUMENT IS PROPRIETARY TO TROMPETER ELECTRONICS INC. AND SHALL NOT BE DISCLOSED, COPIED OR USED FOR PROCUREMENT OR MANUFACTURE WITHOUT EXPRESS WRITTEN PERMISSION.

REV		EQ		DESCRIPTION	DWN	APPROVED	DATE
P	12085	-306	TAI-218	WAS TAI-168; ADDED -308 & -309; SEE ECO	DKC		

DASH NO	CABLES ACCOMMODATED	A HEX	B OIM	C MAX	ASSEMBLE PER
-201	M17/176-00002	.344	.030	1.80	TAI-166
-202	TWC-70-1				
-203	TWC-124-1A				
-204	10602, RAYCHEM				
-205	TWAC-70-1F2				
-206	702600130, RAYCHEM				
-207	83310, BELDEN				
-208	202-3927, MICRODOT				
-209	202-3942, MICRODOT				
-210	8451, BELDEN				
-211	202-3934, MICRODOT				
-212	2524E0114, RAYCHEM				
-213	TWC-70-2				
-214	TWC-124-2				
-215	6L982, TIMES				
-216	BL1242, TIMES				
-217	GC875TM24H, GRUMMAN				
-218	EOP221BBB, RAYCHEM				
-219	252601114, RAYCHEM				
-220	GC875RR1, GRUMMAN				
-221	10614, RAYCHEM				
-222	10613, RAYCHEM				
-223	HMS2-1149, HUGHES				
-301	GC875GC1, GRUMMAN				
-302	GC875GB1, GRUMMAN				
-303	752BA5314 RAYCHEM				
-304					
-305	M17/177-00001 THERMATICS				
-306	TRC-50-2 M17/134-00002				
-307	TRC-75-1				
-308	TRC-75-2				
-309	TRC-50-1				



FOR TOOL CRIMP CONNECTOR QUALIFIED TO MIL-C-49142 SEE DRAWING 3-0299 (BJ379MC)

6. EXAMPLE OF COMPLETE MODEL NO:

BJ379C-202  
BASIC MODEL NO. DASH NO (TABLE 1)

1 SHRINKABLE STRAIN RELIEF AND/OR SHRINKABLE SEALING SLEEVE SUPPLIED LOOSE AS FOLLOWS:

- a. CABLE GROUPS -201 THROUGH -210, -217 THROUGH -303, -305, -307 & -309
  - 1 SHRINKABLE STRAIN RELIEF (1.00 LONG)
  - 1 SHRINKABLE SEALING SLEEVE (1.25 LONG)
- b. CABLE GROUPS -211 THROUGH -216, -306 & -308
  - 1 SHRINKABLE STRAIN RELIEF (1.75 LONG)

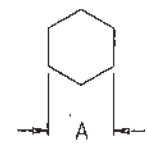
4. MAX PANEL THK .109

3. CONCENTRIC TWINAX/TRIAX TRT, FULL CRIMP BULKHEAD MOUNT CABLE RECEPTACLE

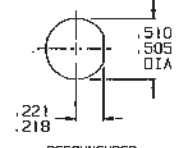
2. FINISH; TFS-1A (NICKEL)

1. ALL DIMENSIONS ARE IN INCHES

-202 SHOWN



RECOMMENDED  
HEX CRIMP  
SCALE: 2/1



RECOMMENDED  
PANEL CUTOUT  
SCALE: 1/1

INCH	MM
.005	0.13
.010	0.25
.030	0.76
.109	2.77
.218	5.54
.221	5.61
.344	8.74
.505	12.83
.510	12.95
.625	15.88
.687	17.45
1.00	25.40
1.25	31.75
1.416	35.97
1.85	39.37
1.75	44.45
1.80	45.72

QTY	DESCRIPTION	PART NUMBER	ITEM
TOL UNLESS SPECIFIED XX ± XXX ±.005 XXXX ± UNLESS	<b>TROMPETER</b> RF connectivity	BJ379C	
DWN CHK ENGR APPR	DKC B-1-97 MATERIAL CODE IDENT DRAWING NO. REV	14949 3-0208 P	
NEXT ASSY	SCALE 4/1	DATE 11/1/88	SHEET 1 OF 2