



Chipsmall Limited consists of a professional team with an average of over 10 year of expertise in the distribution of electronic components. Based in Hongkong, we have already established firm and mutual-benefit business relationships with customers from,Europe,America and south Asia,supplying obsolete and hard-to-find components to meet their specific needs.

With the principle of "Quality Parts,Customers Priority,Honest Operation,and Considerate Service",our business mainly focus on the distribution of electronic components. Line cards we deal with include Microchip,ALPS,ROHM,Xilinx,Pulse,ON,Everlight and Freescale. Main products comprise IC,Modules,Potentiometer,IC Socket,Relay,Connector.Our parts cover such applications as commercial,industrial, and automotives areas.

We are looking forward to setting up business relationship with you and hope to provide you with the best service and solution. Let us make a better world for our industry!



Contact us

Tel: +86-755-8981 8866 Fax: +86-755-8427 6832

Email & Skype: info@chipsmall.com Web: www.chipsmall.com

Address: A1208, Overseas Decoration Building, #122 Zhenhua RD., Futian, Shenzhen, China

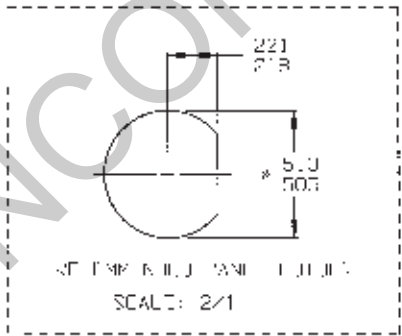
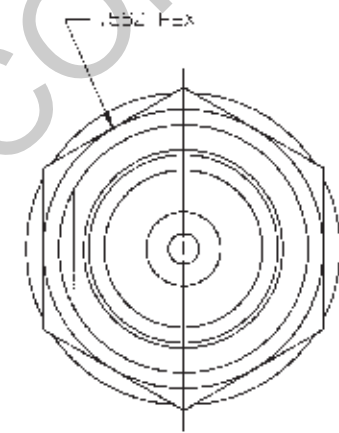
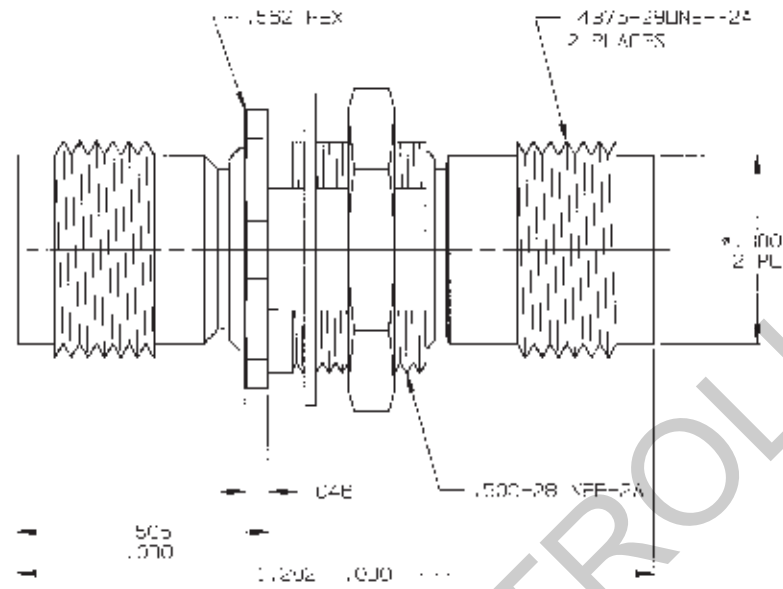


RED INDICATES ORIGINAL

THIS DRAWING IS THE PROPERTY OF TROMPETER RF CONNECTIVITY. IT IS TO BE USED ONLY FOR THE PROJECT AND QUANTITY SPECIFIED HEREON. IT IS TO BE RETURNED TO TROMPETER RF CONNECTIVITY IMMEDIATELY UPON COMPLETION OF THE PROJECT. IT IS NOT TO BE REPRODUCED OR TRANSMITTED IN ANY FORM OR BY ANY MEANS, ELECTRONIC OR MECHANICAL, INCLUDING PHOTOCOPYING, RECORDING, OR BY ANY INFORMATION STORAGE AND RETRIEVAL SYSTEM.

REVISIONS		1-0048	RF
REV	DESCRIPTION	DATE	APPROVED
1	REVISED PER I #10001	2/11/16	

DATE	BY	CHKD
-	ELB	SD
-7	UJL	75



1. SOCKET CONTACT AXIAL TYPED INSULATED FOLD THRU BULKHEAD JACK 50 AND 75 JHM VERSIONS
2. MAX WALL THK 1.0E
3. ALL DIM ARE IN INCHS

DRAWN: [Signature] CHECKED: [Signature] APPROVED: [Signature]		DATE: 4-18-11 VED: [Signature]	TITLE: TFS-2A (NICKEL) UNIT: 14949		PART: E_48/JB_48
ORDER NUMBER: 1-0048		DATE: 2-11-16	REV: 1	SHEET: 1 OF 1	TOTAL SHEETS: 1