



Chipsmall Limited consists of a professional team with an average of over 10 year of expertise in the distribution of electronic components. Based in Hongkong, we have already established firm and mutual-benefit business relationships with customers from,Europe,America and south Asia,supplying obsolete and hard-to-find components to meet their specific needs.

With the principle of “Quality Parts,Customers Priority,Honest Operation,and Considerate Service”,our business mainly focus on the distribution of electronic components. Line cards we deal with include Microchip,ALPS,ROHM,Xilinx,Pulse,ON,Everlight and Freescale. Main products comprise IC,Modules,Potentiometer,IC Socket,Relay,Connector.Our parts cover such applications as commercial,industrial, and automotives areas.

We are looking forward to setting up business relationship with you and hope to provide you with the best service and solution. Let us make a better world for our industry!



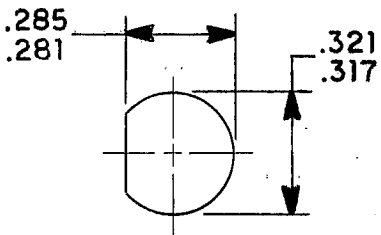
Contact us

Tel: +86-755-8981 8866 Fax: +86-755-8427 6832

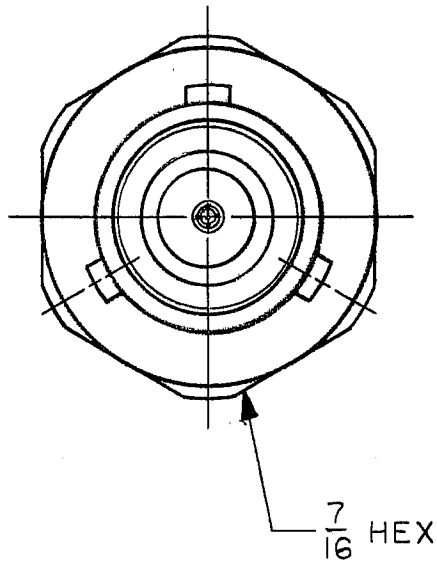
Email & Skype: info@chipsmall.com Web: www.chipsmall.com

Address: A1208, Overseas Decoration Building, #122 Zhenhua RD., Futian, Shenzhen, China

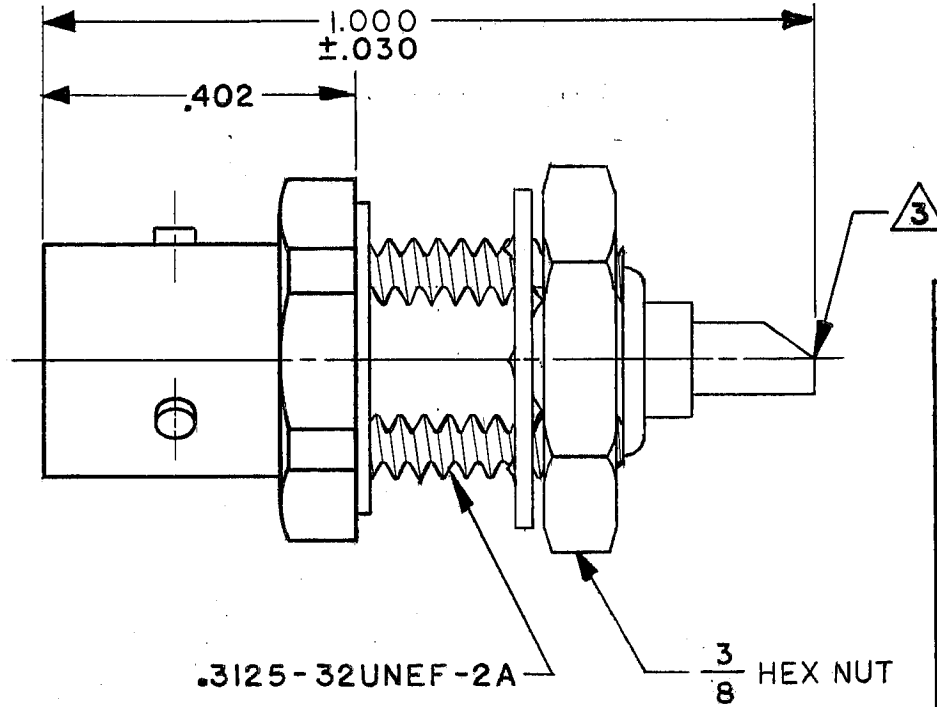




**RECOMMENDED
PANEL CUTOUT
SCALE: 2/1**



REVISIONS			1000-0403	SH 1	
REV	EO	DESCRIPTION	DWN	APPROVED	DATE
A	2465	MODEL WAS BJ-57	MCW	<i>[Signature]</i>	5-2-74
B	2800	FINISH WAS TFS-1B(GOLD)	POB	<i>[Signature]</i>	3-12-75
C	2908	REV PL ITEMS 5 & 6 PN	CU	<i>[Signature]</i>	7-8-75
D	3386	ITEM 4PN WAS 8000-1274	CU	<i>[Signature]</i>	7-8-76
E	7239	3/8 HEX WAS 7/16 HEX	CKH	F3 <i>[Signature]</i>	9-29-86



INCH	MM
.005	0.13
.030	0.76
.039	0.99
.218	5.54
.281	7.14
.285	7.24
.317	8.05
.321	8.15
.402	10.21
1.000	25.40

- 5. MAX PNL THK .218
- 4. TPS SOLDER POT BULKHEAD MOUNT JACK

3 SOLDER POT ACCEPTS .039 DIA CONDUCTOR

2. FINISH: TFS-1A (NICKEL)

1. ALL DIM ARE IN INCHES

6000-0835

6000-0216

NEXT ASSY

QTY	DESCRIPTION		PART NUMBER		ITEM	
	TOL UNLESS SPECIFIED .XX ± .XXX ±.005 .XXXX ± ANGLES ±		TROMPETER ELECTRONICS, INC.		BJ50	
DWN	JKR	7-10-73				MATERIAL
CHK	<i>[Signature]</i>	8-29-73	—	14949	1000-0403	E
ENGR	<i>[Signature]</i>	9-7-73	SCALE 4/1	DATE 9-11-73	SHEET 1 OF 2	
APPR	<i>[Signature]</i>	9/11/73				