



Chipsmall Limited consists of a professional team with an average of over 10 year of expertise in the distribution of electronic components. Based in Hongkong, we have already established firm and mutual-benefit business relationships with customers from,Europe,America and south Asia,supplying obsolete and hard-to-find components to meet their specific needs.

With the principle of “Quality Parts,Customers Priority,Honest Operation,and Considerate Service”,our business mainly focus on the distribution of electronic components. Line cards we deal with include Microchip,ALPS,ROHM,Xilinx,Pulse,ON,Everlight and Freescale. Main products comprise IC,Modules,Potentiometer,IC Socket,Relay,Connector.Our parts cover such applications as commercial,industrial, and automotives areas.

We are looking forward to setting up business relationship with you and hope to provide you with the best service and solution. Let us make a better world for our industry!



Contact us

Tel: +86-755-8981 8866 Fax: +86-755-8427 6832

Email & Skype: info@chipsmall.com Web: www.chipsmall.com

Address: A1208, Overseas Decoration Building, #122 Zhenhua RD., Futian, Shenzhen, China



REVISIONS			
REV	DESCRIPTIONS	DATE	APPROVED
L	ECO 52611	9/28/10	T. KOHLER

DASH NO	CABLES ACCOMMODATED	ASSEMBLE PER	A DIA
-7	TRC-50-2/TRC-75-2	TAI-189	.274
-9	TWC-78-2/TWC-124-2	TAI-102	.285
-23	250-3884, MICROOOT	TAI-189	.183
-24	202-3934, MICROOOT	TAI-102	.191
-24A	9530A5117, RAYCHEM	TAI-189	.200
-25	GEE1A, GERMANY	TAI-102	.285
-25A	5021H5331, RAYCHEM	TAI-189	.285
-26	702BA5518, RAYCHEM		.183
-27	202-3927, MICROOOT	TAI-102	.145
-29	TWC-78-1/TWC-124-1A		.191
-30	761A,W.E.CO/8441,BELDEN		.235
-32	TRC-50-1	TAI-189	.191
-33	TRC-75-1		.217
-42	21-204, ESSEX 4463, CONSOLIDATED		.300
-43	250-4044/250-4045 293-3930, MICROOOT	TAI-102	.200
-45	M27500-22TE2T14 1100-66F, STANDARD		.183
-47	MI7/176-00002		.164
-49	TWAC-78-1F2	TAI-189	.132
-55	89272, BELDEN		.250
-56	GC875GC1, GRUMMAN		.191
-57	GC875GB1, GRUMMAN	TAI-102	.198
-58	GC875TM24H, GRUMMAN		.198
-59	GC875LNI, GRUMMAN		.198
-60	MI7/177, THERMATICS 380-10045, BOEING	TAI-189	.217
-64	7528A5314, RAYCHEM		.183

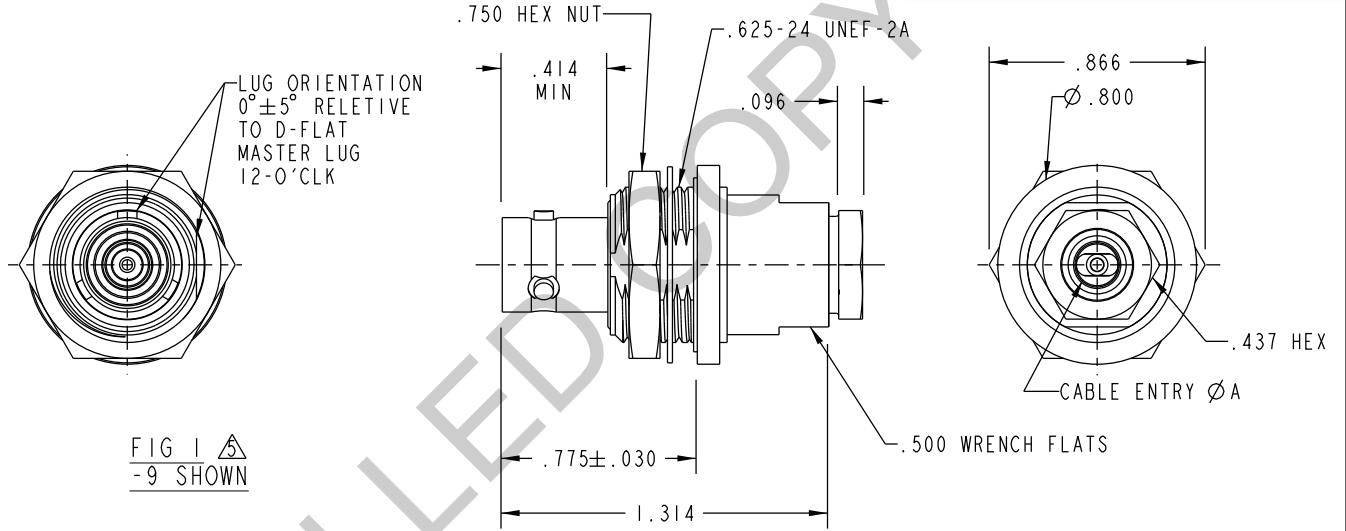


FIG 1 Δ
-9 SHOWN

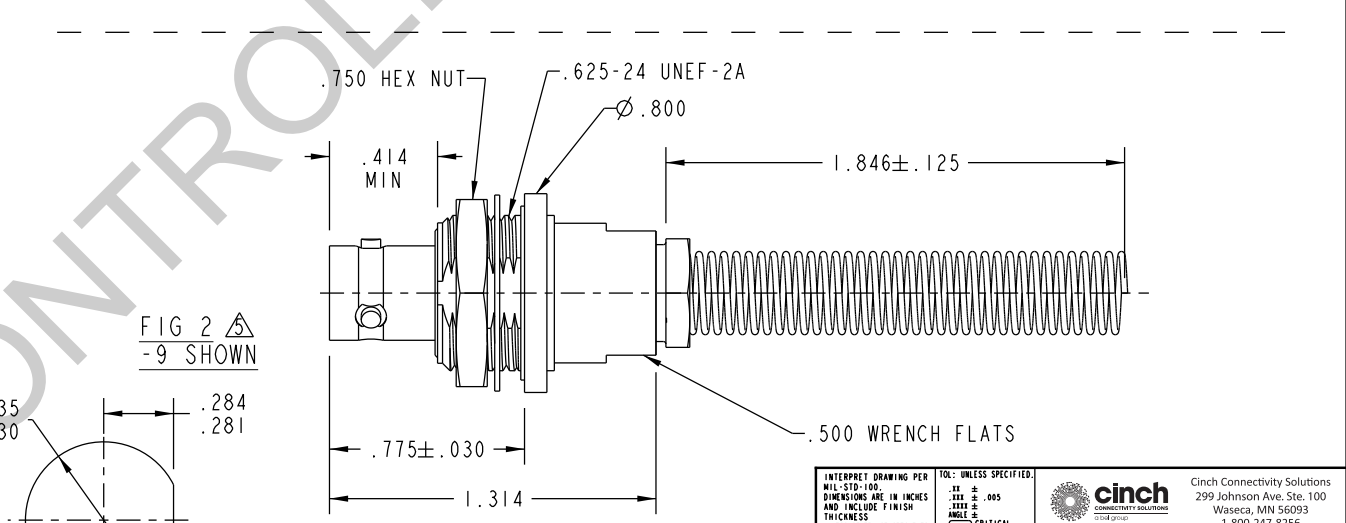
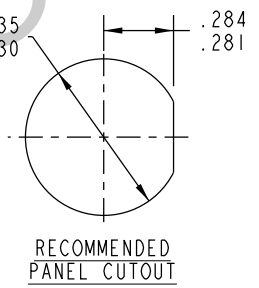


FIG 2 Δ
-9 SHOWN



RECOMMENDED
PANEL CUTOUT

Δ IF BEND RELIEF SPRING REQUIRED (FIG 2)

4. CONCENTRIC TWINAX/TRIAX TRB BULKHEAD MOUNT CABLE RECEPTACLE
3. MAX PANEL THK .140
2. FINISH: TFS-1A (NICKEL)
1. ALL DIM ARE IN INCHES

NOTES: UNLESS OTHERWISE SPECIFIED.

<small>INTERPRET DRAWING PER MIL-STD-100. DIMENSIONS ARE IN INCHES AND INCLUDE FINISH THICKNESS UNLESS OTHERWISE SPECIFIED.</small>		<small>TOL: UNLESS SPECIFIED. .005</small>				<small>Cinch Connectivity Solutions 299 Johnson Ave. Ste. 100 Waseca, MN 56093 1-800-247-8256</small>	
DRN J. CRAWFORD	10/19/10	MATERIAL:		TITLE: BJ74/BJ74BR			
CHK C. WALLACE	10/19/10	FINISH:		SIZE	CAGE CODE B 14949	DRAWING NO. 3-0055	REV. L
QUALITY				SCALE	2/1	DATE	SHEET 1 OF 2
APPROVED				DO NOT SCALE DWG			
SURFACE AREA	PROJ FILE NO. 3-0055						