



Chipsmall Limited consists of a professional team with an average of over 10 year of expertise in the distribution of electronic components. Based in Hongkong, we have already established firm and mutual-benefit business relationships with customers from,Europe,America and south Asia,supplying obsolete and hard-to-find components to meet their specific needs.

With the principle of “Quality Parts,Customers Priority,Honest Operation,and Considerate Service”,our business mainly focus on the distribution of electronic components. Line cards we deal with include Microchip,ALPS,ROHM,Xilinx,Pulse,ON,Everlight and Freescale. Main products comprise IC,Modules,Potentiometer,IC Socket,Relay,Connector.Our parts cover such applications as commercial,industrial, and automotives areas.

We are looking forward to setting up business relationship with you and hope to provide you with the best service and solution. Let us make a better world for our industry!



Contact us

Tel: +86-755-8981 8866 Fax: +86-755-8427 6832

Email & Skype: info@chipsmall.com Web: www.chipsmall.com

Address: A1208, Overseas Decoration Building, #122 Zhenhua RD., Futian, Shenzhen, China



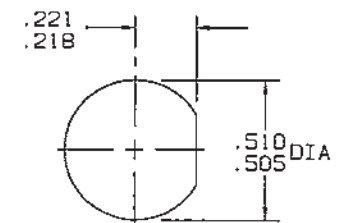
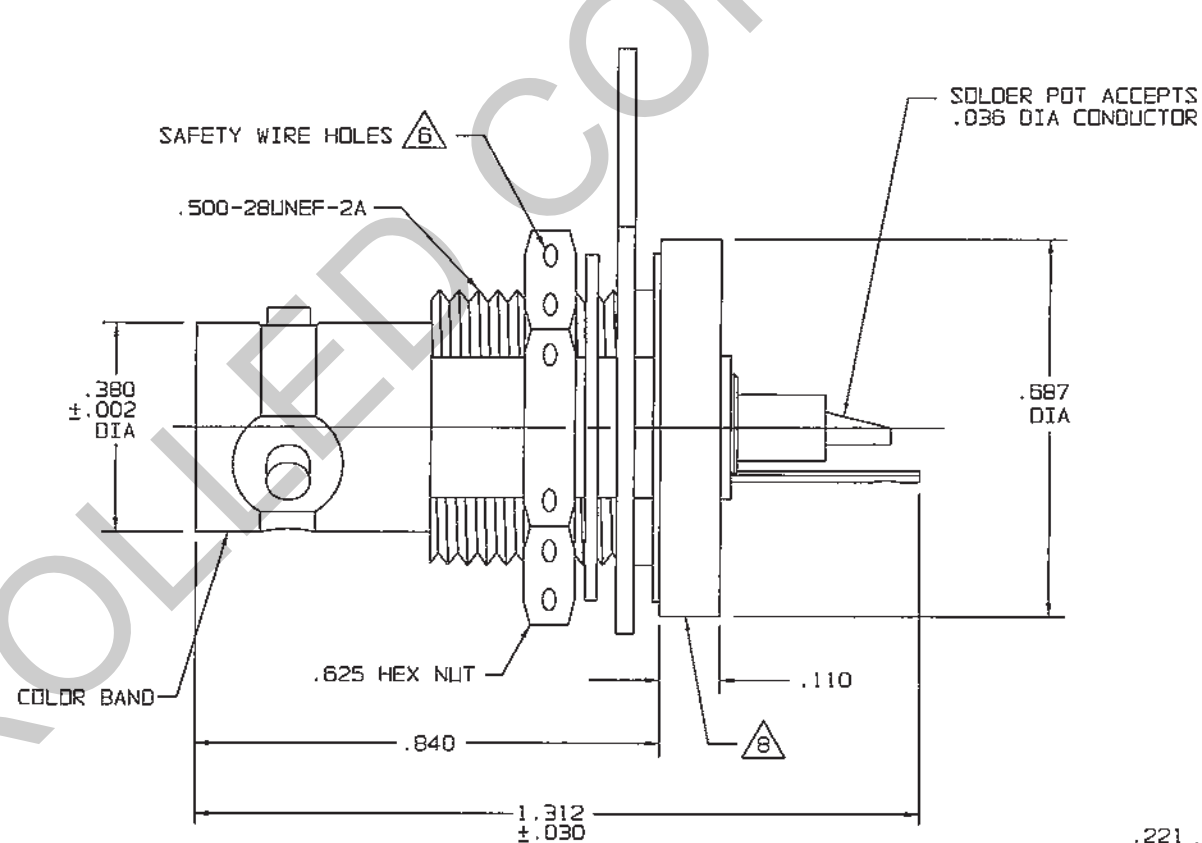
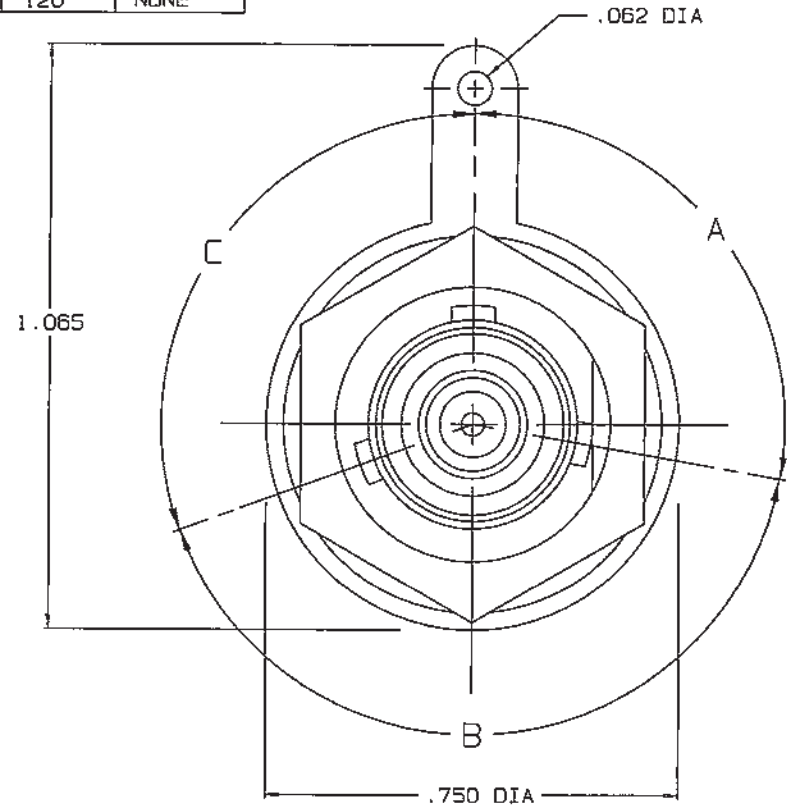
TABLE 1 POLARIZATION CHART					
DASH NO	KEYING LETTER	A DEGREES	B DEGREES	C DEGREES	COLOR BAND
-1	T	100°	150°	110°	RED
-2	U	120°	130°	110°	ORANGE
-3	V	115°	130°	115°	YELLOW
-4	W	125°	110°	125°	GREEN
-5	X	130°	100°	130°	BLUE
-6	Y	110°	140°	110°	VIOLET
-7	Z	100°	160°	100°	GRAY
-8	S	135°	135°	90°	WHITE
-9	NONE	120°	120°	120°	NONE

TABLE 2	
MILITARY PART NO (PIN)	TROMPETER PART NO (REF ONLY)
M49142/04-0004	M3-0128
M49142/04-0104	M3-0128Y
M49142/04-0204	M3-0128S

DATA CONTAINED IN THIS DOCUMENT IS PROPRIETARY TO TROMPETER ELECTRONICS INC. AND SHALL NOT BE DISCLOSED, COPIED OR USED FOR PROCUREMENT OR MANUFACTURE WITHOUT EXPRESS WRITTEN PERMISSION OF TROMPETER ELECTRONICS INC.

REVISIONS		3-0128	SH 1
REV	DESCRIPTION	DATE	APPROVED
G	REVISED PER ECD 15465	5-14-09	mm

RED INDICATES ORIGINAL



7. WHEN CONNECTOR IS SUPPLIED TO MILITARY PART NO. (SEE TABLE 2):
- a) ALL PARTS NORMALLY PLATED TFS-1A OR TFS-1U (NICKEL) ARE TO BE PLATED TFS-1M (SILVER)
 - b) MARK PART IN AREA B WITH MILITARY PIN (SEE TABLE 2) AND "14949"
 - c) QUALITY CONFORMANCE INSPECTION SHALL BE PER MIL-C-49142 SECTION 4.5

6. HEX NUT WITH SAFETY HOLES IS SUPPLIED WHEN SUFFIX "-S" (SAFETY WIRW TYPE) IS REQ'D ONLY

5. IF SAFETY WIRE TYPE REQ'D, ADD SUFFIX "-S" TO MODEL NO AND PART NO, (SEE NOTE 7 & 8)

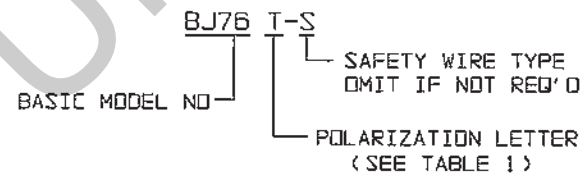
4. MAX PANEL THK .240 W/O SOLDER LUG
.208 THK W/ SOLDER LUG

3. CONCENTRIC TWINAX/TRIAX TRB REAR MOUNT SOLDER POT BULKHEAD RECEPTACLE

2. FINISH: TFS-1A (NICKEL) 7

1. ALL DIM ARE IN INCHES

8. EXAMPLE OF COMPLETE MODEL NO:



INTERPRET DRAWING PER MIL-STD-100 DIMENSIONS ARE IN THICKS AND INCLUDE FINISH THICKNESS UNLESS OTHERWISE SPECIFIED		TOL.: UNLESS SPECIFIED .XX ±.01 .XXX ±.005 .XXXX ±.0010 ANGLES ± 0° 30'			
DRAWN: AAH CHECKED: M/Mesh S/14/04 QUANTITY: M/Mesh S/14/04 FINISH: M/Mesh S/14/04 APPROVED: M/Mesh S/14/04 CAD FILE NO: 3-0128G	DATE: S-14-04	MATERIAL:	TITLE: BJ76/T/U/V/W/X/Y/Z/S/-S	SIZE: B CAGE CODE: 14949	DRAWING NO.: 3-0128
NEXT ASSY:	DO NOT SCALE DWG	SCALE: 4/1	DATE: 12/15/87	SHEET: 1C	REV.: G