



Chipsmall Limited consists of a professional team with an average of over 10 year of expertise in the distribution of electronic components. Based in Hongkong, we have already established firm and mutual-benefit business relationships with customers from,Europe,America and south Asia,supplying obsolete and hard-to-find components to meet their specific needs.

With the principle of “Quality Parts,Customers Priority,Honest Operation,and Considerate Service”,our business mainly focus on the distribution of electronic components. Line cards we deal with include Microchip,ALPS,ROHM,Xilinx,Pulse,ON,Everlight and Freescale. Main products comprise IC,Modules,Potentiometer,IC Socket,Relay,Connector.Our parts cover such applications as commercial,industrial, and automotives areas.

We are looking forward to setting up business relationship with you and hope to provide you with the best service and solution. Let us make a better world for our industry!



## Contact us

Tel: +86-755-8981 8866 Fax: +86-755-8427 6832

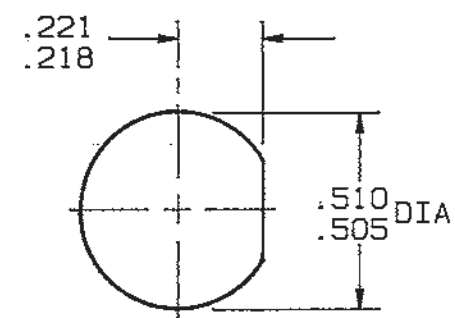
Email & Skype: info@chipsmall.com Web: www.chipsmall.com

Address: A1208, Overseas Decoration Building, #122 Zhenhua RD., Futian, Shenzhen, China

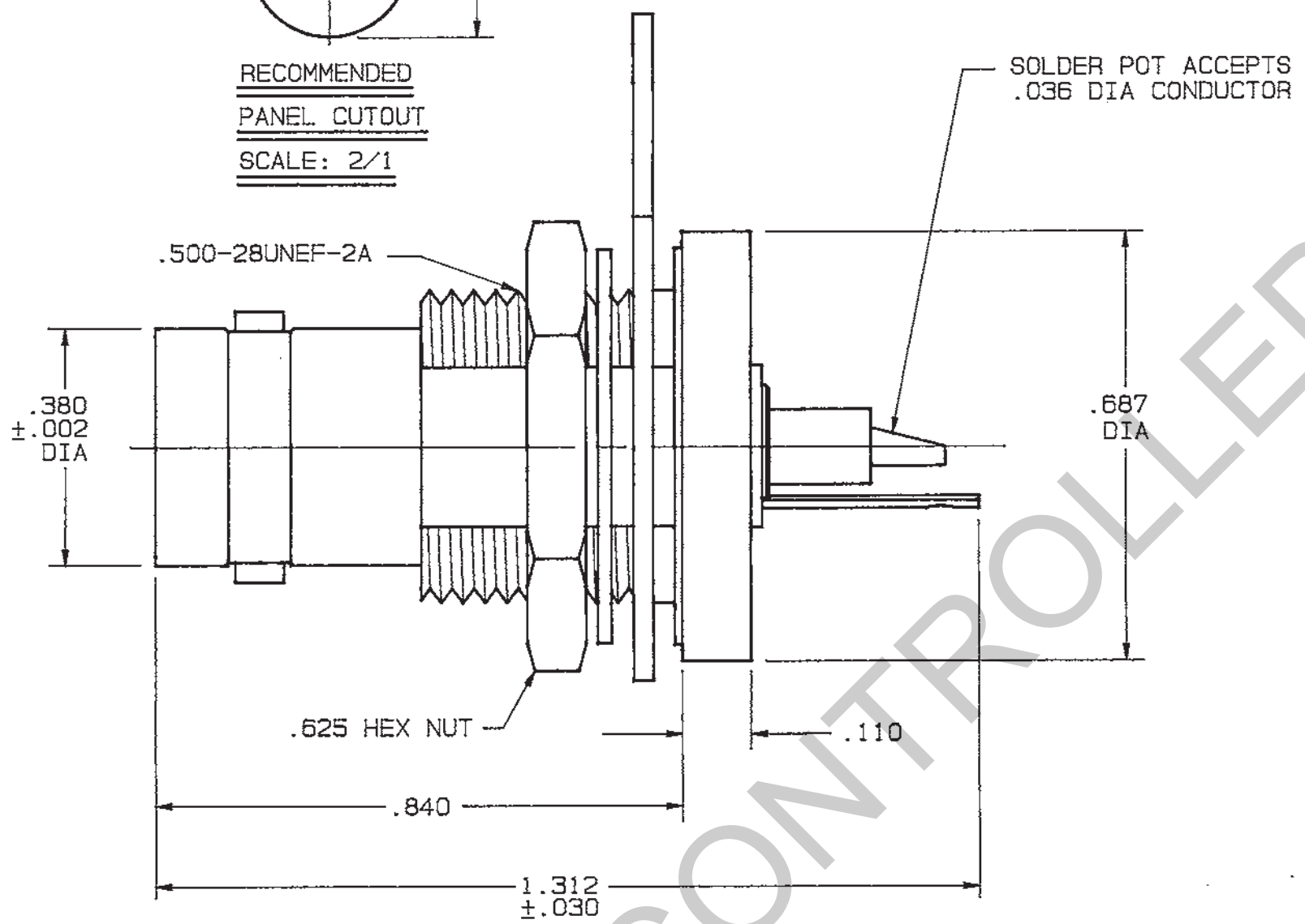


DATA CONTAINED IN THIS DOCUMENT IS PROPRIETARY TO TROMPETER ELECTRONICS INC. AND SHALL NOT BE DISCLOSED, COPIED OR USED FOR PROCUREMENT OR MANUFACTURE WITHOUT EXPRESS WRITTEN PERMISSION.

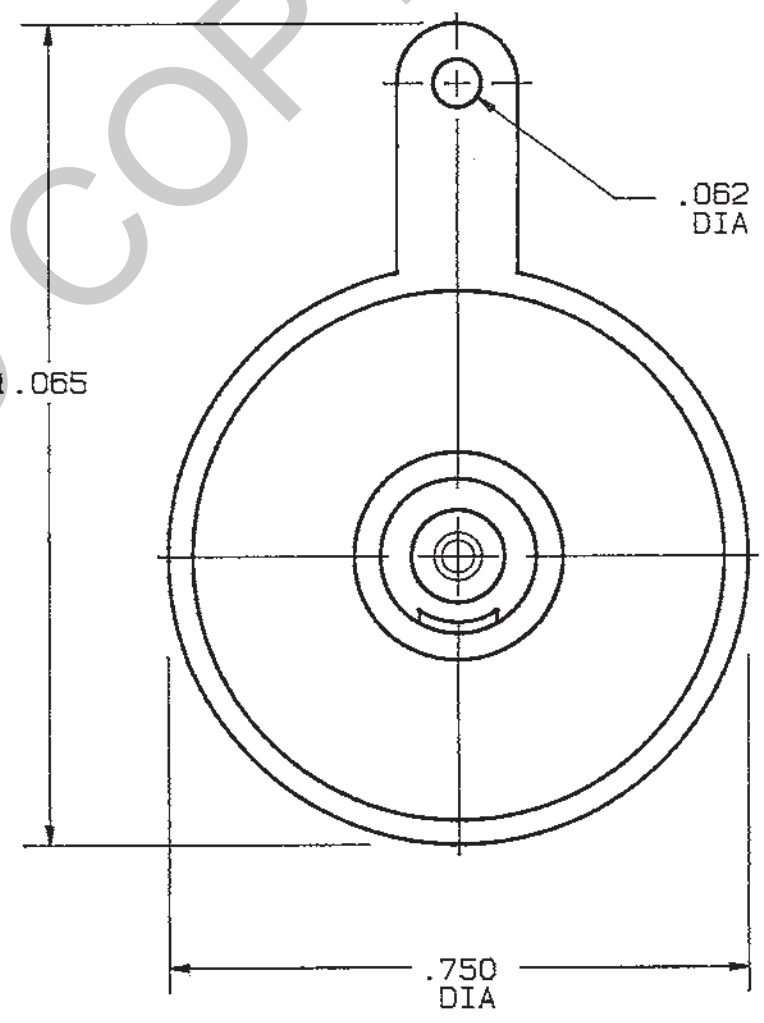
REVISIONS			3-0129	SH 1	
REV	EO	DESCRIPTION	DWN	APPROVED	DATE
B	8270	SH 1 .625/.240/.208 WERE .562/.250/.218; SH 2, L/M ITEM 6 WAS 8-1520-17 AND REDRAWN	DJK	<i>DJK; BM; JF</i>	12-20-88



RECOMMENDED  
PANEL CUTOUT  
SCALE: 2/1



SOLDER POT ACCEPTS .036 DIA CONDUCTOR



INCH	MM
.002	0.05
.005	0.13
.030	0.76
.036	0.91
.062	1.57
.110	2.79
.208	5.28
.218	5.54
.221	5.61
.240	6.10
.380	9.65
.505	12.83
.510	12.95
.625	15.88
.687	17.45
.750	19.05
.840	21.34
1.065	27.05
1.312	33.32

4. MAX PANEL THK .240 W/O SOLDER LUG  
.208 THK W/ SOLDER LUG
3. CONCENTRIC TWINAX/TRIAX TRB  
REAR MOUNT SOLDER POT  
BULKHEAD RECEPTACLE
2. FINISH: TFS-1A (NICKEL)
1. ALL DIM ARE IN INCHES

QTY	DESCRIPTION		PART NUMBER	ITEM		
TOL UNLESS SPECIFIED			BJ76TL			
.XX ±						
.XXX ± .005						
.XXXX ±						
ANGLES ±						
DWN	DJK	11/23/88	MATERIAL	CODE IDENT	DRAWING NO.	REV
CHK	<i>DJK</i>	12/5/88	—	14949	3-0129	B
ENGR	<i>BM</i>	12/6/88				
APPR	<i>JF</i>	12/19/88	SCALE 4/1	DATE 12/15/87	SHEET 1 OF 2	

NEXT ASSY