



Chipsmall Limited consists of a professional team with an average of over 10 year of expertise in the distribution of electronic components. Based in Hongkong, we have already established firm and mutual-benefit business relationships with customers from,Europe,America and south Asia,supplying obsolete and hard-to-find components to meet their specific needs.

With the principle of “Quality Parts,Customers Priority,Honest Operation,and Considerate Service”,our business mainly focus on the distribution of electronic components. Line cards we deal with include Microchip,ALPS,ROHM,Xilinx,Pulse,ON,Everlight and Freescale. Main products comprise IC,Modules,Potentiometer,IC Socket,Relay,Connector.Our parts cover such applications as commercial,industrial, and automotives areas.

We are looking forward to setting up business relationship with you and hope to provide you with the best service and solution. Let us make a better world for our industry!



Contact us

Tel: +86-755-8981 8866 Fax: +86-755-8427 6832

Email & Skype: info@chipsmall.com Web: www.chipsmall.com

Address: A1208, Overseas Decoration Building, #122 Zhenhua RD., Futian, Shenzhen, China



RED INDICATES ORIGINAL

TABLE 1

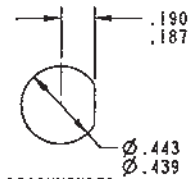
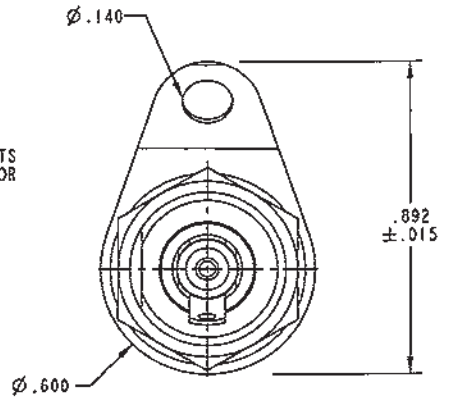
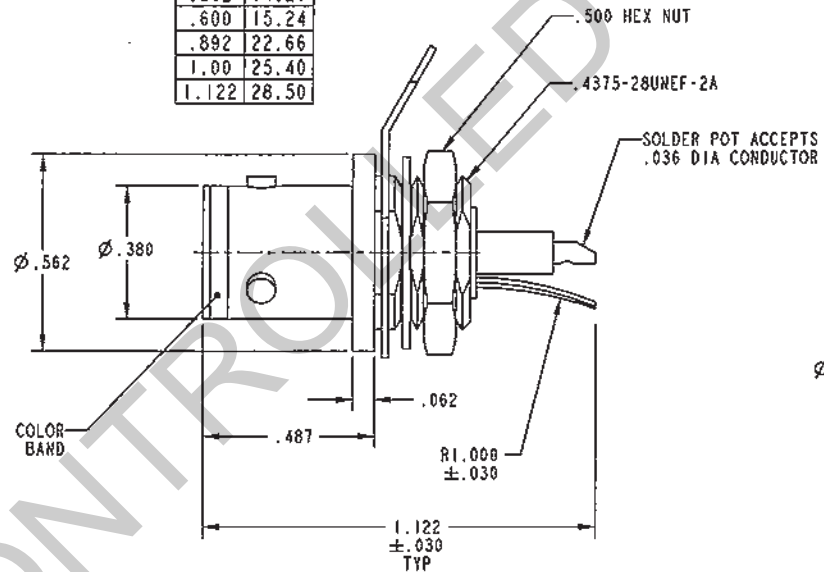
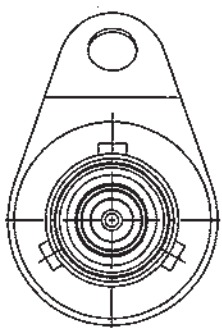
KEYING LETTER	A°	B°	C°	COLOR BAND
NONE	120°	120°	120°	NONE
S	135°	135°	90°	WHITE
T	100°	150°	110°	RED
U	120°	130°	110°	ORANGE
V	115°	130°	115°	YELLOW
W	125°	110°	125°	GREEN
X	130°	100°	130°	BLUE
Y	110°	140°	110°	VIOLET
Z	100°	160°	100°	GRAY

TABLE 2

INCH	MM
.005	0.13
.015	0.38
.030	0.76
.036	0.91
.062	1.57
.125	3.18
.140	3.56
.187	4.75
.190	4.83
.380	9.65
.439	11.15
.443	11.25
.487	12.37
.500	12.70
.562	14.27
.600	15.24
.892	22.66
1.00	25.40
1.122	28.50

DATA CONTAINED IN THIS DOCUMENT IS PROPRIETARY TO TROMPETER ELECTRONICS INC AND SHALL NOT BE DISCLOSED, COPIED OR USED FOR PROCUREMENT OR MANUFACTURE WITHOUT EXPRESS WRITTEN PERMISSION.

REV		ECO NO.	DESCRIPTION	DWN	APPROVED	DATE
W	11328		SH 2 *D* FLAT PIN DEPTH WAS .200; B/M P/N 8-2149-3; WAS 8-2149-2; SEE ECO	SAC	Bm; FR	12/21/95



RECOMMENDED PANEL CUTOUT SCALE 2.000

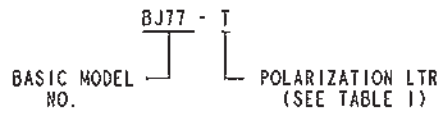
4. MAX PANEL THK .125

3. SOCKET CONTACT CONCENTRIC TWIMAX/ TRIAX TRB SOLDER POT BULKHEAD MOUNT RECEPTACLE

2. FINISH: TFS-1A(NICKEL)

1. ALL DIM ARE IN INCHES

5. EXAMPLE OF COMPLETE MODEL NO:



QTY	DESCRIPTION	PART NUMBER	ITEM
TOL UNLESS SPECIFIED	TROMPETER RF connectivity	BJ77/S/T/U/V/ W/X/Y/Z	
.12 ±			
.015 ±			
.005 ±			
.003 ±			
.002 ±			
.001 ±			
DWG SAC 12-6-95	MATERIAL	CODE IDENT 14949	DRAWING NO. 3-0001
CHR Bm 12-20-95			REV W
SEE SH 3 ENGR FR	SCALE 4/1	DATE 11-12-98	SHEET 1C
NEXT ASSY APPR FR			