



Chipsmall Limited consists of a professional team with an average of over 10 year of expertise in the distribution of electronic components. Based in Hongkong, we have already established firm and mutual-benefit business relationships with customers from,Europe,America and south Asia,supplying obsolete and hard-to-find components to meet their specific needs.

With the principle of “Quality Parts,Customers Priority,Honest Operation,and Considerate Service”,our business mainly focus on the distribution of electronic components. Line cards we deal with include Microchip,ALPS,ROHM,Xilinx,Pulse,ON,Everlight and Freescale. Main products comprise IC,Modules,Potentiometer,IC Socket,Relay,Connector.Our parts cover such applications as commercial,industrial, and automotives areas.

We are looking forward to setting up business relationship with you and hope to provide you with the best service and solution. Let us make a better world for our industry!



Contact us

Tel: +86-755-8981 8866 Fax: +86-755-8427 6832

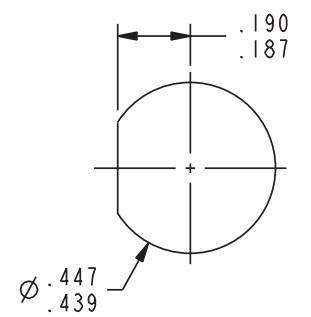
Email & Skype: info@chipsmall.com Web: www.chipsmall.com

Address: A1208, Overseas Decoration Building, #122 Zhenhua RD., Futian, Shenzhen, China



KEYING LETTER	A°	B°	C°
NONE	120	120	120
S	135	135	90
T	100	150	110
U	120	130	110
V	115	130	115
W	125	110	125
X	130	100	130
Y	110	140	110
Z	100	160	100

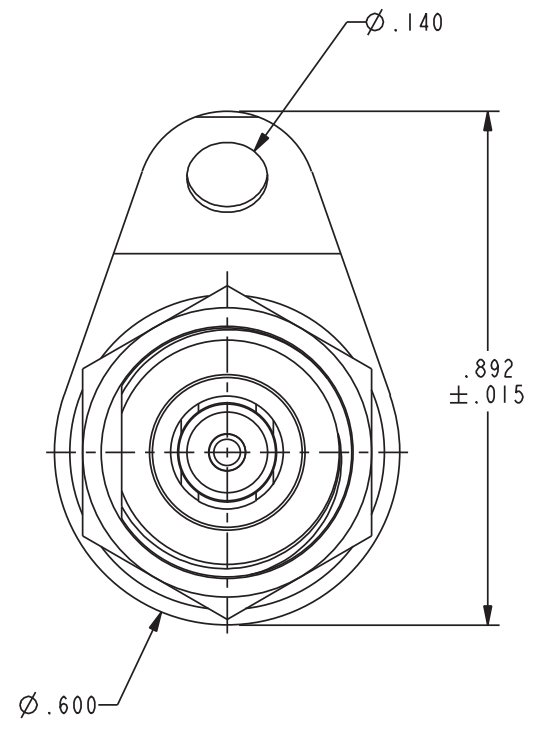
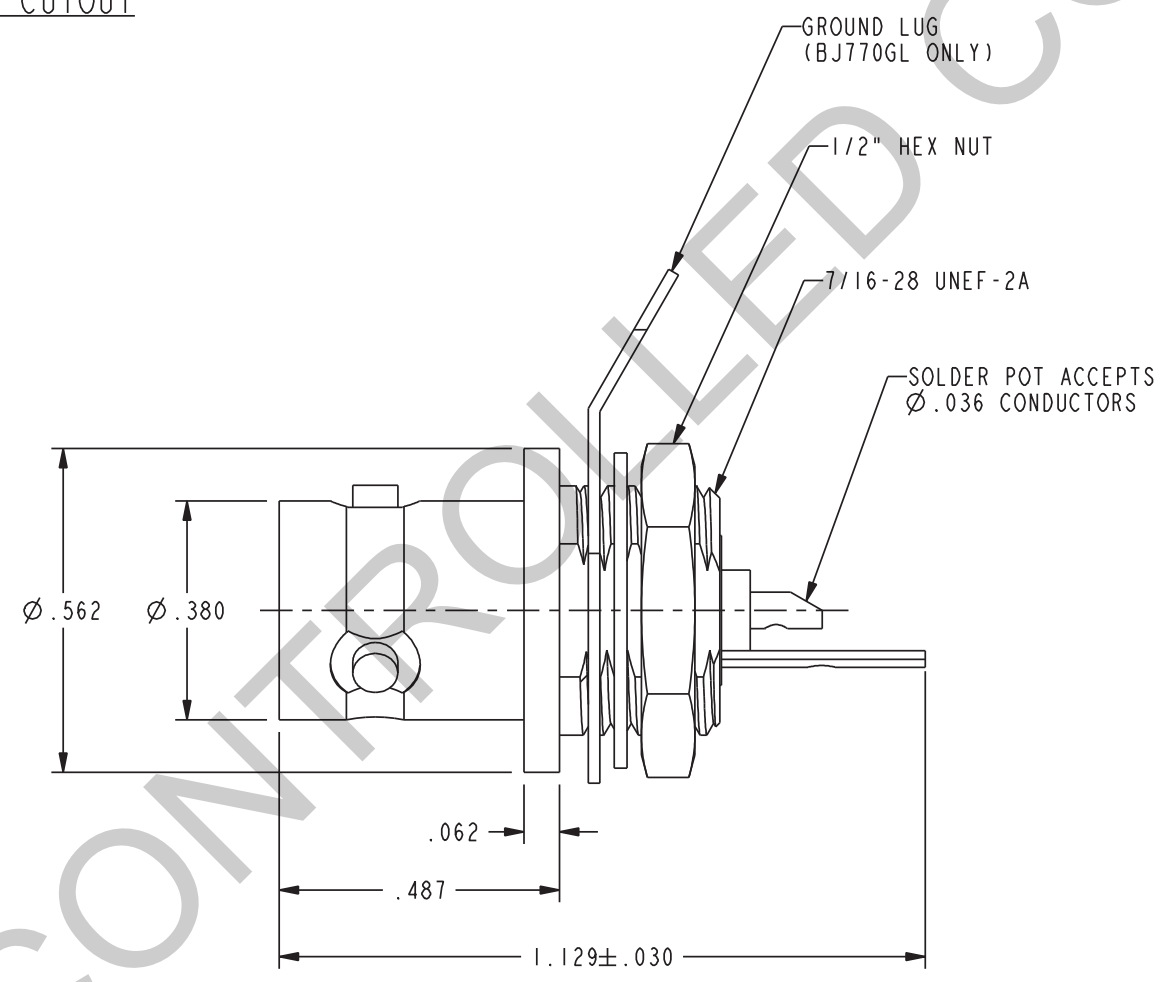
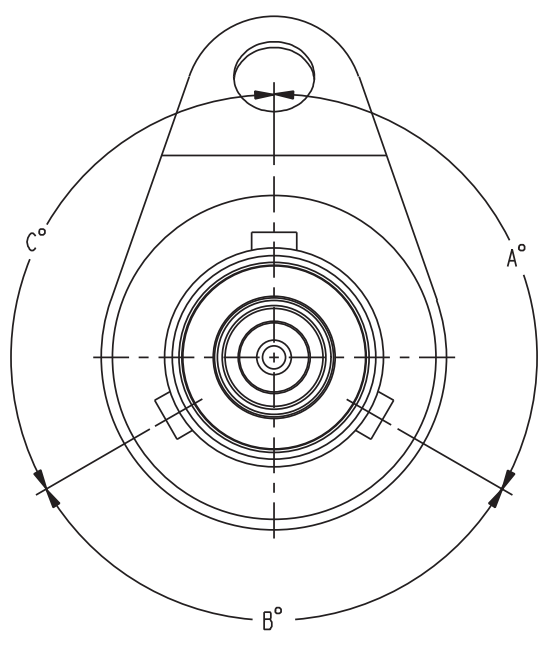
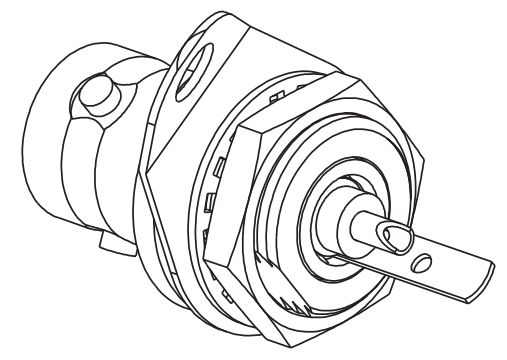
MODEL NUMBER	INCLUDED ITEMS
BJ770	CONNECTOR HEX NUT LOCK WASHER
BJ770GL	CONNECTOR HEX NUT LOCK WASHER GROUND LUG



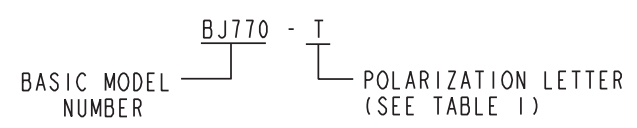
RECOMMENDED PANEL CUTOUT

DATA CONTAINED IN THIS DOCUMENT IS PROPRIETARY TO EMERSON CONNECTIVITY SOLUTIONS AND SHALL NOT BE DISCLOSED, COPIED OR USED FOR PROMOTION OR MANUFACTURE WITHOUT EXPRESS WRITTEN PERMISSION

REV	DESCRIPTIONS	DATE	APPROVED
J	ECO 54989	4/30/14	P. KLYVE



4. EXAMPLE OF COMPLETE MODEL NUMBER:



3. MAXIMUM PANEL THICKNESS .125

2. SOCKET CONTACT CONCENTRIC TWINAX/ TRIAX TRB SOLDER POT BULKHEAD MOUNT RECEPTACLE

1. FINISH: NICKEL

NOTES: UNLESS OTHERWISE SPECIFIED.

UNCONTROLLED COPY

INTERPRET DRAWING PER MIL-STD-100. DIMENSIONS ARE IN INCHES AND INCLUDE FINISH THICKNESS UNLESS OTHERWISE SPECIFIED.		TOL: UNLESS SPECIFIED. .XX ± .01 .XXX ± .003 .XXXX ± .0010 ANGLE ± 1° 00'		Cinch Connectivity Solutions 299 Johnson Ave. Ste. 100 Waseca, MN 56093 1-800-247-8256	
DRW	C. WALLACE	5/1/14	MATERIAL:	TITLE: BJ770/S/T/U/V/W/X/Y/Z	
CHK	P. KLYVE	5/2/14	FINISH:	SIZE	CAGE CODE
QUALITY				B	14949
MANUF				DRAWING NO.	REV.
APPROVED	C. MONAHAN	2/14/12	DO NOT SCALE DWG	C_3-0296	J
PROJ/ FILE NO.	3-0296	DATE	SCALE	3/1	SHEET 1 OF 2