



Chipsmall Limited consists of a professional team with an average of over 10 year of expertise in the distribution of electronic components. Based in Hongkong, we have already established firm and mutual-benefit business relationships with customers from,Europe,America and south Asia,supplying obsolete and hard-to-find components to meet their specific needs.

With the principle of “Quality Parts,Customers Priority,Honest Operation,and Considerate Service”,our business mainly focus on the distribution of electronic components. Line cards we deal with include Microchip,ALPS,ROHM,Xilinx,Pulse,ON,Everlight and Freescale. Main products comprise IC,Modules,Potentiometer,IC Socket,Relay,Connector.Our parts cover such applications as commercial,industrial, and automotives areas.

We are looking forward to setting up business relationship with you and hope to provide you with the best service and solution. Let us make a better world for our industry!



Contact us

Tel: +86-755-8981 8866 Fax: +86-755-8427 6832

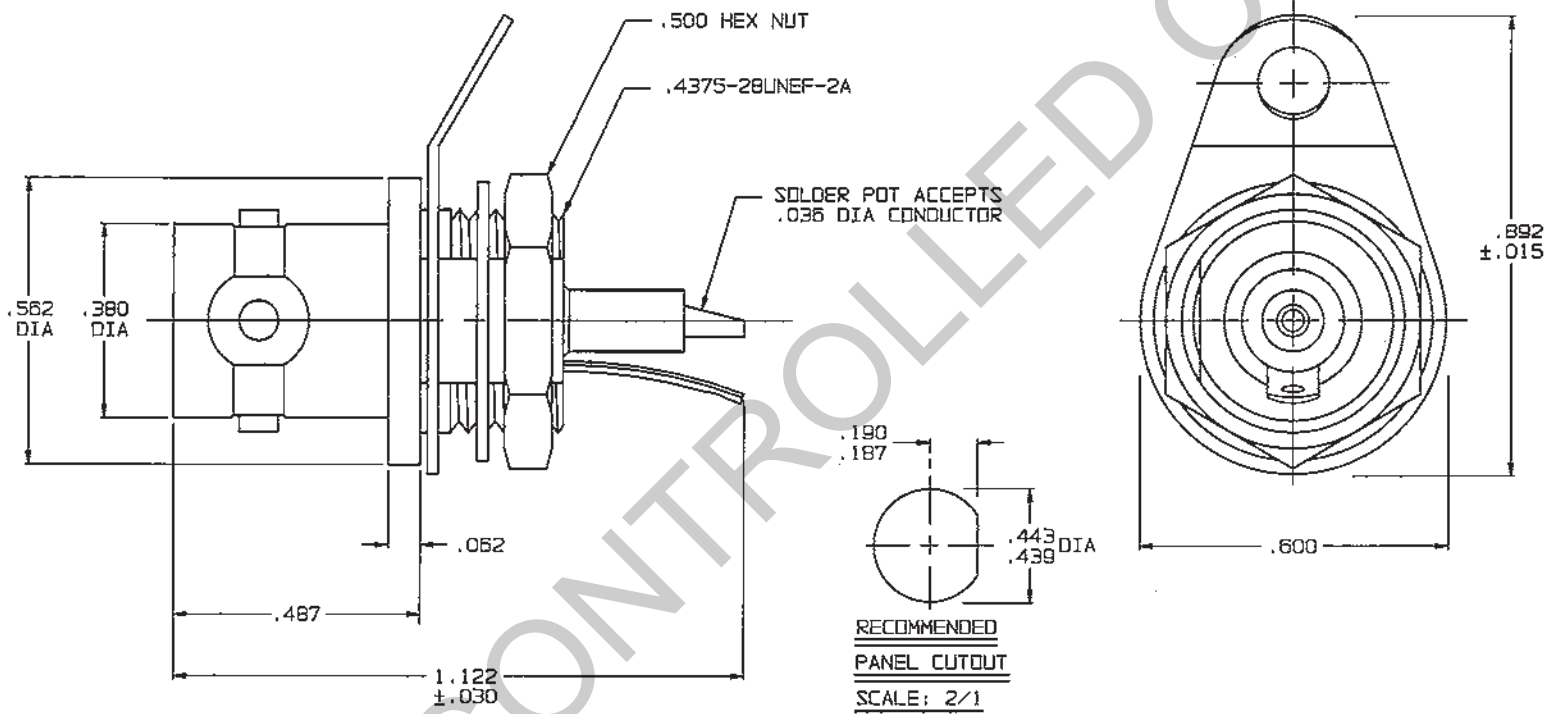
Email & Skype: info@chipsmall.com Web: www.chipsmall.com

Address: A1208, Overseas Decoration Building, #122 Zhenhua RD., Futian, Shenzhen, China



RED INDICATES ORIGINAL

DISK # N	DWG SIZE B	DATA CONTAINED IN THIS DOCUMENT IS PROPRIETARY TO TROMPETER ELECTRONICS INC. AND SHALL NOT BE DISCLOSED, COPIED OR USED FOR PROCUREMENT OR MANUFACTURE WITHOUT EXPRESS WRITTEN PERMISSION.	REVISIONS			3-0094		SH 1
			REV	ED	DESCRIPTION	DWN	APPROVED	DATE
			H	10220	.892 WAS .940 & UPDATED	AAH	BM; RJ	4/27/93



INCH	MM
.005	0.13
.015	0.38
.030	0.76
.036	0.91
.062	1.57
.125	3.18
.187	4.75
.190	4.83
.380	9.65
.439	11.15
.443	11.25
.487	12.37
.500	12.70
.562	14.27
.600	15.24
.892	22.66
1.122	28.50

4. MAX PANEL THK .125
3. SOCKET CONTACT CONCENTRIC TWINAX/
TRIAx 4-LUG TR8 SOLDER POT
BULKHEAD MOUNT RECEPTACLE
2. FINISH: TFS-1A (NICKEL)
1. ALL DIM ARE IN INCHES

QTY	DESCRIPTION		PART NUMBER	ITEM
TOL UNLESS SPECIFIED		TROMPETER RF connectivity	BJ77FL	
.XX ±	.XXX ± .005			
.XXXX ±	ANGLES ±			
DWN	AAH	4-27-93	MATERIAL	CODE IDENT
CHK	BM	4-27-93	14949	DRAWING NO.
ENGR				3-0094
APPR	RJ	4/29/93	SCALE 4/1	DATE 1/24/83
NEXT ASSY				SHEET 1 OF 2