



Chipsmall Limited consists of a professional team with an average of over 10 year of expertise in the distribution of electronic components. Based in Hongkong, we have already established firm and mutual-benefit business relationships with customers from,Europe,America and south Asia,supplying obsolete and hard-to-find components to meet their specific needs.

With the principle of “Quality Parts,Customers Priority,Honest Operation,and Considerate Service”,our business mainly focus on the distribution of electronic components. Line cards we deal with include Microchip,ALPS,ROHM,Xilinx,Pulse,ON,Everlight and Freescale. Main products comprise IC,Modules,Potentiometer,IC Socket,Relay,Connector.Our parts cover such applications as commercial,industrial, and automotives areas.

We are looking forward to setting up business relationship with you and hope to provide you with the best service and solution. Let us make a better world for our industry!



Contact us

Tel: +86-755-8981 8866 Fax: +86-755-8427 6832

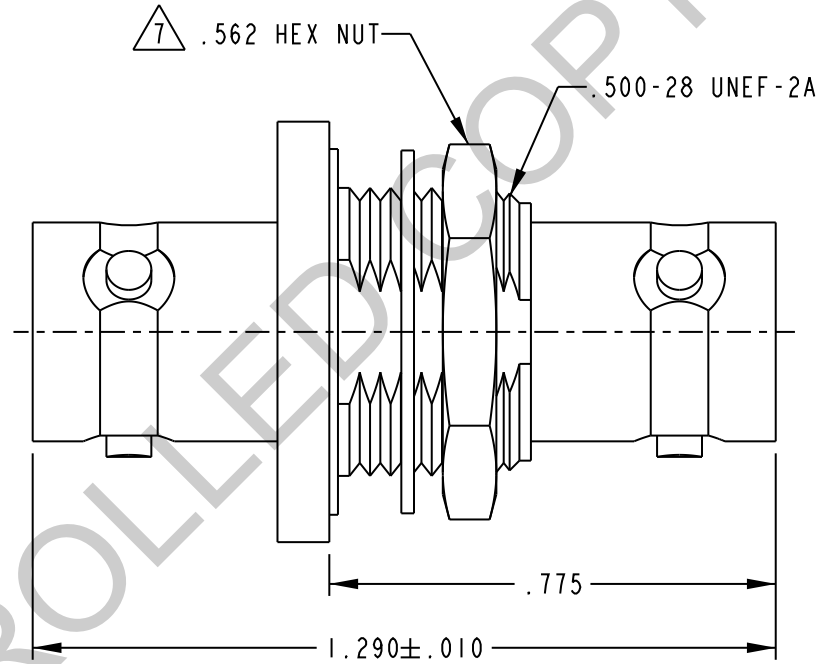
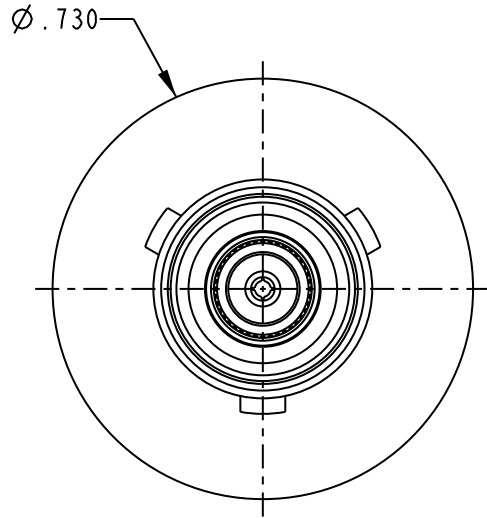
Email & Skype: info@chipsmall.com Web: www.chipsmall.com

Address: A1208, Overseas Decoration Building, #122 Zhenhua RD., Futian, Shenzhen, China

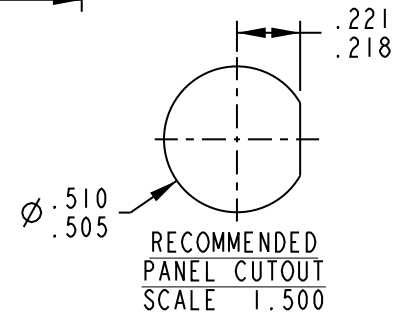


DATA CONTAINED IN THIS DOCUMENT IS PROPRIETARY TO EMERSON CONNECTIVITY SOLUTIONS AND SHALL NOT BE DISCLOSED, COPIED OR USED FOR PROCUREMENT OR MANUFACTURE WITHOUT EXPRESS WRITTEN PERMISSION

REVISIONS			
REV	DESCRIPTIONS	DATE	APPROVED
H	ECO 53006	2/7/11	T. KOHLER




BJ78HS SHOWN



- △ FOR BJ78HSS, 5/8 HEX NUT.
- 6. FOR BJ78HSS, REPLACE 8-1520-17 WITH 805-1304-3
- 5. MATERIAL & CONSTRUCTION: MEET THE REQUIREMENTS OF MIL-C-49142 WHERE APPLICABLE.
- 4. DIELECTRIC WITHSTANDING VOLTAGE: 500 V COMMON MADE VOLTAGE BETWEEN CIRCUITS.
- 3. LEAK RATE: 1×10^{-8} CC/SEC MAX OF TRACER GAS AT ATMOSPHERIC PRESURE.
- 2. HERMETICALLY SEALED TWINAX/TRIAx FEED THRU ADAPTER FOR MOUNTING IN BULKHEAD .187 THK MAX.
- △ PASSIVATED STAINLESS STEEL.

NOTES: UNLESS OTHERWISE SPECIFIED.

INTERPRET DRAWING PER MIL-STD-100. DIMENSIONS ARE IN INCHES AND INCLUDE FINISH THICKNESS UNLESS OTHERWISE SPECIFIED.		TOL: UNLESS SPECIFIED. .XX ± .XXX ± .005 .XXXX ± ANGLE ±		 Cinch Connectivity Solutions 299 Johnson Ave, Ste. 100 Waseca, MN 56093 1-800-247-8256	
DRN C. WALLACE	4/7/11	MATERIAL:	TITLE: BJ78HS, BJ78HSS		
CHK T. KOHLER	4/8/11	FINISH:	SIZE △ 14949	CAGE CODE 14949	DRAWING NO. 305-0063
QUALITY			SCALE 2/1	DATE 5/5/11	REV. H
MANUF					
APPROVED					
SURFACE AREA	PROJ FILE NO. 305-0063	DO NOT SCALE DWG			SHEET 1 OF 2