



Chipsmall Limited consists of a professional team with an average of over 10 year of expertise in the distribution of electronic components. Based in Hongkong, we have already established firm and mutual-benefit business relationships with customers from,Europe,America and south Asia,supplying obsolete and hard-to-find components to meet their specific needs.

With the principle of “Quality Parts,Customers Priority,Honest Operation,and Considerate Service”,our business mainly focus on the distribution of electronic components. Line cards we deal with include Microchip,ALPS,ROHM,Xilinx,Pulse,ON,Everlight and Freescale. Main products comprise IC,Modules,Potentiometer,IC Socket,Relay,Connector.Our parts cover such applications as commercial,industrial, and automotives areas.

We are looking forward to setting up business relationship with you and hope to provide you with the best service and solution. Let us make a better world for our industry!



Contact us

Tel: +86-755-8981 8866 Fax: +86-755-8427 6832

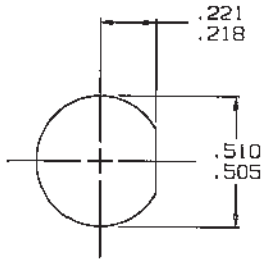
Email & Skype: info@chipsmall.com Web: www.chipsmall.com

Address: A1208, Overseas Decoration Building, #122 Zhenhua RD., Futian, Shenzhen, China



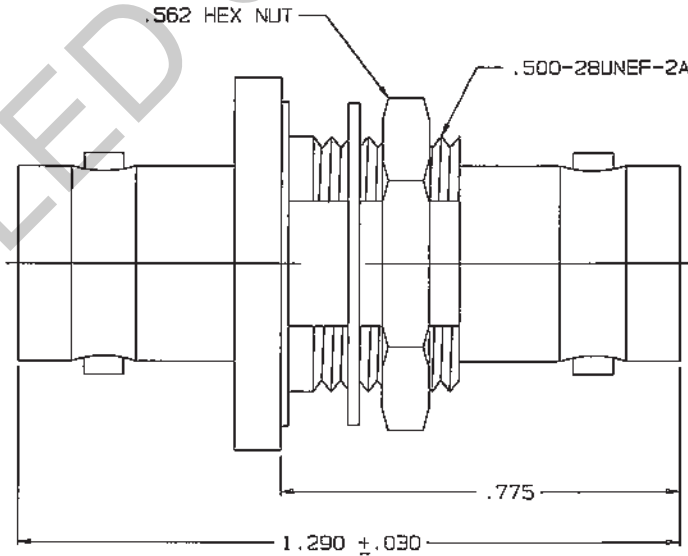
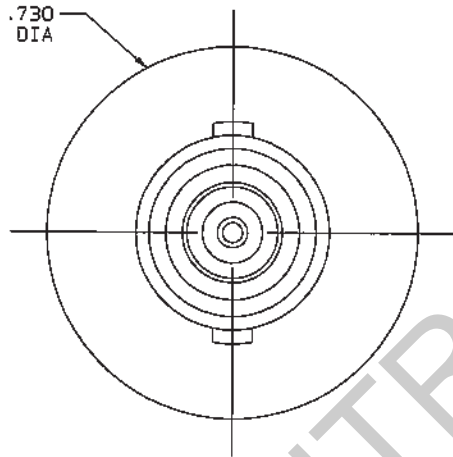
DATA CONTAINED IN THIS DOCUMENT IS PROPRIETARY TO TROMPETER ELECTRONICS INC. AND SHALL NOT BE DISCLOSED, COPIED OR USED FOR PROCUREMENT OR MANUFACTURE WITHOUT EXPRESS WRITTEN PERMISSION.

REVISIONS			305-0506	SH 2	
REV	EO	DESCRIPTION	OWN	APPROVED	DATE
E	13380	UPDATED DRAWING & DELETED NOTE SHEET 2 SEE ECD	R L	<i>RAM.</i>	4/20/00



RECOMMENDED
PANEL CUTOUT
SCALE: 2/1

RED INDICATES ORIGINAL



INCH	MM
.005	0.13
.030	0.76
.187	4.75
.218	5.54
.221	5.61
.505	12.83
.510	12.95
.562	14.27
.730	18.54
.775	19.69
1.290	32.77

4. CONCENTRIC TWINAX/TRIAX 2-LUG TRB BULKHEAD MOUNT FEEDTHRU RECEPTACLE
3. MAX PANEL THK .187
2. FINISH: TFS-1A (NICKEL)
1. ALL DIMS ARE INCHES

QTY	DESCRIPTION		PART NUMBER	ITEM			
TOL UNLESS SPECIFIED			BJ78TL				
.XX ±	DWN	R L	4/4/00	MATERIAL	CODE IDENT	DRAWING NO.	REV
.XXX ±	CHK	<i>RAM.</i>	4/19/00	—	14949	305-0506	E
.XXXX ±	ENGR	—		SCALE 4/1		DATE 9-20-83	SHEET 1C
ANGLES ±	APPR	<i>RAM.</i>	4/19/00	NEXT ASSY			