



Chipsmall Limited consists of a professional team with an average of over 10 year of expertise in the distribution of electronic components. Based in Hongkong, we have already established firm and mutual-benefit business relationships with customers from,Europe,America and south Asia,supplying obsolete and hard-to-find components to meet their specific needs.

With the principle of “Quality Parts,Customers Priority,Honest Operation,and Considerate Service”,our business mainly focus on the distribution of electronic components. Line cards we deal with include Microchip,ALPS,ROHM,Xilinx,Pulse,ON,Everlight and Freescale. Main products comprise IC,Modules,Potentiometer,IC Socket,Relay,Connector.Our parts cover such applications as commercial,industrial, and automotives areas.

We are looking forward to setting up business relationship with you and hope to provide you with the best service and solution. Let us make a better world for our industry!



Contact us

Tel: +86-755-8981 8866 Fax: +86-755-8427 6832

Email & Skype: info@chipsmall.com Web: www.chipsmall.com

Address: A1208, Overseas Decoration Building, #122 Zhenhua RD., Futian, Shenzhen, China



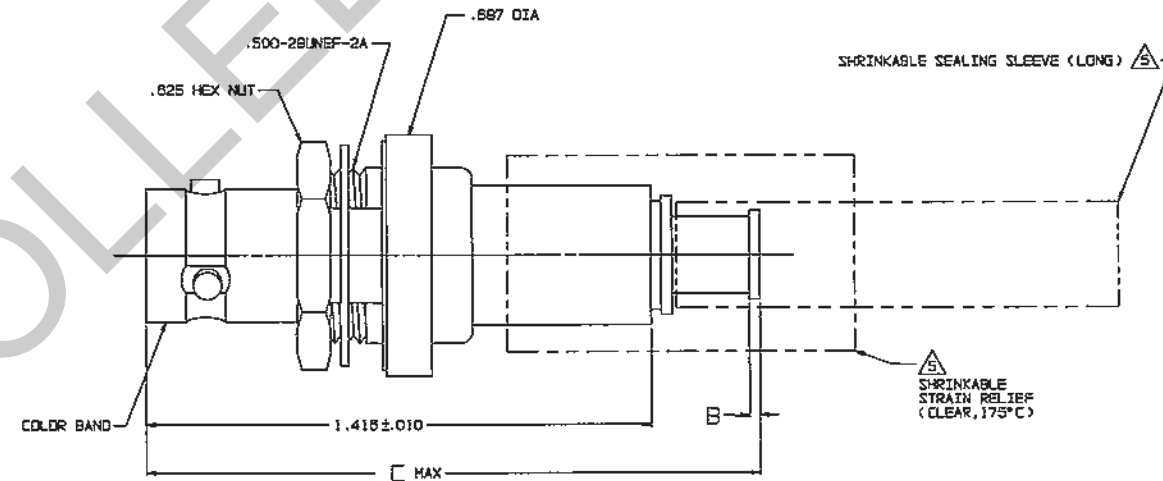
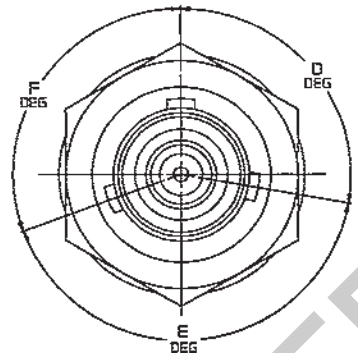
RED INDICATES ORIGINAL

DWG SIZE D	REVISIONS			3-0205	SH 1
	REV	ECO	DESCRIPTION	DWN	APPROVED
	W	12084	-306 TAI-218 WAS TAI-189; ADDED -308 & -309; SEE ECO	DKC	WJW/KA 8/26/99

DASH NO	CABLES ACCOMMODATED	A HEX	B DIM	C MAX	ASSEMBLY PER
-201	M17/176-00002				
-202	TWC-78-1				
-203	TWC-124-1A				
-204	10602, RAYCHEM				
-205	TWC-78-1F2				
-206	782600130, RAYCHEM			1.80	TAI-165
-207	83310, BELDEN				
-208	202-3927, MICRODOT				
-209	202-3942, MICRODOT				
-210	8451, BELDEN				
-211	202-3934, MICRODOT				
-212	2524E0114, RAYCHEM				
-213	TWC-78-2			1.55	TAI-138
-214	TWC-124-2				
-215	BL982, TIMES				
-216	BL 1242, TIMES				
-217	GC875TH24H, GRUMMAN				
-218	EQP221888, RAYCHEM				
-219	252601114, RAYCHEM	.344	.030		
-220	GC875RR1, GRUMMAN			1.80	TAI-165
-221	110814, RAYCHEM				
-222	110813, RAYCHEM				
-223	HMS2-1149, HUGHES				
-224	TWCP-124-3			1.55	TAI-138
-225	PS865PL, PRIME STOCK				
-301	GC875GC1, GRUMMAN				
-302	GC875GB1, GRUMMAN				
-303	7528A5314, RAYCHEM				TAI-168
-304					
-305	M17/177-00001 THERMATICS			1.60	
-306	TRC-50-2 M17/134-00002				TAI-218
-307	TRC-75-1				TAI-189
-308	TRC-75-2				TAI-218
-309	TRC-50-1				TAI-168

KEYING LETTER	D DEGREES	E DEGREES	F DEGREES	COLOR BAND
T	100°	150°	110°	RED
U	120°	130°	110°	ORANGE
V	115°	130°	115°	YELLOW
W	125°	110°	125°	GREEN
X	130°	100°	130°	BLUE
Y	110°	140°	110°	VIOLET
Z	100°	160°	100°	GRAY
S	135°	135°	90°	WHITE
NONE	120°	120°	120°	NONE

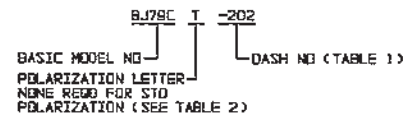
INCH	MM
.005	0.13
.010	0.25
.030	0.76
.109	2.77
.218	5.54
.221	5.61
.344	8.74
.505	12.63
.510	12.95
.525	13.30
.687	17.45
1.00	25.40
1.25	31.75
1.416	35.97
1.55	39.37
1.75	44.45
1.80	45.72



-202 SHOWN

7. FOR TOOL CRIMP CONNECTOR QUALIFIED TO MIL-C-49142, SEE DRAWING 3-0205 (BJ78MC)

6. EXAMPLE OF COMPLETE MODEL NO.



1 SHRINKABLE STRAIN RELIEF AND/OR SHRINKABLE SEALING SLEEVE SUPPLIED LOOSE AS FOLLOWS:

- a. CABLE GROUPS -201 THROUGH -210, -217 THROUGH -223, -301, -303, -305, -307 & -309

- 1 SHRINKABLE STRAIN RELIEF (1.00 LONG)
- 1 SHRINKABLE SEALING SLEEVE (1.25 LONG)

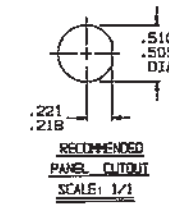
- b. CABLE GROUPS -211 THROUGH -216 AND -308 & -308
- 1 SHRINKABLE STRAIN RELIEF (1.75 LONG)

4. MAX PANEL THK .109

3. 3-LUG CONCENTRIC TWINAX/TRIAX TRG, FULL CRIMP CABLE RECEPTACLE

2. FINISH: TFS-1A (NICKEL)

1. ALL DIMENSIONS ARE IN INCHES



QTY	DESCRIPTION	PART NUMBER	ITEM
UNLESS SPECIFIED	TROMPETER RF connectivity	BJ78C	
100 ± .005			
1000 ± .002			
ANALYSIS			
DWN	DKC	8-1-97	MATERIAL CODE IDENT
CHK	WJW	8-1-97	14949
ENGR			3-0205
APPR			REV W
NEXT ASSY			SCALE 4/1 DATE 11-11-85 SHEET 1 OF 2