



Chipsmall Limited consists of a professional team with an average of over 10 year of expertise in the distribution of electronic components. Based in Hongkong, we have already established firm and mutual-benefit business relationships with customers from,Europe,America and south Asia,supplying obsolete and hard-to-find components to meet their specific needs.

With the principle of “Quality Parts,Customers Priority,Honest Operation,and Considerate Service”,our business mainly focus on the distribution of electronic components. Line cards we deal with include Microchip,ALPS,ROHM,Xilinx,Pulse,ON,Everlight and Freescale. Main products comprise IC,Modules,Potentiometer,IC Socket,Relay,Connector.Our parts cover such applications as commercial,industrial, and automotives areas.

We are looking forward to setting up business relationship with you and hope to provide you with the best service and solution. Let us make a better world for our industry!



Contact us

Tel: +86-755-8981 8866 Fax: +86-755-8427 6832

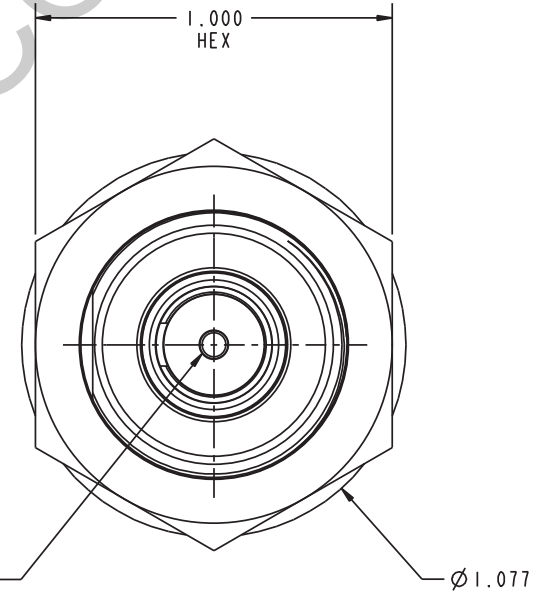
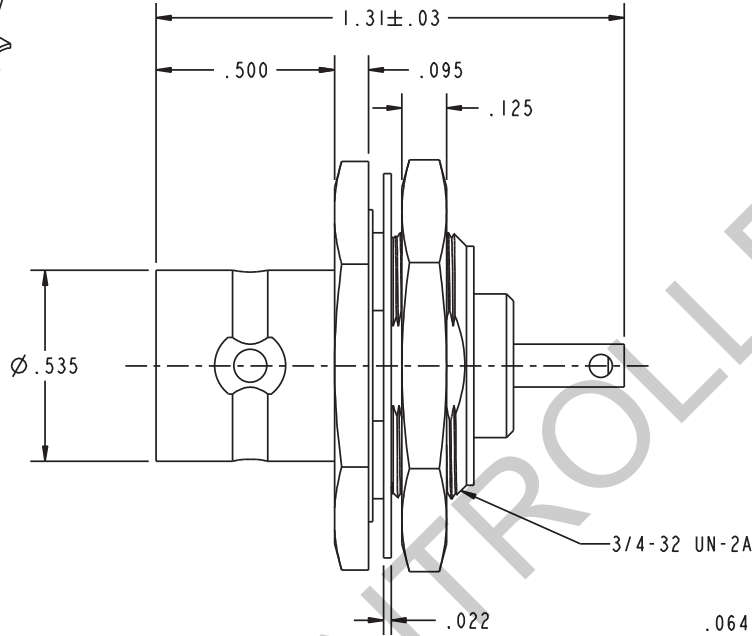
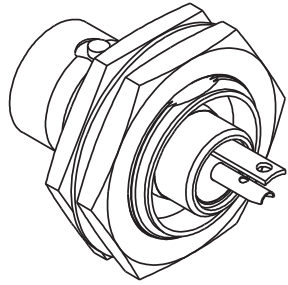
Email & Skype: info@chipsmall.com Web: www.chipsmall.com

Address: A1208, Overseas Decoration Building, #122 Zhenhua RD., Futian, Shenzhen, China

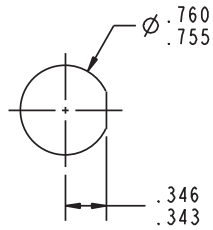


REVISIONS			
REV	DESCRIPTIONS	DATE	APPROVED
L	ECO 53348	6/14/11	CSM

DATA CONTAINED IN THIS DOCUMENT IS PROPRIETARY TO CINCH CONNECTIVITY SOLUTIONS AND SHALL NOT BE DISCLOSED, COPIED OR USED FOR PRODUCTION OR MANUFACTURE WITHOUT EXPRESS WRITTEN PERMISSION



SOLDER POT ACCEPTS .064 DIAMETER CONDUCTOR



RECOMMENDED PANEL CUTOUT

3. PIN CONTACT CONCENTRIC TWINAX/ TRIAX TRC SERIES ("C" SIZE) SOLDER POT BULKHEAD MOUNT RECEPTACLE
2. MAX PANEL THICKNESS .156
1. FINISH: TFS-1A (NICKEL)

NOTES: UNLESS OTHERWISE SPECIFIED.

INTERPRET DRAWING PER MIL-STD-100 DIMENSIONS ARE IN INCHES AND INCLUDE FINISH THICKNESS UNLESS OTHERWISE SPECIFIED.

DATE	6/14/11
CHK	CSM 6/15/11
QUALITY	
REWORK	
APPROVED	
PROVE FILE NO.	1-0402

TOL: UNLESS SPECIFIED:
 .125 ± .02
 .125 ± .010
 .125 ± .0010
 ANGLE ± 1° 00'
 CRITICAL

cinch Connectivity Solutions
 299 Johnson Ave. Ste. 100
 Waseca, MN 56093
 1-800-247-8256

MATERIAL:		TITLE: BJ80	
FINISH:		SIZE	CAGE CODE
		B	14949
		DRAWING NO.	1-0402
		REV.	L
SCALE		DATE	SHEET
3/1		6/14/11	1 OF 2