



Chipsmall Limited consists of a professional team with an average of over 10 year of expertise in the distribution of electronic components. Based in Hongkong, we have already established firm and mutual-benefit business relationships with customers from,Europe,America and south Asia,supplying obsolete and hard-to-find components to meet their specific needs.

With the principle of “Quality Parts,Customers Priority,Honest Operation,and Considerate Service”,our business mainly focus on the distribution of electronic components. Line cards we deal with include Microchip,ALPS,ROHM,Xilinx,Pulse,ON,Everlight and Freescale. Main products comprise IC,Modules,Potentiometer,IC Socket,Relay,Connector.Our parts cover such applications as commercial,industrial, and automotives areas.

We are looking forward to setting up business relationship with you and hope to provide you with the best service and solution. Let us make a better world for our industry!



Contact us

Tel: +86-755-8981 8866 Fax: +86-755-8427 6832

Email & Skype: info@chipsmall.com Web: www.chipsmall.com

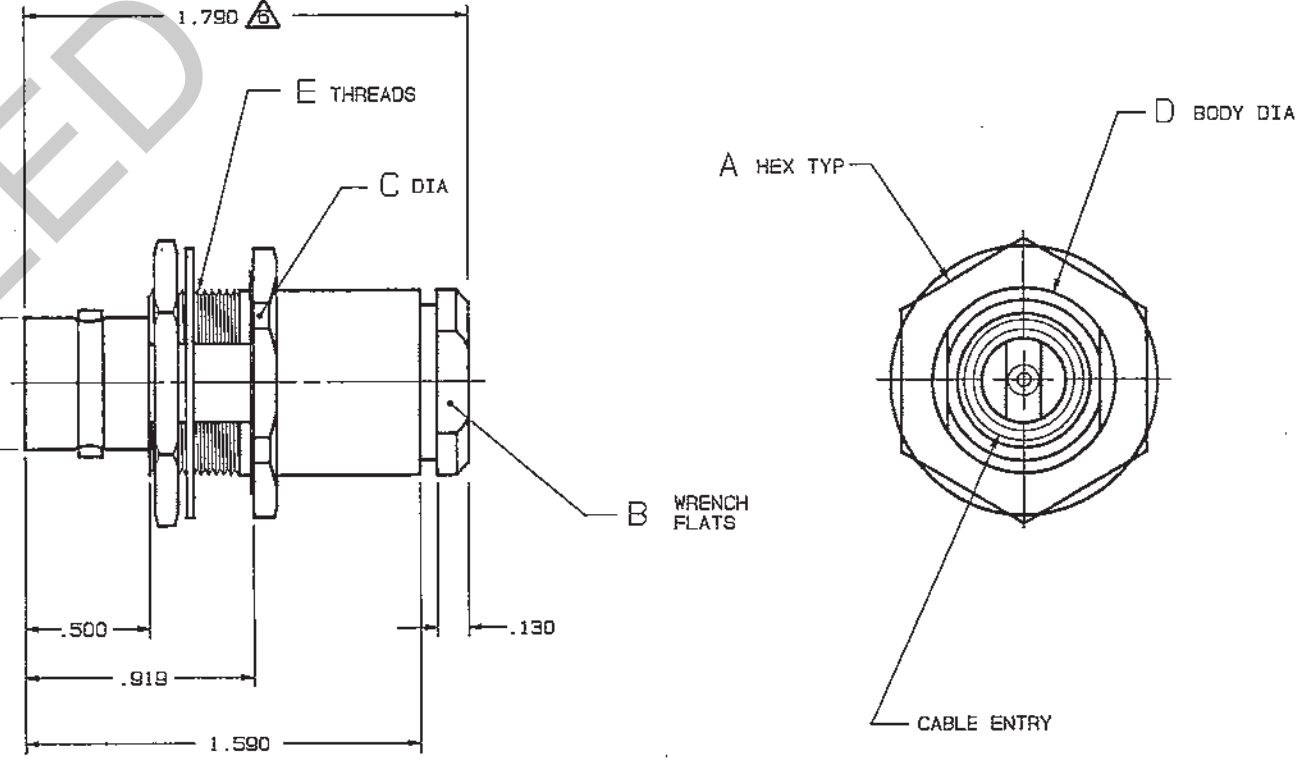
Address: A1208, Overseas Decoration Building, #122 Zhenhua RD., Futian, Shenzhen, China



DASH NO	CABLES ACCOMMODATED	FIG	A HEX	B FLATS	C DIA	D DIA	E THREADS	ASSEMBLE PER
-7	TRC-50-2/TRC-75-2							TAI-175
-8	8227 BELDEN							
-9	TWC-78-2, RG-108 TWC-124-2							TAI-116
-10	754E W.E.CO. .RG-22	1	1.000	.625	1.090	.750	.750-32UN-2A	
-11	760A W.E.CO.							
-12	16 PEVL W.E.CO.							
-13	TRF-59 TIMES							
-13A	8232 BELDEN							
-14	21-529 ESSEX 8233 BELDEN							TAI-175
-14A	TRC-50-4A							
-15	21-583 ESSEX	2	1.250	.875	1.375	1.000	1.000-28UN-2A	
-16	21-950 ESSEX							
-26	275-3962 MICRODOT							TAI-175
-29	TWC-124-1A							TAI-116
-32	TRC-50-1	1	1.000	.625	1.090	.750	.750-32UN-2A	
-42	21-204 ESSEX							
-46	9860 BELDEN							
-54	89207 BELDEN							
-61	5012W5812 RAYCHEM							
-62	7518A0811 RAYCHEM	2	1.250	.875	1.375	1.000	1.000-28UN-2A	TAI-175

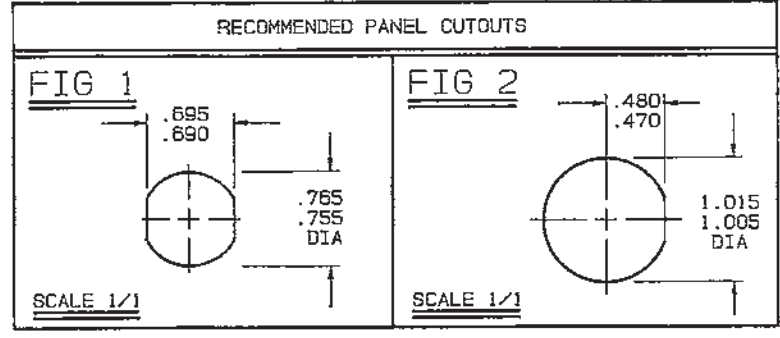
INCH	MM
.005	0.13
.130	3.30
.250	6.35
.470	11.94
.480	12.19
.500	12.70
.535	13.59
.625	15.88
.690	17.53
.695	17.65
.750	19.05
.755	19.18
.765	19.43
.875	22.23
.919	23.34
1.000	25.40
1.005	25.53
1.015	25.78
1.090	27.69
1.250	31.75
1.375	34.93
1.590	40.39
1.790	45.47

RED INDICATES ORIGINAL



-10 SHOWN

- △ DIM IS MAX WHEN ASSEMBLED TO CABLE
- 5. CONCENTRIC TWINAX/TRIAX "C" STYLE BULKHEAD MOUNT RECEPTACLE W/PIN CENTER CONTACT
- △ MAX PANEL THK .250
- 3. INTERFACE: TCS-BJ80
- 2. FINISH: TFS-1A (NICKEL)
- 1. ALL DIM ARE IN INCHES



QTY	DESCRIPTION	PART NUMBER	ITEM
TOL UNLESS SPECIFIED .XX ± .XXX ± .005 .XXXX ± ANGLES ±	TROMPETER RF connectivity	BJ89	
DWN	J S 2/28/91	MATERIAL	CODE IDENT
CHK	E.M. 3/1/91	14949	DRAWING NO. 3-0035
ENGR			REV K
APPR	3-7-91	SCALE 2/1	DATE 5/22/79 SHEET 1 OF 2