



Chipsmall Limited consists of a professional team with an average of over 10 year of expertise in the distribution of electronic components. Based in Hongkong, we have already established firm and mutual-benefit business relationships with customers from,Europe,America and south Asia,supplying obsolete and hard-to-find components to meet their specific needs.

With the principle of “Quality Parts,Customers Priority,Honest Operation,and Considerate Service”,our business mainly focus on the distribution of electronic components. Line cards we deal with include Microchip,ALPS,ROHM,Xilinx,Pulse,ON,Everlight and Freescale. Main products comprise IC,Modules,Potentiometer,IC Socket,Relay,Connector.Our parts cover such applications as commercial,industrial, and automotives areas.

We are looking forward to setting up business relationship with you and hope to provide you with the best service and solution. Let us make a better world for our industry!



## Contact us

Tel: +86-755-8981 8866 Fax: +86-755-8427 6832

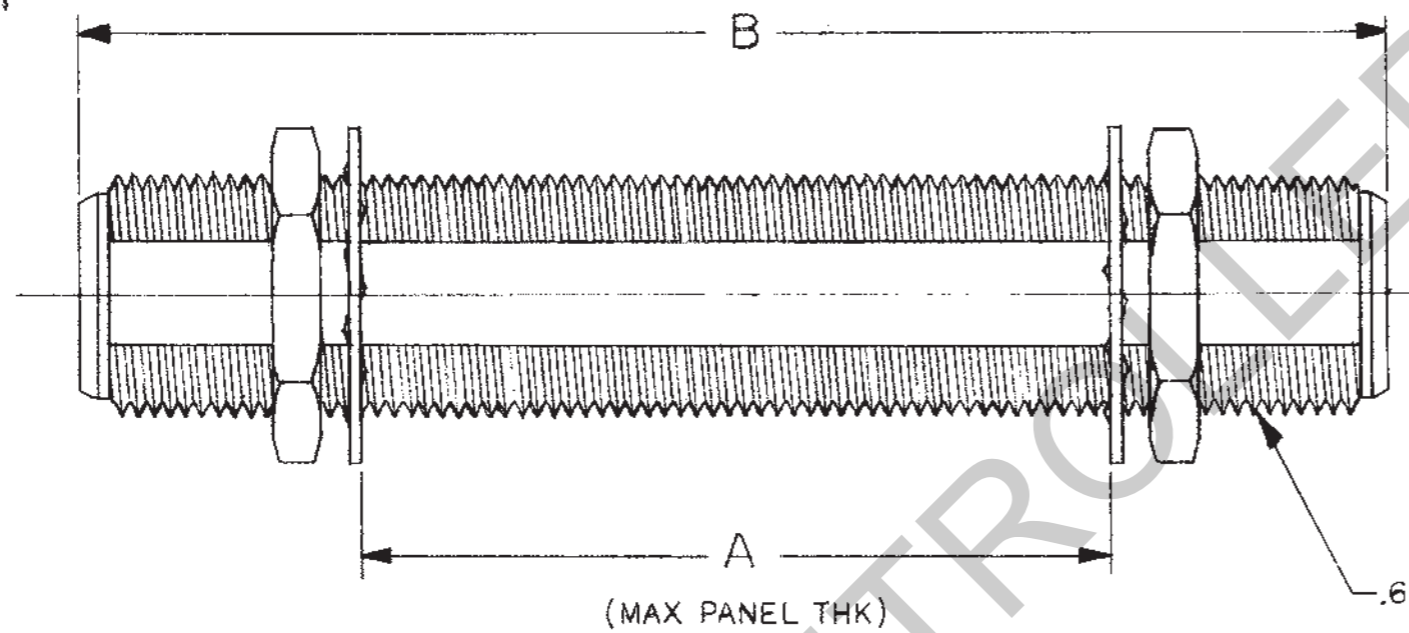
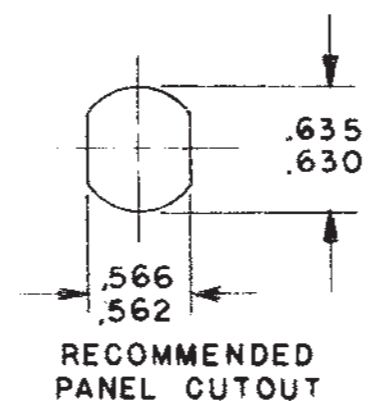
Email & Skype: info@chipsmall.com Web: www.chipsmall.com

Address: A1208, Overseas Decoration Building, #122 Zhenhua RD., Futian, Shenzhen, China

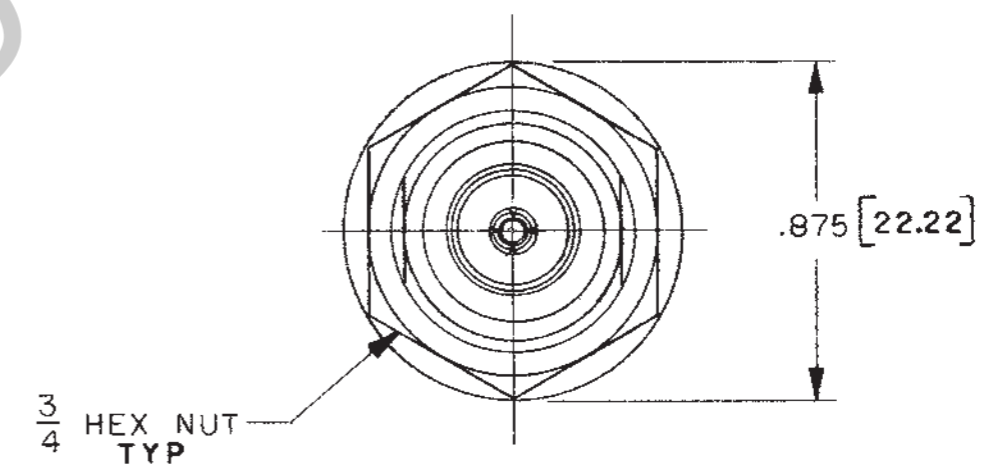


DASH NO	A DIM	B DIM	DASH NO	A DIM	B DIM
- 1			- 6	1.50	2.75
- U1	.25	1.50	- U6	1.50	2.75
- 2			- 7	1.75	3.00
- U2	.50	1.75	- U7	1.75	3.00
- 3			- 8	2.00	3.25
- U3	.75	2.00	- U8	2.00	3.25
- 4			- 9	2.25	3.50
- U4	1.00	2.25	- U9	2.25	3.50
- 5					
- U5	1.25	2.50			

INCH	MM
.25	6.35
.50	12.70
.562	14.27
.566	14.38
.630	16.00
.635	16.13
.75	19.05
1.00	25.40
1.25	31.75
1.50	38.10
1.75	44.45
2.00	50.80
2.25	57.15
2.50	63.50
2.75	69.85
3.00	76.20
3.25	82.55
3.50	88.90



REVISIONS			1000-0416		SH 1
REV	EO	DESCRIPTION	DWN	APPROVED	DATE
A	2708	REV PER EO, -9 WAS BASIC	CU	<i>[Signature]</i>	12-6-74
B	2942	REV ITEMS 5 & 6	MCW	<i>[Signature]</i>	7-21-75
C	4548	ADDED 75 OHM VERSION	CSB	<i>[Signature]</i>	6-13-79



.625-24UNEF-2A

4. "U" PREFIX DENOTES 75 OHM VERSION
3. FEMALE TYPE N COAXIAL BULKHEAD  
FEED THRU JACK BOTH 50 & 75 OHM VERSIONS
2. FINISH: NICKEL (TFS-1A)
1. ALL DIM ARE REF IN INCHES [MM]

QTY	DESCRIPTION	PART NUMBER	ITEM
TOL UNLESS SPECIFIED .XX ± .XXX ± .XXXX ± ANGLES ±			
DWN	JKR 10-1-73		
CHK	<i>[Signature]</i> 10-16-73	—	14949
ENGR	<i>[Signature]</i> 10-1-73	SCALE NONE	DATE 10-1-73
APPR	<i>[Signature]</i> 10/18/73	DRAWING NO. 1000-0416	
NEXT ASSY		REV C	
		SHEET 1 OF 2	