



Chipsmall Limited consists of a professional team with an average of over 10 year of expertise in the distribution of electronic components. Based in Hongkong, we have already established firm and mutual-benefit business relationships with customers from,Europe,America and south Asia,supplying obsolete and hard-to-find components to meet their specific needs.

With the principle of "Quality Parts,Customers Priority,Honest Operation,and Considerate Service",our business mainly focus on the distribution of electronic components. Line cards we deal with include Microchip,ALPS,ROHM,Xilinx,Pulse,ON,Everlight and Freescale. Main products comprise IC,Modules,Potentiometer,IC Socket,Relay,Connector.Our parts cover such applications as commercial,industrial, and automotives areas.

We are looking forward to setting up business relationship with you and hope to provide you with the best service and solution. Let us make a better world for our industry!



Contact us

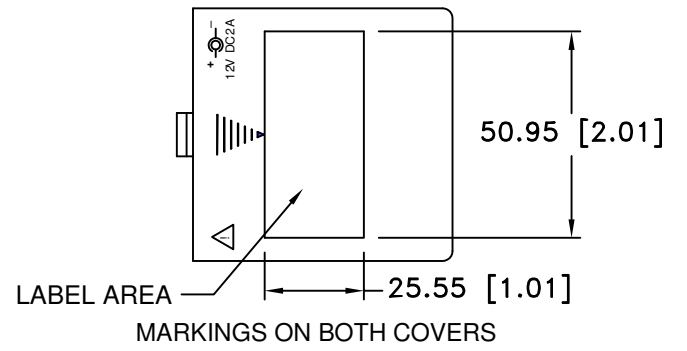
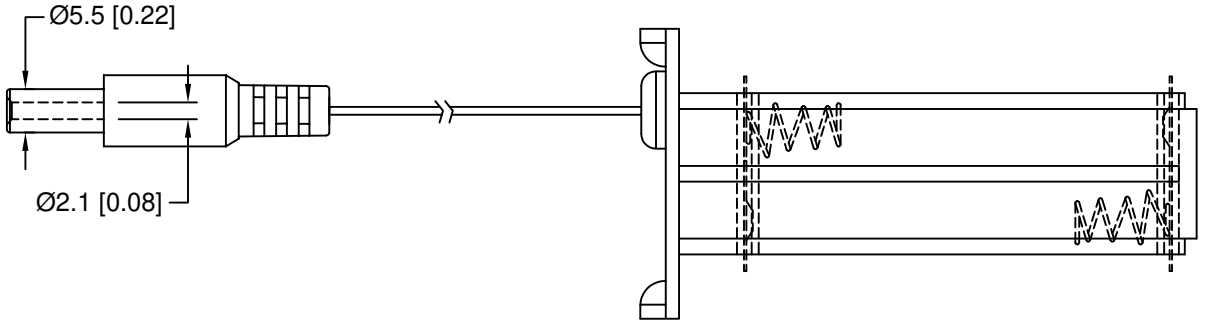
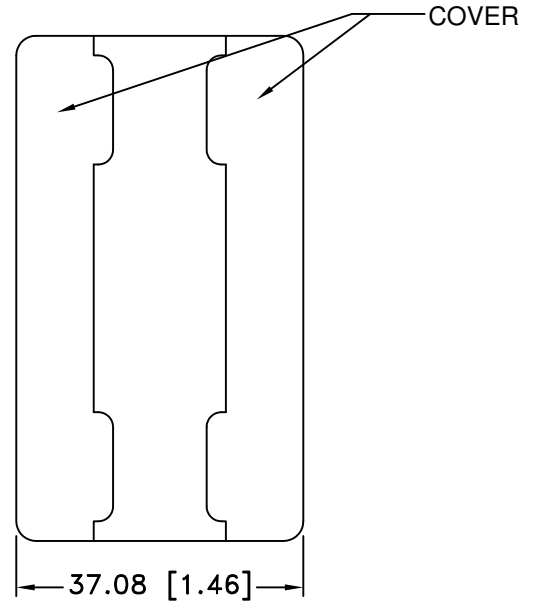
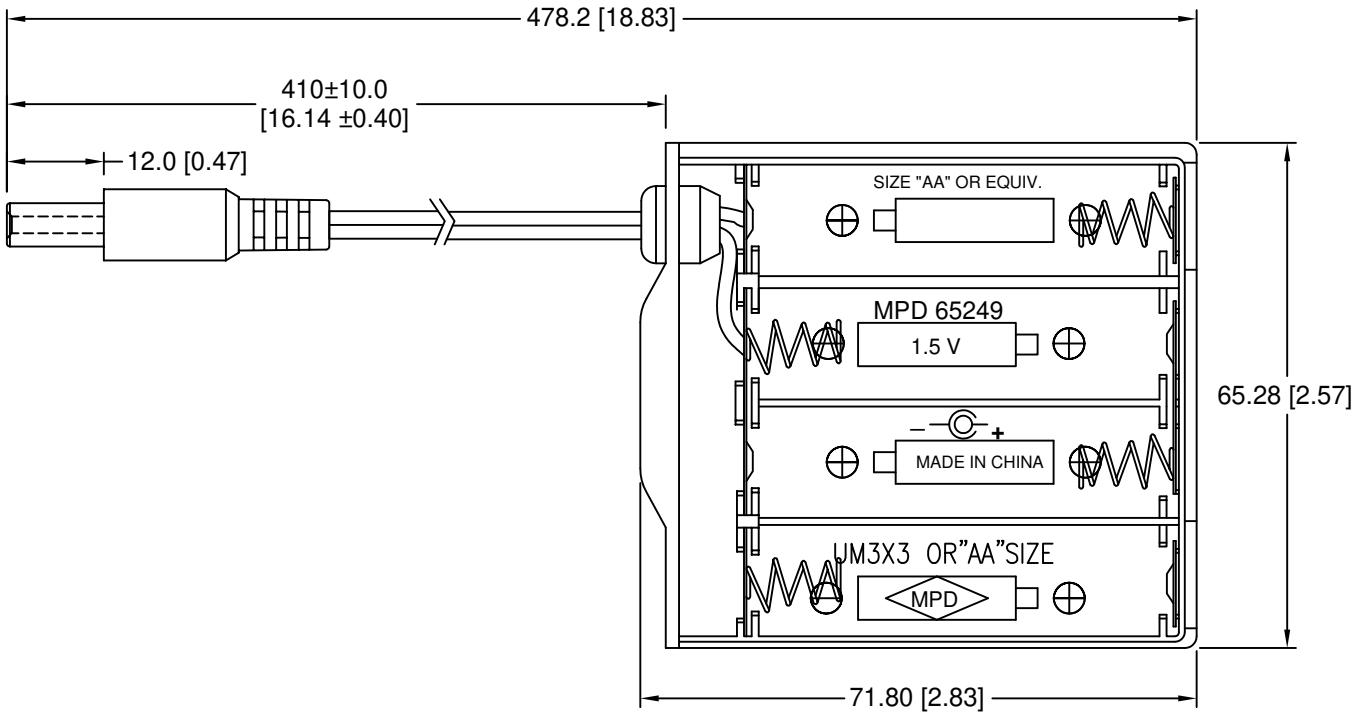
Tel: +86-755-8981 8866 Fax: +86-755-8427 6832

Email & Skype: info@chipsmall.com Web: www.chipsmall.com


Address: A1208, Overseas Decoration Building, #122 Zhenhua RD., Futian, Shenzhen, China



Date	SYM	REVISION RECORD	AUTH	DR.	CK.
09/27/03	A	ADDED DIMENSIONS FOR PLUG	T.B.	B.S.	
05/08/09	B	ADDED "ROHS COMPLIANT"	T.B.	B.S.	
07/09/09	C	DIM. 12.0 WAS 11.5. DIM. 410.0 WAS 406.4. 26 AWG WAS 24AWG	T.B.	B.S.	



NOTES:
 1. MATERIAL:
 HOUSING : BLACK POLYPROPYLENE, UL94V-0, 2% TO 5%TALC FILLED
 SPRING: SPRING STEEL, NICKLE PLATED
 CONTACTS: SPRING STEEL, NICKLE PLATED
 WIRE: 26AWG, BLACK FOR POSITIVE TERMINAL, BLACK W/WHITE TRACER FOR NEGATIVE TERMINAL
 ROHS COMPLIANT

Tolerance (Except as noted)	 Memory Protection Devices, Inc 200 Broad Hollow Road, Farmingdale, New York 11735	Scale	Drawn By B.S.
			Approved By T.B.
decimal ±.5 (.020)	Title EIGHT "AA" CELL HOLDER WITH COVERS	Date 07/09/09	
Fractional ± .8 (.030)		Drawing Number BK-030	
Angular ± 3°			