



Chipsmall Limited consists of a professional team with an average of over 10 year of expertise in the distribution of electronic components. Based in Hongkong, we have already established firm and mutual-benefit business relationships with customers from,Europe,America and south Asia,supplying obsolete and hard-to-find components to meet their specific needs.

With the principle of “Quality Parts,Customers Priority,Honest Operation,and Considerate Service”,our business mainly focus on the distribution of electronic components. Line cards we deal with include Microchip,ALPS,ROHM,Xilinx,Pulse,ON,Everlight and Freescale. Main products comprise IC,Modules,Potentiometer,IC Socket,Relay,Connector.Our parts cover such applications as commercial,industrial, and automotives areas.

We are looking forward to setting up business relationship with you and hope to provide you with the best service and solution. Let us make a better world for our industry!



Contact us

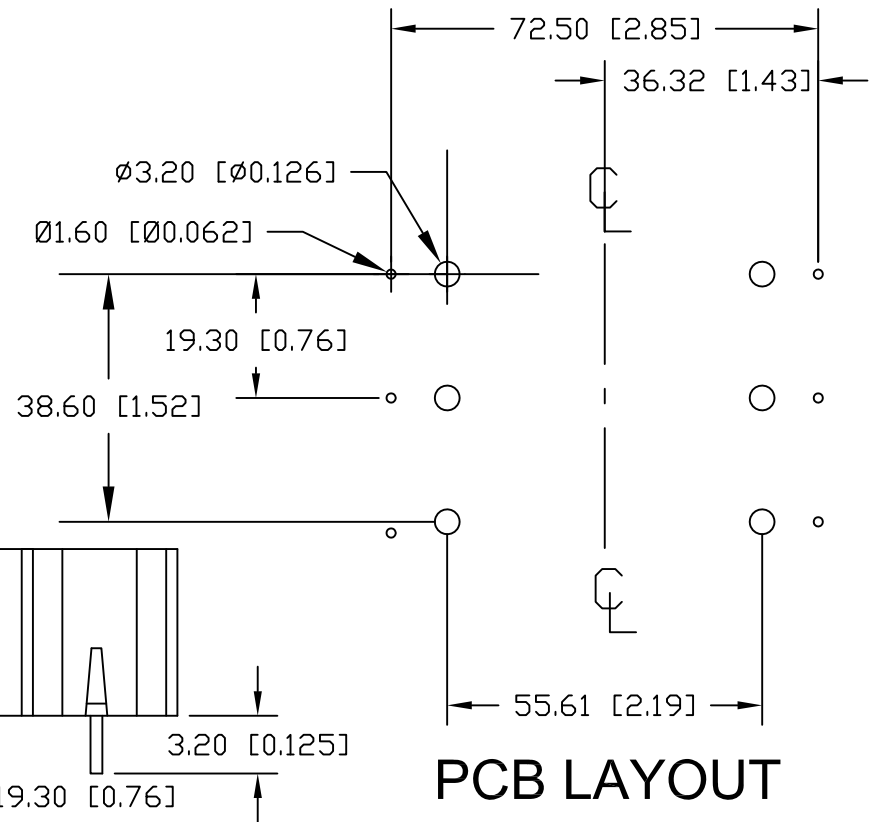
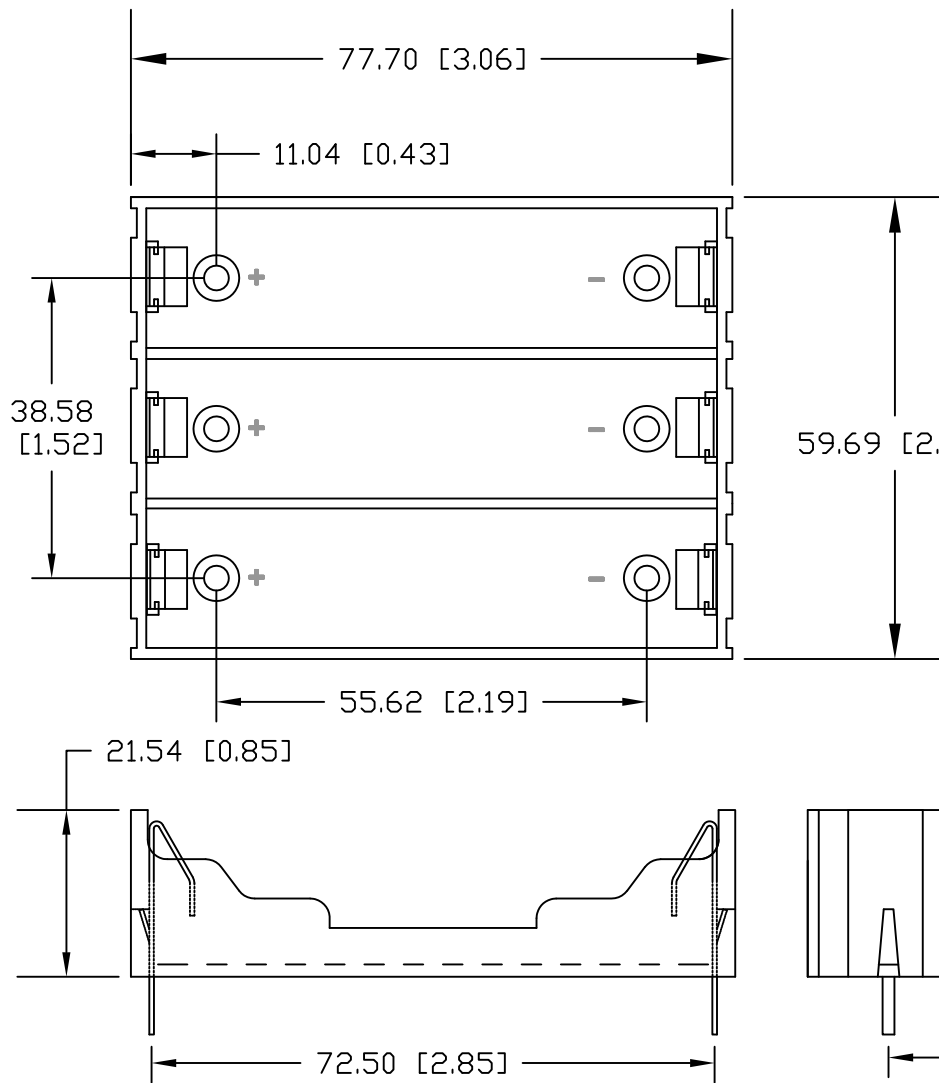
Tel: +86-755-8981 8866 Fax: +86-755-8427 6832

Email & Skype: info@chipsmall.com Web: www.chipsmall.com

Address: A1208, Overseas Decoration Building, #122 Zhenhua RD., Futian, Shenzhen, China




| Date | SYM | REVISION RECORD | AUTH | DR. | CK. |
|----------|-----|---|------|-----|-----|
| 1/15/10 | C | REDESIGNED | T B | B S | |
| 1/29/10 | D | Added window to lock contacts in place | T B | B S | |
| 6/18/10 | E | Removed board locking feature from pins | T B | B S | |
| 09/16/11 | F | Updated notes | T B | B S | |
| 10/26/12 | G | Dim. Ø1.60 was Ø1.19 | T B | B S | |
| | | | | | |



PCB LAYOUT

NOTES:

Material: Self-extinguishing Thermoplastic Polyester, color black
 Temperature Range: -40°C to +180°C
 Contacts: 302 Stainless Steel Spring Temper, Nickel Plated
 Flamability Rating: UL 94V-0
 Dielectric Strength: 560 Volts/Mil. at 25°C for 5 Sec.
 Resistance to Solvents: Xylene, ethyl, butyl, methyl & toluene
 Weight: 29.07g.
 ROHS COMPLIANT

| | | | |
|--------------------------|---|-----------------------------------|--|
| Tolerance (Inches) |  Memory Protection Devices, Inc 200 Broad Hollow Road, Farmingdale, New York 11735 | | |
| Decimal ±.5 (.020) | Scale | Drawn By B.S. Approved By T.B. | |
| Fractional ±.8 (.030) | Title THREE 18650 LI-ION CELL HOLDER | | |
| Angular ± 3° | Date 10/26/12 | Drawing Number BK-18650-PC6 | |