



Chipsmall Limited consists of a professional team with an average of over 10 year of expertise in the distribution of electronic components. Based in Hongkong, we have already established firm and mutual-benefit business relationships with customers from,Europe,America and south Asia,supplying obsolete and hard-to-find components to meet their specific needs.

With the principle of "Quality Parts,Customers Priority,Honest Operation,and Considerate Service",our business mainly focus on the distribution of electronic components. Line cards we deal with include Microchip,ALPS,ROHM,Xilinx,Pulse,ON,Everlight and Freescale. Main products comprise IC,Modules,Potentiometer,IC Socket,Relay,Connector.Our parts cover such applications as commercial,industrial, and automotives areas.

We are looking forward to setting up business relationship with you and hope to provide you with the best service and solution. Let us make a better world for our industry!



Contact us

Tel: +86-755-8981 8866 Fax: +86-755-8427 6832

Email & Skype: info@chipsmall.com Web: www.chipsmall.com

Address: A1208, Overseas Decoration Building, #122 Zhenhua RD., Futian, Shenzhen, China



PCB Fuseclips for ATC/ATM Blade, 5mm, 1/4" & 13/32" Diameter Fuses

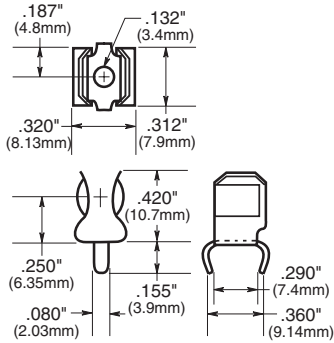
1AXXXX Series

For 1/4" Diameter Fuses

1A1119 Series

With End Stops and Angled-In leads

Dimensions - in (mm)



Catalog Number*	Clip Mat.**	Finish
1A1119-04	High Performance Cu [†]	Bright Tin
1A1119-05	High Performance Cu [†]	Silver
1A1119-10	Cart. Brass	Bright Tin

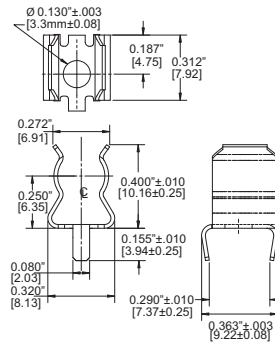
* For RoHS compliant version of "-04" and "-10" add "-R" option code suffix to part number. 1A1119-05 is RoHS compliant.
** High Performance Cu = High Performance Copper, Cart. Brass = Cartridge Brass
† High Performance Cu recommended for currents higher than 15 amps.



1A1120 Series

Without End Stops and Angled-In Leads

Dimensions - in (mm)



Catalog Number*	Clip Mat.**	Finish
1A1120-02	Cart. Brass	Bright Dip
1A1120-05	High Performance Cu [†]	Silver
1A1120-06	High Performance Cu [†]	Bright Tin
1A1120-09	Cart. Brass	Bright Tin

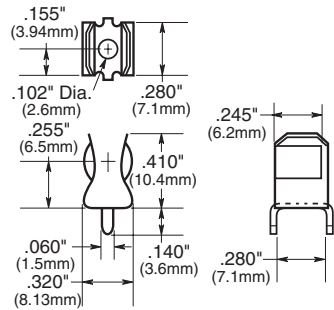
* For RoHS compliant version of "-02," "-06" and "-09" add "-R" option code suffix to part number. 1A1120-05 is RoHS compliant.
** High Performance Cu = High Performance Copper, Cart. Brass = Cartridge Brass
† High Performance Cu recommended for currents higher than 15 amps.



1A1907 Series

With End Stops & Straight Leads

Dimensions - in (mm)



Catalog Number*	Clip Mat.**	Finish
1A1907-02	Cart. Brass	None Bright Dipped
1A1907-03	High Performance Cu [†]	Bright Tin
1A1907-05	High Performance Cu [†]	Silver
1A1907-06	Cart. Brass	Bright Tin

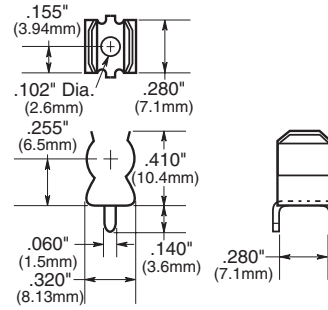
* For RoHS compliant version of "-02," "-03" and "-06" add "-R" option code suffix to part number. 1A1907-05 is RoHS compliant.
** High Performance Cu = High Performance Copper, Cart. Brass = Cartridge Brass
† High Performance Cu recommended for currents higher than 15 amps.



1A3398 Series

Without End Stops & Straight Leads

Dimensions - in (mm)



Catalog Number*	Clip Mat.**	Finish
1A3398-07	Cart. Brass	Bright Tin

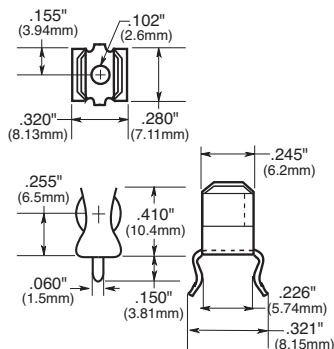
* For RoHS compliant version of "-07" add "-R" option code suffix to part number.
** Cart. Brass = Cartridge Brass



1A4534 Series

With End Stops & Angled Out Leads

Dimensions - in (mm)



Catalog Number*	Clip Mat.**	Finish
1A4534-01	High Performance Cu [†]	Bright Tin
1A4534-06	Cart. Brass	Bright Tin

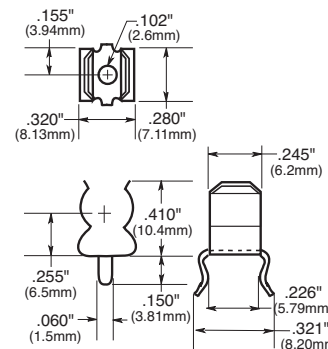
* For RoHS compliant version add "-R" option code suffix to part number.
** High Performance Cu = High Performance Copper, Cart. Brass = Cartridge Brass
† High Performance Cu recommended for currents higher than 15 amps.



1A4533 Series

Without End Stops & Angled Out Leads

Dimensions - in (mm)



Catalog Number*	Clip Mat.**	Finish
1A4533-01	High Performance Cu [†]	Bright Tin
1A4533-06	Cart. Brass	Bright Tin

* For RoHS compliant version add "-R" option code suffix to part number.
** High Performance Cu = High Performance Copper, Cart. Brass = Cartridge Brass
† High Performance Cu recommended for currents higher than 15 amps.



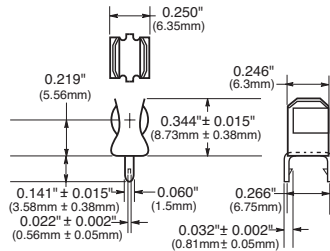
PCB Fuseclips for ATC/ATM Blade, 5mm, 1/4" & 13/32" Diameter Fuses

1AXXX Series

For 5mm Diameter Fuses

1A5601 Series (0 to 7 amps)

Dimensions - in (mm)

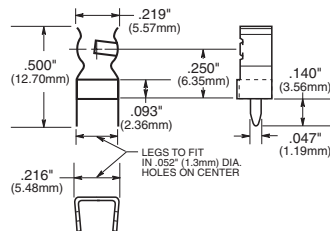


Catalog Number	Clip Mat.*	Finish
1A5601	Cart. Brass	Bright Tin

* Cart. Brass = Cartridge Brass

1A5602 Series (0 to 7 Amps)

Dimensions - in (mm)



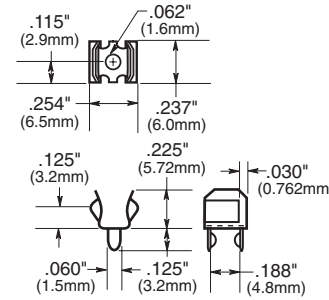
Catalog Number	Clip Mat.*	Finish
1A5602	Cart. Brass	Bright Tin

* Cart. Brass = Cartridge Brass

1A3399 and 1A5018 Series

With Straight Leads

Dimensions - in (mm)



Catalog Number*	Clip Mat.**	Finish
1A3399-10	Spg. Br.	Bright Tin
1A3399-01	BeCu†	Silver
1A3399-04	BeCu†	Bright Tin

* For RoHS compliant version of "-10" and "-04" add "-R" option code suffix to part number. 1A3399-01 is RoHS compliant.

** Spg. Br. - Spring Bronze, BeCu = Beryllium Copper

† Beryllium Copper recommended for currents higher than 15 amps.

High Profile

Catalog Number*	Clip Mat.**	Finish
1A5018-10	Spg. Br.	Bright Tin
1A5018-07	Spg. Br.	Silver

* For RoHS compliant version of "-10" add "-R" option code suffix to part number. 1A5018-07 is RoHS compliant.

** Spg. Br. - Spring Bronze

Specifications

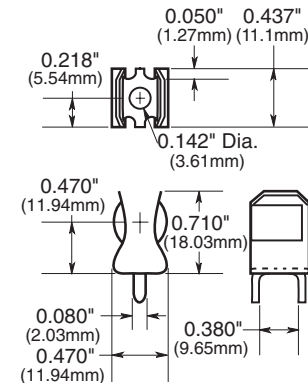
5mm PCB Mount Fuseclips
Current Rating: 15A
Voltage Rating: 500Vac
PCB Terminals: Solder Lug

For 13/32" Diameter Fuses

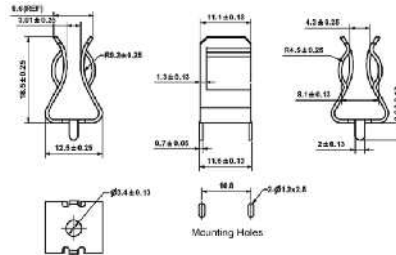
1A3400 Series

With End Stops & Straight Leads

Dimensions - in (mm)



1A3400-09 & 1A3400-10



1A3400-12

Specifications:

Catalog Number*	Clip Material	Finish	Amp Rating
1A3400-09	Copper-Clad Steel	Bright Tin	20A Max.
1A3400-10	Copper-Clad Steel	Silver	30A Max.
1A3400-12	Spring Brass	Bright Tin	15A Max.

* For RoHS compliant version of "-09" and "-12" add "-R" option code suffix to part number. 1A3400-10 is RoHS compliant.

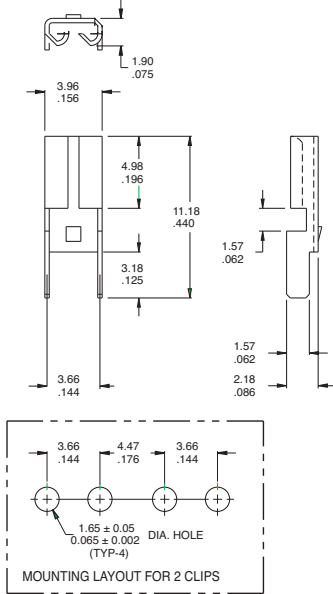
PCB Fuseclips for ATC/ATM Blade, 5mm, 1/4" & 13/32" Diameter Fuses

1AXXX Series

ATM Fuses

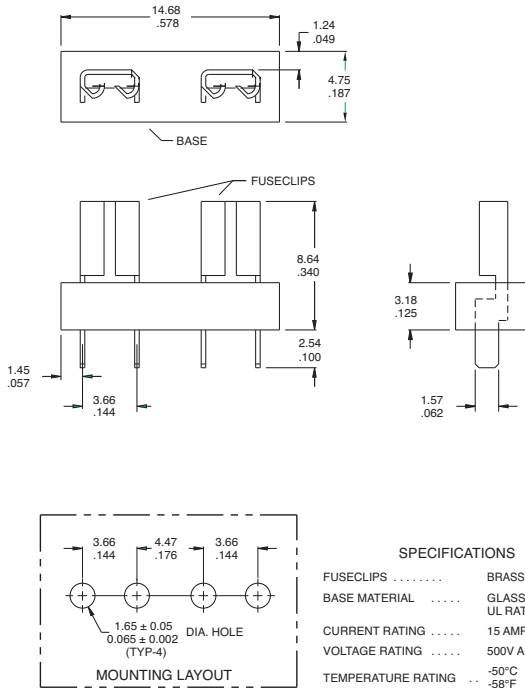
1A5778 Series

Dimensions - mm (in)



MATERIAL: BRASS, NICKEL PLATED, .30 THICK
.012

1A5779 Series

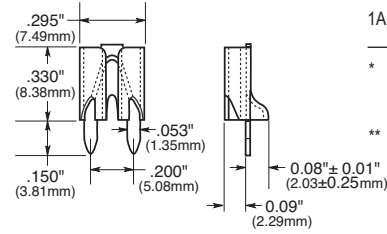


SPECIFICATIONS
 FUSECLIPS BRASS, NICKEL PLATED
 BASE MATERIAL GLASS FILLED NYLON, UL RATED 94V-0
 CURRENT RATING 15 AMPS
 VOLTAGE RATING 500V AC
 TEMPERATURE RATING .. -50°C TO 145°C
 -58°F TO 292°F

ATC Fuses (0 to 20 Amps)

1A5600 Series

Dimensions - in (mm)

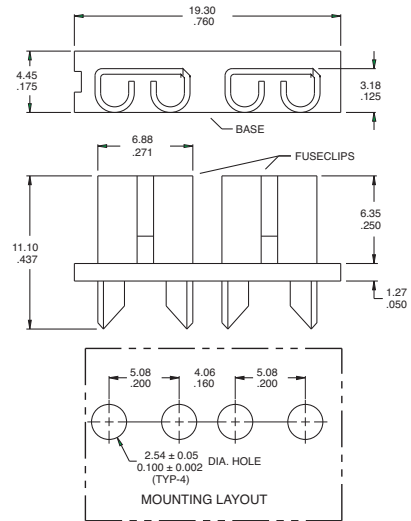


Catalog Number*	Clip Mat.**	Finish
1A5600	Cart. Brass	Satin Finish Tin

* For RoHS compliant version add "-R" option code suffix to part number. 1A3399-01 is RoHS compliant.
 ** Cart. Brass = Cartridge Brass

1A5780 Series

Dimensions - mm (in)



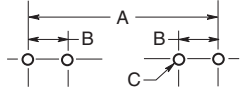
SPECIFICATIONS
 FUSECLIPS BRASS, NICKEL PLATED
 BASE MATERIAL GLASS FILLED NYLON, UL RATED 94V-0
 CURRENT RATING 15 AMPS
 VOLTAGE RATING 500V AC
 TEMPERATURE RATING .. -50°C TO 145°C
 -58°F TO 292°F

PCB Fuseclips for ATC/ATM Blade, 5mm, 1/4" & 13/32" Diameter Fuses

1AXXXX Series

Fuseclip Catalog Numbers

Recommended Pad Layout Dimensions - in (mm)



Dimensions

Catalog Number	A					ATC	ATM	B Tabs	C (4 holes)	Board Thickness
	7/8" (22.2mm)	1" (25.4mm)	1 1/4" (31.8mm)	1 1/8" (34.93mm)	1 1/2" (38.10mm)					
1A5778-	—	—	—	—	—	—	0.464" (11.79)	0.144" (3.66)	0.065"±0.002" (1.65±0.05)	0.062" (1.57)
1A5779-	—	—	—	—	—	—	0.464" (11.79)	0.144" (3.66)	0.065"±0.002" (1.65±0.05)	0.062" (1.57)
1A5780-	—	—	—	—	—	0.560 (14.22)	—	0.200" (5.08)	0.100"±0.002" (2.54±0.05)	0.062" (1.57)
1A3398-	1.00" (25.40)	1.125" (28.58)	1.375" (34.920)	—	—	—	—	0.295"-0.305" (7.49-7.75)	0.067"-0.070" (1.70-1.78)	0.093" (2.36)
1A1907-	—	—	—	—	—	—	—	—	—	—
1A1119-	1.00" (25.40)	1.125" (28.58)	1.375" (34.92)	—	—	—	—	0.295"±0.305" (7.49-7.75)	0.093"±0.002" (2.36±0.05)	0.062" to 0.125" (1.57to3.18)
1A1120-	1.00" (25.40)	1.125" (28.58)	1.375" (34.920)	—	—	—	—	0.295"-0.305" (7.49-7.75)	0.093"±0.002" (2.36±0.05)	0.062" to 0.125" (1.57 to 3.18)
1A3399-	—	—	—	—	—	0.875" (22.23)	—	0.200" (5.08)	0.067"-0.070" (1.70-1.78)	0.093" (2.36)
1A3400-	—	—	—	1.50" (38.10)	1.625" (41.28)	—	—	0.405" (10.29)	0.091"-0.095" (2.31-2.41)	0.125" (3.18)
1A4533-	1.00" (25.40)	1.125" (28.58)	1.375" (34.920)	—	—	—	—	0.300" (7.62)	0.067"-0.070" (1.70-1.78)	0.062" (1.57)
1A4534-	1.00" (25.40)	1.125" (28.58)	1.375" (34.920)	—	—	—	—	0.300" (7.62)	0.067"-0.070" (1.70-1.78)	0.062" (1.57)
1A5018-	—	—	—	—	—	0.820"±0.015" (20.80±0.38)	—	0.180" (4.6)	0.053"-0.057" (1.35-0.05)	0.093" (2.36)
1A5600-	—	—	—	—	—	—	—	0.200" (5.08)	0.052"±0.003" (1.32±0.077)	0.125"max. (3.18)
1A5601-	—	—	—	—	—	0.820"±0.015" (20.80±0.38)	—	0.266" (6.76)	0.067"±0.003" (1.70±0.074)	0.062" (1.57)
1A5602-	—	—	—	—	—	—	—	0.220" (5.588)	—	0.125"max. (3.175)

The only controlled copy of this Data Sheet is the electronic read-only version located on the Eaton Network Drive. All other copies of this document are by definition uncontrolled. This bulletin is intended to clearly present comprehensive product data and provide technical information that will help the end user with design applications. Eaton reserves the right, without notice, to change design or construction of any products and to discontinue or limit distribution of any products. Eaton also reserves the right to change or update, without notice, any technical information contained in this bulletin. Once a product has been selected, it should be tested by the user in all possible applications.

Life Support Policy: Eaton does not authorize the use of any of its products for use in life support devices or systems without the express written approval of an officer of the Company. Life support systems are devices which support or sustain life, and whose failure to perform, when properly used in accordance with instructions for use provided in the labeling, can be reasonably expected to result in significant injury to the user.