



Chipsmall Limited consists of a professional team with an average of over 10 year of expertise in the distribution of electronic components. Based in Hongkong, we have already established firm and mutual-benefit business relationships with customers from,Europe,America and south Asia,supplying obsolete and hard-to-find components to meet their specific needs.

With the principle of “Quality Parts,Customers Priority,Honest Operation,and Considerate Service”,our business mainly focus on the distribution of electronic components. Line cards we deal with include Microchip,ALPS,ROHM,Xilinx,Pulse,ON,Everlight and Freescale. Main products comprise IC,Modules,Potentiometer,IC Socket,Relay,Connector.Our parts cover such applications as commercial,industrial, and automotives areas.

We are looking forward to setting up business relationship with you and hope to provide you with the best service and solution. Let us make a better world for our industry!



## Contact us

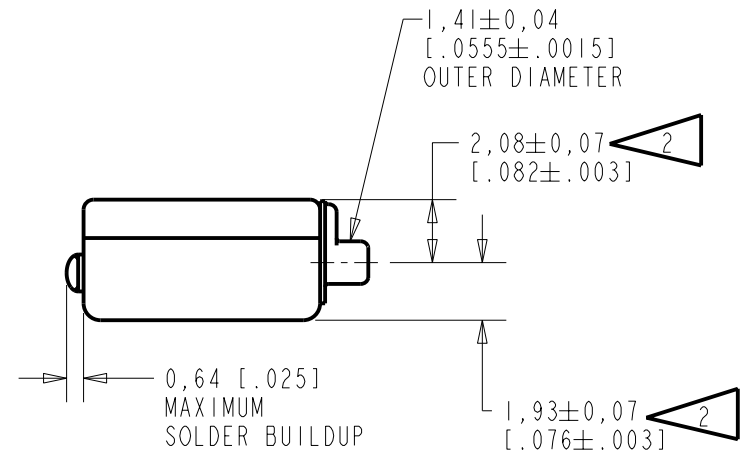
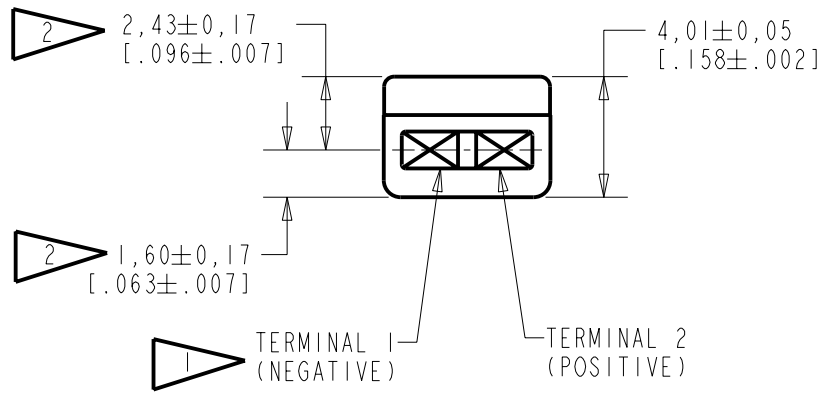
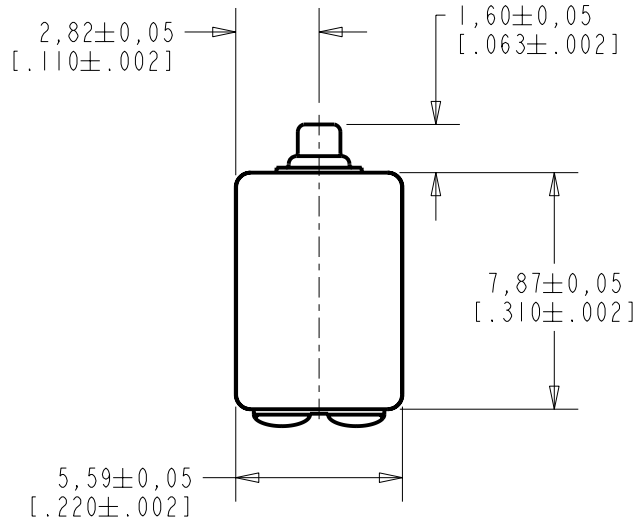
Tel: +86-755-8981 8866 Fax: +86-755-8427 6832

Email & Skype: info@chipsmall.com Web: www.chipsmall.com

Address: A1208, Overseas Decoration Building, #122 Zhenhua RD., Futian, Shenzhen, China

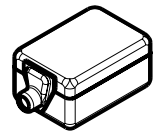


**BK-28562-000**  
SHT 1.1



NOTES:

- 1 A POSITIVE GOING VOLTAGE AT TERMINAL 2, RELATIVE TO TERMINAL 1, CAUSES A DECREASE IN PRESSURE AT THE SOUND OUTLET.
- 2 LOCATED FROM TWO SURFACES FOR CUSTOMER COVENIENCE. ONLY APPLICABLE FROM ONE SURFACE, NOT TO BE USED TOGETHER. HORIZONTAL LOCATION FOR TERMINAL CENTERED TO ±0,17 [0.007].



SCALE 2:1

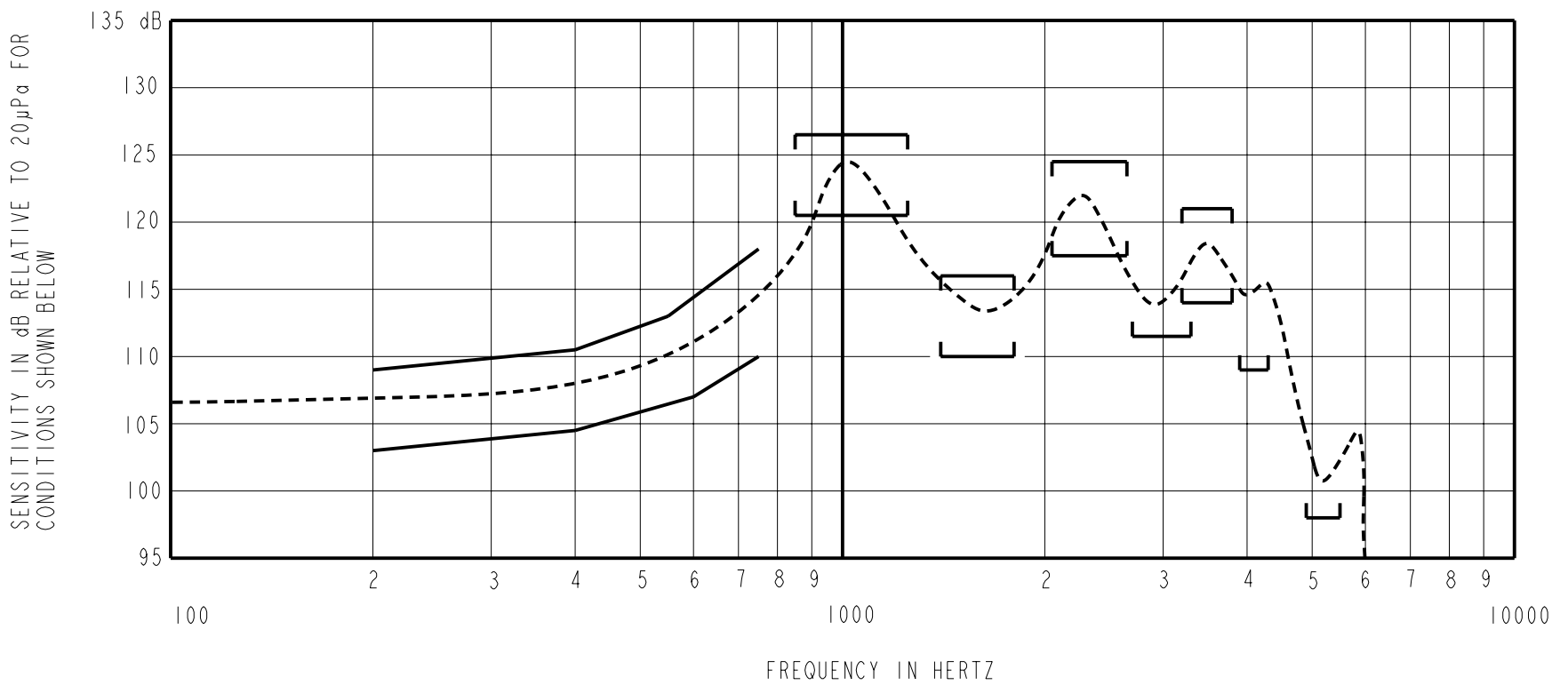
NOMINAL WEIGHT  
.66 GRAM

DIMENSIONS IN MILLIMETERS [INCHES]

**KNOWLES ELECTRONICS**  
ITASCA, ILLINOIS U.S.A.

| Revision | C.O. #    | Implementation Date | RELEASE LEVEL | REVISION |
|----------|-----------|---------------------|---------------|----------|
| A        | CI0103461 | 1-17-06             | Released      | A        |

|                      |  |         |         |
|----------------------|--|---------|---------|
| SCALE: 4:1           |  | DR. BY  | DATE    |
| DO NOT SCALE DRAWING |  | CRG     | 1-17-06 |
| TITLE: RECEIVER      |  | CK. BY  | DATE    |
| OUTLINE DRAWING      |  | GJP     | 1-19-06 |
| BK-28562-000         |  | APP. BY | DATE    |
| SHT 1.1              |  | GJP     | 1-19-06 |



NOTES:

1. MEASUREMENTS MADE USING 8mm (.315") X 1mm (.039") ID + 28mm (1.10") X 1.5mm (.059") ID EAR HOOK SIMULATOR INTO 25mm (.984") OF 2mm (.079") ID TUBE + 18mm (.709") OF 3MM (.118") ID TUBE + 2cm<sup>3</sup> CAVITY (AS IEC126). (T-2607 AND B & K DB0138).

2. SENSITIVITY

| FREQUENCY | MIN.  | MAX.  |
|-----------|-------|-------|
| 200       | 103.0 | 109.0 |
| 400       | 104.5 | 110.5 |
| 550       | ---   | 113.0 |
| 600       | 107.0 | ---   |
| 750       | 110.0 | 118.0 |
| 850-1250  | 120.5 | 126.5 |
| 1400-1800 | 110.0 | 116.0 |
| 2050-2650 | 117.5 | 124.5 |
| 2700-3300 | 111.5 | ---   |
| 3200-3800 | 114.0 | 121.0 |
| 3900-4300 | 109.0 | ---   |
| 4900-5500 | 98.0  | ---   |

- 3. RESPONSE, IMPEDANCE, AND DISTORTION MEASUREMENTS MADE USING THE ELECTRICAL TEST CONDITIONS SHOWN BELOW.
- 4. ELECTRICAL SOURCE IMPEDANCE MUST BE "EQUAL TO NOMINAL" 1KHz IMPEDANCE FOR TEST CONDITIONS SHOWN BELOW.
- 5. INDIVIDUAL SPECIFICATIONS.

| PORT LOCATION | IMPEDANCE OHMS ±15% |       | DCR @20°C OHMS ±10% | DISTORTION |         | ELECTRICAL TEST CONDITIONS    |       | SOURCE IMPEDANCE OHMS |
|---------------|---------------------|-------|---------------------|------------|---------|-------------------------------|-------|-----------------------|
|               | 1KHz                | 500Hz |                     | MAX. %     | FREQ Hz | OPEN CIRCUIT AC VOLTAGE V RMS | DC mA |                       |
| 12S           | 35                  | 23    | 18.5                | 10         | 500     | 0.35                          | 0.0   | 30                    |

|          |           |                     |               |          |
|----------|-----------|---------------------|---------------|----------|
| Revision | C.O. #    | Implementation Date | RELEASE LEVEL | REVISION |
|          |           |                     | Released      | A        |
| A        | C10103461 | 1-17-06             |               |          |

**KNOWLES ELECTRONICS**  
ITASCA, ILLINOIS U.S.A.

WHEN TEST LIMITS ARE USED TO ESTABLISH INCOMING INSPECTION ACCEPTANCE/REJECTION CRITERIA, CORRELATION OF TEST EQUIPMENT WITH KNOWLES IS ALSO REQUIRED FOR ELIMINATION OF EQUIPMENT AND TEST METHOD VARIATION

TITLE: **RECEIVER**  
PERFORMANCE SPECIFICATION

**BK-28562-000**  
SHT 2.1

|         |         |
|---------|---------|
| DR. BY  | DATE    |
| CRG     | 1-17-06 |
| CK. BY  | DATE    |
| GJP     | 1-19-06 |
| APP. BY | DATE    |
| GJP     | 1-19-06 |