



Chipsmall Limited consists of a professional team with an average of over 10 year of expertise in the distribution of electronic components. Based in Hongkong, we have already established firm and mutual-benefit business relationships with customers from,Europe,America and south Asia,supplying obsolete and hard-to-find components to meet their specific needs.

With the principle of "Quality Parts,Customers Priority,Honest Operation,and Considerate Service",our business mainly focus on the distribution of electronic components. Line cards we deal with include Microchip,ALPS,ROHM,Xilinx,Pulse,ON,Everlight and Freescale. Main products comprise IC,Modules,Potentiometer,IC Socket,Relay,Connector.Our parts cover such applications as commercial,industrial, and automotives areas.

We are looking forward to setting up business relationship with you and hope to provide you with the best service and solution. Let us make a better world for our industry!



## Contact us

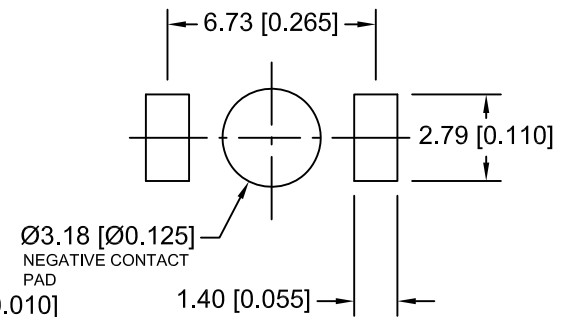
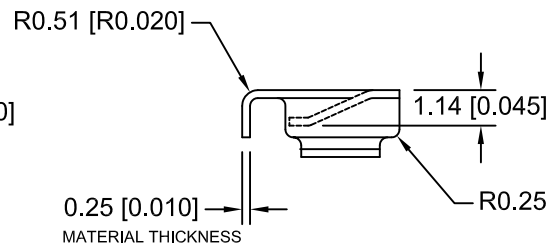
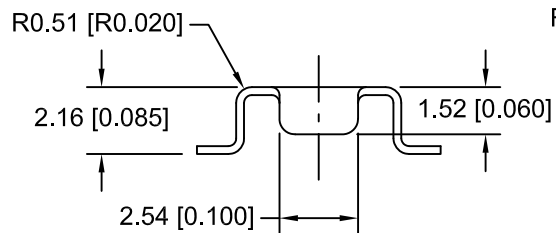
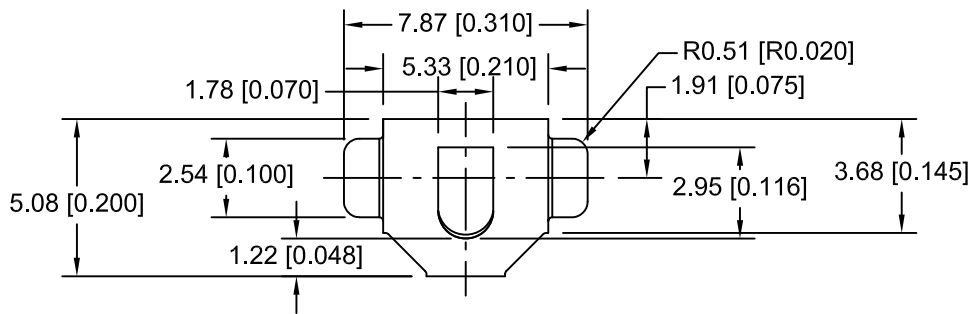
Tel: +86-755-8981 8866 Fax: +86-755-8427 6832

Email & Skype: info@chipsmall.com Web: www.chipsmall.com

Address: A1208, Overseas Decoration Building, #122 Zhenhua RD., Futian, Shenzhen, China



Date	SYM	REVISION RECORD	AUTH	DR.	CK.
5/22/09	A	ADDED TEST RESULTS	T.B.	B.S.	
09/09/11	B	ADDED PCB LAYOUT	T.B.	B.S.	
09/30/11	C	ADDED NEG. CONT. PAD	T.B.	B.S.	




PCB LAYOUT

NOTES:

- 1. MATERIAL:  
0.25mm PHOSPHOR BRONZE 1/2H, NICKLE PLATED 40U"-120U"
- TEMPERATURE RANGE: -40°C TO +270°C
- \* VIBRATION TEST: 10-50-10 HZ SWEEPED IN 60 SECONDS  
X,Y,Z DIRECTION: 1 HOUR EACH DIRECTION
- \* RESULT: NO DISLODGEEMENT OF THE CELL OR DAMAGE  
NO DISCONTINUITY OVER 10 MICRO-SECONDS
- \* SHOCK TEST: HALF SINE WAVE ACCELERATION 150G. 6 MICRO-SECONDS  
3 SHOCK PULSES EACH DIRECTION PER AXIS, TOTAL OF 18 PULSES
- \* RESULT: NO EVIDENCE OF PHYSICAL DAMAGE
- \* DROP TEST: DROPPED FROM 1M HIGH TO CONCRETE FLOOR
- \* RESULT: NO EVIDENCE OF PHYSICAL DAMAGE

ROHS COMPLIANT

Tolerance (Except as noted)		Memory Protection Devices, Inc	
		200 Broad Hollow Road, Farmingdale, New York 11735	
decimal ±.5 (.020)	Title ML414 BATTERY CONTACT	Scale	Drawn By B.S.
		Approved By T.B.	
Fractional ± .8 (.030)	Date 09/30/11	Drawing Number BK-414	