



Chipsmall Limited consists of a professional team with an average of over 10 year of expertise in the distribution of electronic components. Based in Hongkong, we have already established firm and mutual-benefit business relationships with customers from,Europe,America and south Asia,supplying obsolete and hard-to-find components to meet their specific needs.

With the principle of “Quality Parts,Customers Priority,Honest Operation,and Considerate Service”,our business mainly focus on the distribution of electronic components. Line cards we deal with include Microchip,ALPS,ROHM,Xilinx,Pulse,ON,Everlight and Freescale. Main products comprise IC,Modules,Potentiometer,IC Socket,Relay,Connector.Our parts cover such applications as commercial,industrial, and automotives areas.

We are looking forward to setting up business relationship with you and hope to provide you with the best service and solution. Let us make a better world for our industry!



## Contact us

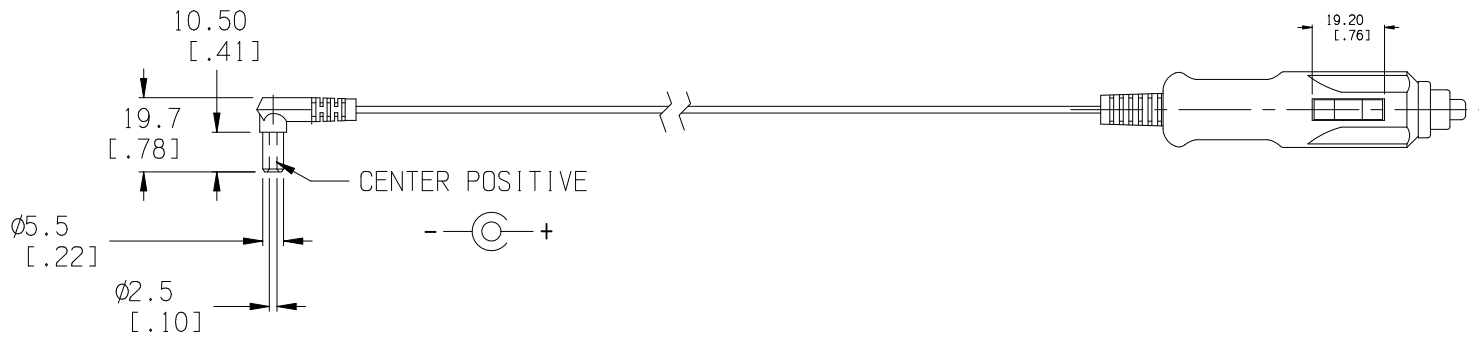
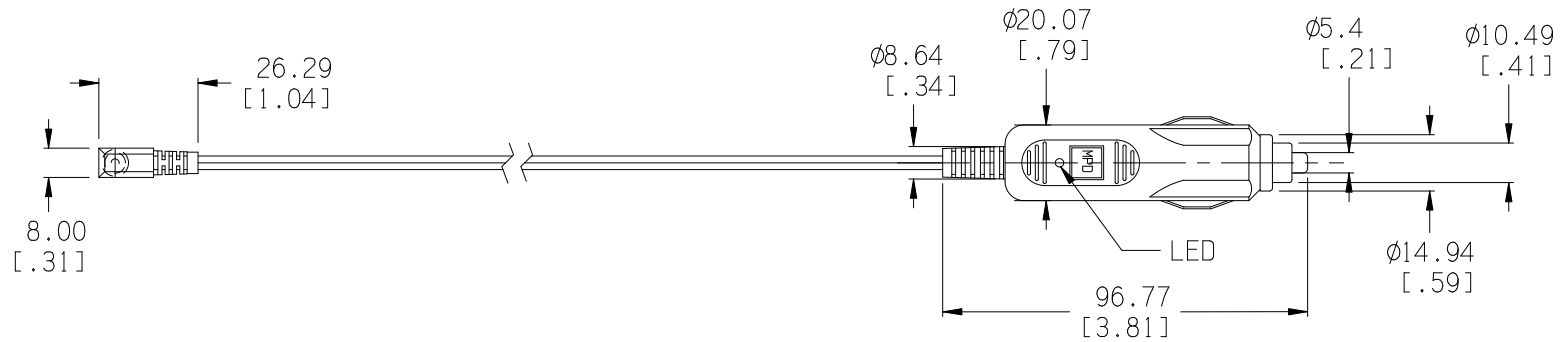
Tel: +86-755-8981 8866 Fax: +86-755-8427 6832

Email & Skype: info@chipsmall.com Web: www.chipsmall.com

Address: A1208, Overseas Decoration Building, #122 Zhenhua RD., Futian, Shenzhen, China



Date	SYM	REVISION RECORD	AUTH	DR.	CK.
7/11/08	A	CORD SIZE 18 AWG WAS 22 AWG	T.B.	B.S.	
08/28/14	B	UPDATED TO ROHS 2 COMPLIANT	T.B.	B.S.	
06/03/16	C	REMOVED CORD DIM. FROM DRAWING	T.B.	B.S.	



BILL OF MATERIAL			Tolerance (Inches)	MPD Memory Protection Devices, Inc. 200 Broad Hollow Road, Farmingdale, New York 11735	
PART #	QTY.	DESCRIPTION		Scale	Drawn By B.S.
APP-001	1	CIGARETTE PLUG FOR 21 OR 22.2mm DIA. SOCKETS	Decimal		
PLUG	1	DC MOLDED PLUG, 2.5 x 5.5mm	±.5 (.020)		Approved By T.B.
FUSE	1	3AG (6.35 x 30mm), 3 AMP.	Fractional	Title AUTO POWER CORD SET, 13' W/3 AMP FUSE, RED LED, RIGHT ANGLE 2.5mm DC PLUG	
CORD	1	UL AWM 2468, 18 AWG, 80°C, UL-VW-1	± .8 (.030)	Date 06/03/16	Drawing Number BK-6048
NOTE: ROHS 2 COMPLIANT			Angular ± 3°		