



Chipsmall Limited consists of a professional team with an average of over 10 year of expertise in the distribution of electronic components. Based in Hongkong, we have already established firm and mutual-benefit business relationships with customers from,Europe,America and south Asia,supplying obsolete and hard-to-find components to meet their specific needs.

With the principle of “Quality Parts,Customers Priority,Honest Operation,and Considerate Service”,our business mainly focus on the distribution of electronic components. Line cards we deal with include Microchip,ALPS,ROHM,Xilinx,Pulse,ON,Everlight and Freescale. Main products comprise IC,Modules,Potentiometer,IC Socket,Relay,Connector.Our parts cover such applications as commercial,industrial, and automotives areas.

We are looking forward to setting up business relationship with you and hope to provide you with the best service and solution. Let us make a better world for our industry!



## Contact us

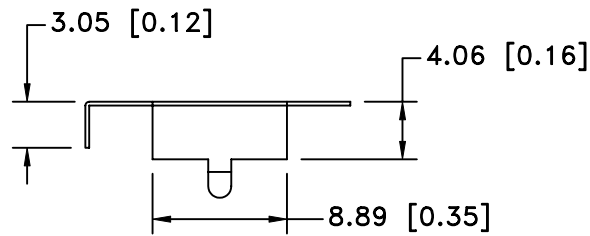
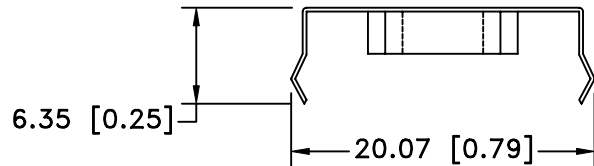
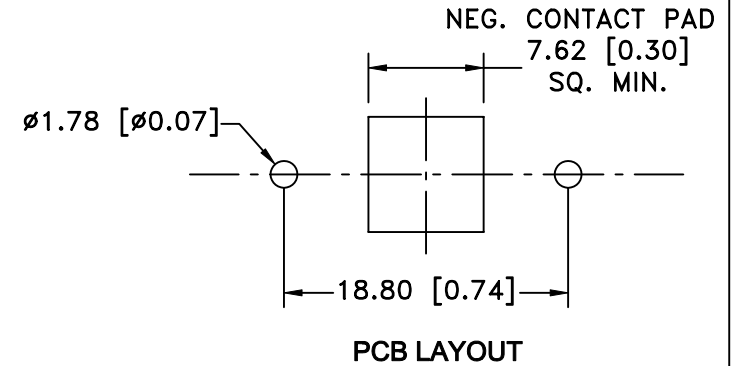
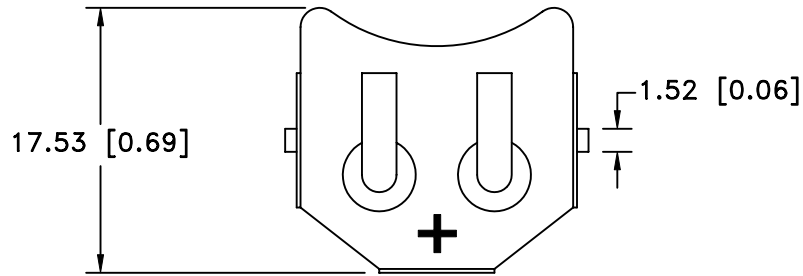
Tel: +86-755-8981 8866 Fax: +86-755-8427 6832

Email & Skype: info@chipsmall.com Web: www.chipsmall.com

Address: A1208, Overseas Decoration Building, #122 Zhenhua RD., Futian, Shenzhen, China




Date	SYM	REVISION RECORD	AUTH	DR.	CK.
11/06/03	A	ADDED BATTERY NUMBERS	T.B.	B.S.	



**NOTES:**

- MATERIAL:**  
0.25mm PHOSPHOR BRONZE, NICKLE PLTD.

Tolerance (Except as noted)		 <b>Memory Protection Devices, Inc</b> 200 Broad Hollow Road, Farmingdale, New York 11735
decimal ±.5 (.020)	Scale	
Fractional ± .8 (.030)		Drawn By B.S. Approved By T.B.
Angular ± 3°		Title <b>16mm PC PIN RETAINER</b>
CELL SIZE 16mm	RETAINS BATTERY NUMBERS CR1616, CR1620, CR1632	Date 11/06/03 Drawing Number BK-869