



Chipsmall Limited consists of a professional team with an average of over 10 year of expertise in the distribution of electronic components. Based in Hongkong, we have already established firm and mutual-benefit business relationships with customers from,Europe,America and south Asia,supplying obsolete and hard-to-find components to meet their specific needs.

With the principle of “Quality Parts,Customers Priority,Honest Operation,and Considerate Service”,our business mainly focus on the distribution of electronic components. Line cards we deal with include Microchip,ALPS,ROHM,Xilinx,Pulse,ON,Everlight and Freescale. Main products comprise IC,Modules,Potentiometer,IC Socket,Relay,Connector.Our parts cover such applications as commercial,industrial, and automotives areas.

We are looking forward to setting up business relationship with you and hope to provide you with the best service and solution. Let us make a better world for our industry!



## Contact us

Tel: +86-755-8981 8866 Fax: +86-755-8427 6832

Email & Skype: info@chipsmall.com Web: www.chipsmall.com

Address: A1208, Overseas Decoration Building, #122 Zhenhua RD., Futian, Shenzhen, China



# Panel-Mount Fuseholder

For 13/32" x 1 1/2" Fuses



**Catalog Symbol:** HPM, HPM-D

**Panel-Mount**

**Agency Information:**

UL Recognized, Guide IZLT2, File E14853

CSA Certified, Class 6225-01, File 47235

**Flammability Rating:** UL 94 HB

### Electrical Ratings

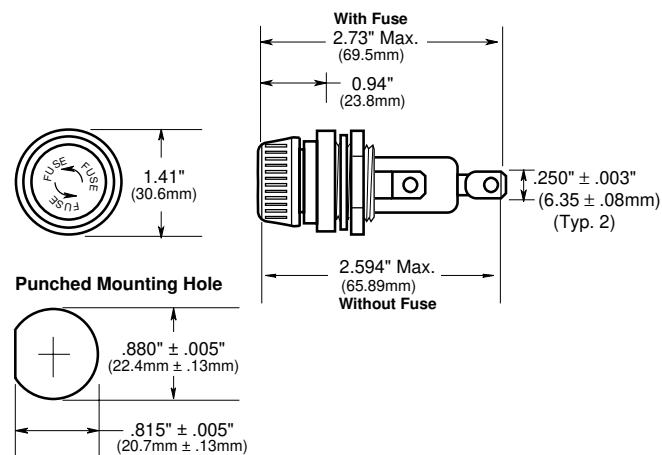
Catalog Symbol	Amps	Volts AC	Description
HPM	30 <sup>(3)</sup>	600	1/4" quick-connect/solder
HPM-D	30 <sup>(3)</sup>	600	Splash-resistant knob <sup>(4)</sup>

<sup>(3)</sup>20A max. when used with quick connect terminals.

<sup>(4)</sup>HPM-D has 1/4" quick-connect/solder terminal on rear (load) terminal only.

The side (line) terminal is 1/4" quick-connect only.

### Dimensional Data



### Maximum panel thickness, mounting flange in front of panel

Assumes Pollution Degree 3 per UL 840:

Conductive pollution, or dry, nonconductive pollution that becomes conductive due to condensation that is expected.

Maximum panel thickness *not including any sealing gaskets.*

System Voltage	600V		480		277		240		120	
	mm	Inches	mm	Inches	mm	Inches	mm	Inches	mm	Inches
Fuseholder										
HPM	1.02	1/32"	1.91	1/16"	6.18	7/32"	6.73	1/4"	8.21	5/8"

Thicker panels may be used if fuse holder load terminal is fully insulated, using a UL recognized (VW-1) insulative heat-shrink tubing, or if anticipated environment is of Pollution Degree 1 or 2, or if panel is nonconductive.

Pollution Degree 2- Normally, only nonconductive pollution. However, a temporary conductivity caused by condensation may be expected.

Pollution Degree 1- No pollution or only dry, nonconductive pollution.

The pollution has no influence.

### Maximum panel thickness, mounting flange behind the panel:

5.08mm/0.200" (flush to knob collar)

### General Information:

- Screw-type knob.
- For supplementary protection of transformers, relays, ballasts and small motors.
- Has 1/4" quick-connect/solder terminals.<sup>(4)</sup>
- Replacement knob -BK/9789-1/2 for HPM.  
-BK/9987SA for HPM-D.
- Do not put tension on line (rear) terminal.

CE logo denotes compliance with European Union Low Voltage Directive (50-1000Vac, 75-1500Vdc). Refer to Data Sheet: 8002 or contact Bussmann Application Engineering at 314-527-1270 for more information.

The only controlled copy of this Data Sheet is the electronic read-only version located on the Bussmann Network Drive. All other copies of this document are by definition uncontrolled. This bulletin is intended to clearly present comprehensive product data and provide technical information that will help the end user with design applications. Bussmann reserves the right, without notice, to change design or construction of any products and to discontinue or limit distribution of any products. Bussmann also reserves the right to change or update, without notice, any technical information contained in this bulletin. Once a product has been selected, it should be tested by the user in all possible applications.