



Chipsmall Limited consists of a professional team with an average of over 10 year of expertise in the distribution of electronic components. Based in Hongkong, we have already established firm and mutual-benefit business relationships with customers from,Europe,America and south Asia,supplying obsolete and hard-to-find components to meet their specific needs.

With the principle of “Quality Parts,Customers Priority,Honest Operation,and Considerate Service”,our business mainly focus on the distribution of electronic components. Line cards we deal with include Microchip,ALPS,ROHM,Xilinx,Pulse,ON,Everlight and Freescale. Main products comprise IC,Modules,Potentiometer,IC Socket,Relay,Connector.Our parts cover such applications as commercial,industrial, and automotives areas.

We are looking forward to setting up business relationship with you and hope to provide you with the best service and solution. Let us make a better world for our industry!



Contact us

Tel: +86-755-8981 8866 Fax: +86-755-8427 6832

Email & Skype: info@chipsmall.com Web: www.chipsmall.com

Address: A1208, Overseas Decoration Building, #122 Zhenhua RD., Futian, Shenzhen, China



Ferrule GBH, GBH-V 500V 10-30A



Electrical Characteristics				Ordering Information				Dimensions	Curves
Size	Rated Current RMS-Amps	I ² t (A ² S)		Watts Loss	Part Number	Carton Qty.	Carton Weight (kg)	Figure Number	See Page or (BIF #)
		Pre-arc	Clearing at 500V						
6 x 32mm (1/4" x 1 1/4")	10	19	51	—	GBH-010A6F	5	0.03	Fig. 1	Page 2
	12.5	20	60	3.53	GBH-12.5A6F				
	15	44	146	3.08	GBH-015A6F				
	16	48	177	4.48	GBH-016A6F				
	20	75	259	4.26	GBH-020A6F				
	25	126	345	—	GBH-025A6F				
	30	145	430	—	GBH-030A6F				
	10	19	51	—	† GBH-V-010A6F	4	0.03	Fig. 2	Page 2
	12.5	20	—	3.53	† GBH-V-12.5A6F				
	15	44	146	3.08	† GBH-V-015A6F				
	16	48	177	4.48	GBH-V-016A6F				
	20	75	259	4.26	GBH-V-020A6F				
	25	126	345	—	† GBH-V-025A6F				
	30	145	430	—	† GBH-V-030A6F				

† Consult Bussmann For UL Recognitions

1 kg = 2.2 lbs. 1 lb = 0.45 kg

- 10-30A 200% minimum opening current at rated voltage.
- Interrupting rating: 10-30A 5kA at ≥ 20% pf
- Consult Bussmann for DC ratings.
- Cold Ohm Resistance @ 25°C

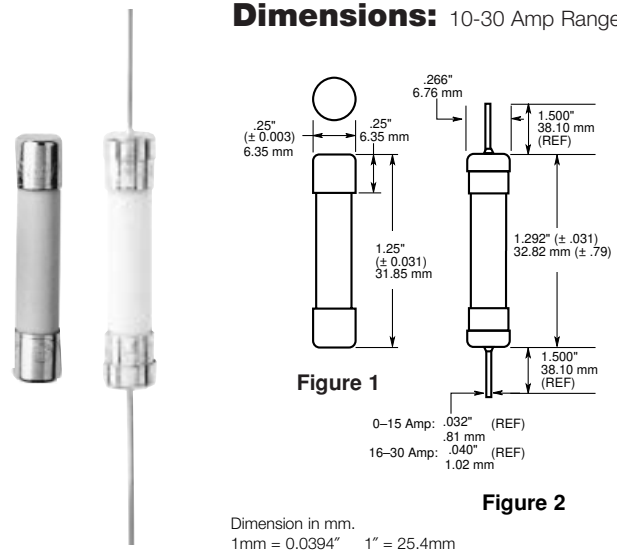
GBH & GBH-V - 010A6F	0.01450 - 0.01670	OHMS
12.5A6F	0.01110 - 0.01360	OHMS
15A6F	0.00861 - 0.00927	OHMS
16A6F	0.00761 - 0.00913	OHMS
20A6F	0.00605 - 0.00690	OHMS
25A6F	0.00482 - 0.00575	OHMS
30A6F	0.00417 - 0.00461	OHMS

- TUBE: CORDIERITE
- PACKAGE DIMENSIONS FOR GBH:
1.37" x 1.57" x 0.32" (34.9mm x 39.8mm x 8.2mm)
- CAPS: CARTRIDGE BRASS
BRIGHT NICKEL PLATE
- FILE: E56412
- GUIDE: JFHR2
- SUGGESTED HOLDERS FOR GBH:
SERIES 8000, No. 2499, No. 4405,
No. 4406, No. 4574
- (TRADEMARK)



- GBH-V: 1. CAP AND LEAD ASSEMBLY MUST WITHSTAND A PULL FORCE OF 5 lbs. MINIMUM.
- 2. AVAILABLE IN BULK QUANTITIES OF 3000-IN.
EXAMPLE CATALOG SYMBOL: BK3/GBH-V 020A6F

Dimensions: 10-30 Amp Range



Blow Times

Current Ratings	150%	200%	300%
10-30A	< 30 min.	< 30 min.	≤ 10 sec.

CE logo denotes compliance with European Union Low Voltage Directive (50-1000 Vac, 75-1500 Vdc). Refer to BIF document #8002 or contact Bussmann Application Engineering at 636-527-1270 for more information.

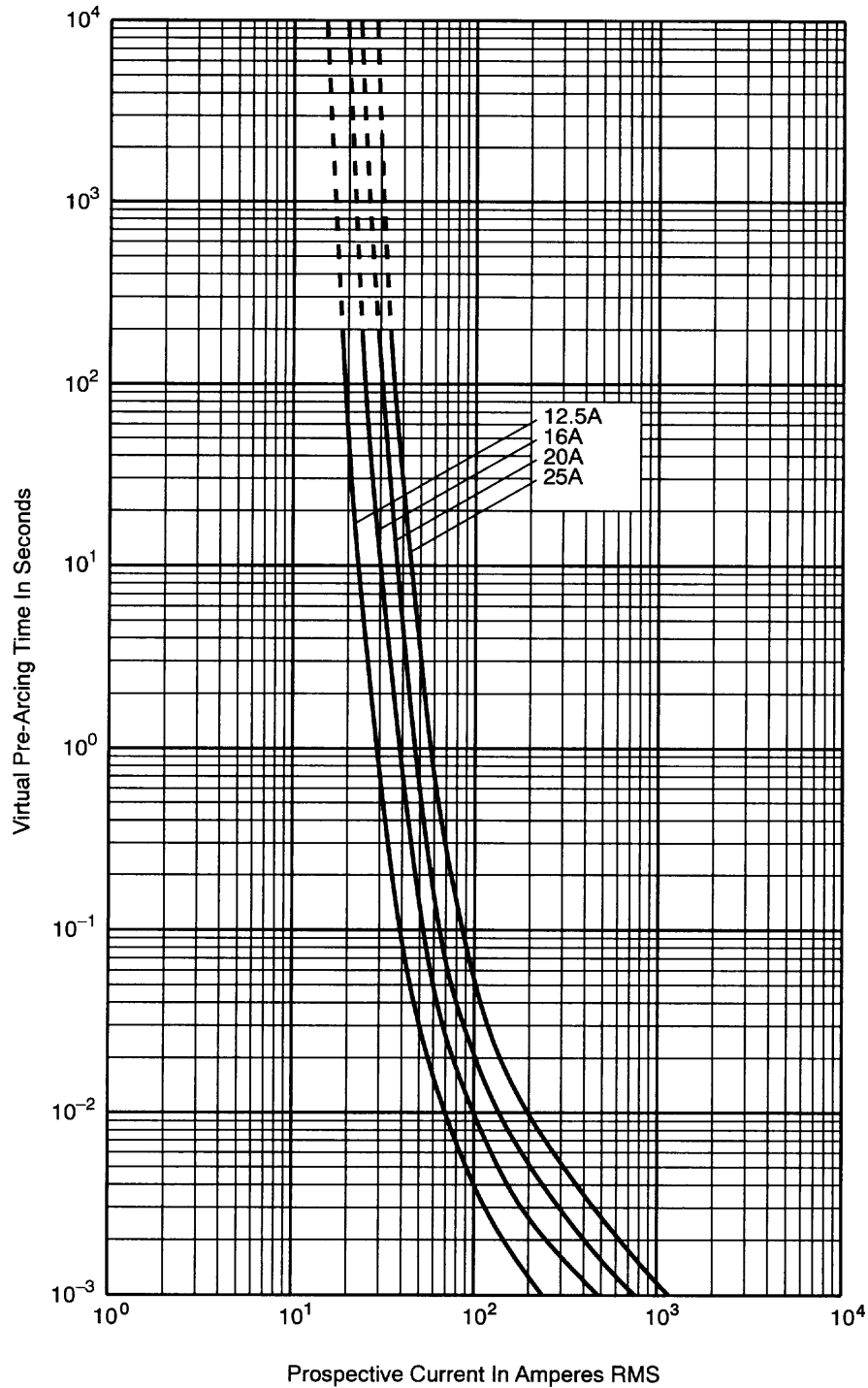
The only controlled copy of this BIF document is the electronic read-only version located on the Bussmann Network Drive. All other copies of this document are by definition uncontrolled. This bulletin is intended to clearly present comprehensive product data and provide technical information that will help the end user with design applications. Bussmann reserves the right, without notice, to change design or construction of any products and to discontinue or limit distribution of any products. Bussmann also reserves the right to change or update, without notice, any technical information contained in this bulletin. Once a product has been selected, it should be tested by the user in all possible applications.

Ferrule

GBH, GBH-V 500V 10-30A



Pre-Arcing Time-Current Characteristic Curve



The only controlled copy of this BIF document is the electronic read-only version located on the Bussmann Network Drive. All other copies of this document are by definition uncontrolled. This bulletin is intended to clearly present comprehensive product data and provide technical information that will help the end user with design applications. Bussmann reserves the right, without notice, to change design or construction of any products and to discontinue or limit distribution of any products. Bussmann also reserves the right to change or update, without notice, any technical information contained in this bulletin. Once a product has been selected, it should be tested by the user in all possible applications.