



Chipsmall Limited consists of a professional team with an average of over 10 year of expertise in the distribution of electronic components. Based in Hongkong, we have already established firm and mutual-benefit business relationships with customers from,Europe,America and south Asia,supplying obsolete and hard-to-find components to meet their specific needs.

With the principle of "Quality Parts,Customers Priority,Honest Operation,and Considerate Service",our business mainly focus on the distribution of electronic components. Line cards we deal with include Microchip,ALPS,ROHM,Xilinx,Pulse,ON,Everlight and Freescale. Main products comprise IC,Modules,Potentiometer,IC Socket,Relay,Connector.Our parts cover such applications as commercial,industrial, and automotives areas.

We are looking forward to setting up business relationship with you and hope to provide you with the best service and solution. Let us make a better world for our industry!



Contact us

Tel: +86-755-8981 8866 Fax: +86-755-8427 6832

Email & Skype: info@chipsmall.com Web: www.chipsmall.com

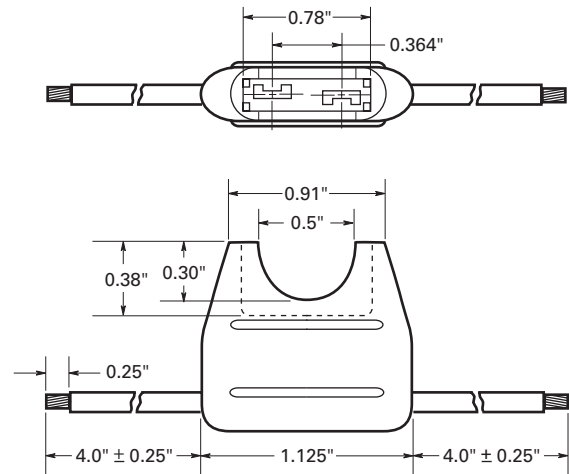
Address: A1208, Overseas Decoration Building, #122 Zhenhua RD., Futian, Shenzhen, China



Automotive in-line fuse holders for ATC® blade fuses



Dimensions - in:



Specifications:

Ratings

- Volts - 32 V maximum
- Amps
 - HHC 3-20 A
 - HHD 3-30 A
 - HHF 3-20 A
 - HHG 3-30 A

Agency information

- Wire meets UL® 3266
- Meets SAE J2030 heavy duty electrical connector performance standard

Features:

- Insulation body: Santoprene TPV
- Wire
 - HHC - 26 strand tin-plated
 - HHD - 65 strand copper, no plating
 - HHF - 26 strand tin-plated
 - HHG - 65 strand tin-plated
- Contact material: Brass, tin-plated

Catalog symbols:

- HHC
- HHD
- HHF
- HHG

Description:

In-line fuse holders for ATC blade fuses.

Electrical ratings				
Catalog symbol	Description	Fuse size	Electrical connection	Maximum continuous current rating
HHC	Yellow fuse holder	3-20 A	5" long, #16 black leadwire	16 A*
HHD	Black fuse holder	3-30 A	4" long, #12 yellow leadwire	24 A*
HHF	Holder with protective cover	3-20 A	4" long, #16 yellow leadwire	16 A*
HHG	Heavy-duty holder with cover	3-30 A	4" long, #12 yellow leadwire	24 A*
HHR	Heavy-duty water-resistant holder	3-30 A	5" long, #2 red leadwire	24 A*
ATC-FHID	<i>EasyID</i> illuminating holder with cover	3-20 A	6" long, #16 black leadwire	16 A*

* Or 80% of fuse rating, whichever is less.

Packaging options

Catalog No.	Description	Quantity per pack	Quantity per shelf carton	Quantity per master carton
HHC	Traditional pack	1	10	200
BK/HHC	Bulk pack	—	—	100
BP/HHC-RP	Retail pack	1	5	120
HHD	Traditional pack	1	10	200
BK/HHD	Bulk pack	—	—	100
BP/HHD-RP	Retail pack	1	5	120
BP/HHD-30-RP*	Retail pack	1	5	120
HHF	Traditional pack	1	10	200
BP/HHF-RP	Retail pack	1	5	120
HHG	Traditional pack	1	10	200
BK/HHG	Bulk pack	—	—	100
BP/HHG-RP	Retail pack	1	5	120

* With 30A ATC fuse.

The only controlled copy of this data sheet is the electronic read-only version located on the Eaton network drive. All other copies of this document are by definition uncontrolled. This bulletin is intended to clearly present comprehensive product data and provide technical information that will help the end user with design applications. Eaton reserves the right, without notice, to change design or construction of any products and to discontinue or limit distribution of any products. Eaton also reserves the right to change or update, without notice, any technical information contained in this bulletin. Once a product has been selected, it should be tested by the user in all possible applications.

Eaton
1000 Eaton Boulevard
Cleveland, OH 44122
United States
Eaton.com

Bussmann Division
114 Old State Road
Ellisville, MO 63021
United States
Eaton.com/bussmannseries

© 2016 Eaton
All Rights Reserved
Printed in USA
Publication No. 2107 – SB03020
June 2016

Eaton, Bussmann, ATC and *easyID* are valuable trademarks of Eaton in the US and other countries. You are not permitted to use the Eaton trademarks without prior written consent of Eaton.

CSA is a registered trademark of the Canadian Standards Group.
UL is a registered trademark of the Underwriters Laboratories, Inc.

For Eaton's Bussmann series product information, call 1-855-287-7626 or visit: Eaton.com/bussmannseries

Follow us on social media to get the latest product and support information.

