



Chipsmall Limited consists of a professional team with an average of over 10 year of expertise in the distribution of electronic components. Based in Hongkong, we have already established firm and mutual-benefit business relationships with customers from,Europe,America and south Asia,supplying obsolete and hard-to-find components to meet their specific needs.

With the principle of "Quality Parts,Customers Priority,Honest Operation,and Considerate Service",our business mainly focus on the distribution of electronic components. Line cards we deal with include Microchip,ALPS,ROHM,Xilinx,Pulse,ON,Everlight and Freescale. Main products comprise IC,Modules,Potentiometer,IC Socket,Relay,Connector.Our parts cover such applications as commercial,industrial, and automotives areas.

We are looking forward to setting up business relationship with you and hope to provide you with the best service and solution. Let us make a better world for our industry!



Contact us

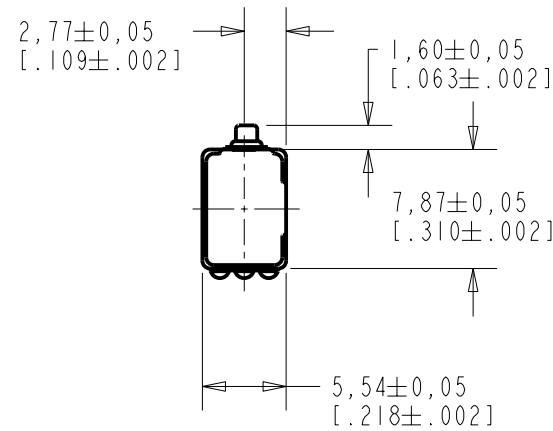
Tel: +86-755-8981 8866 Fax: +86-755-8427 6832

Email & Skype: info@chipsmall.com Web: www.chipsmall.com

Address: A1208, Overseas Decoration Building, #122 Zhenhua RD., Futian, Shenzhen, China

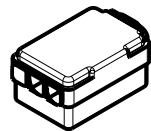
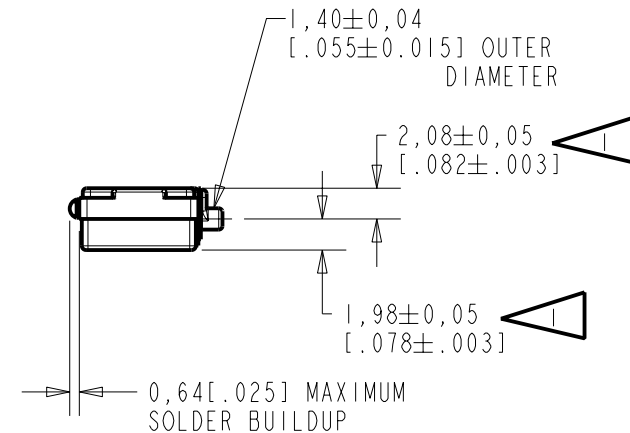
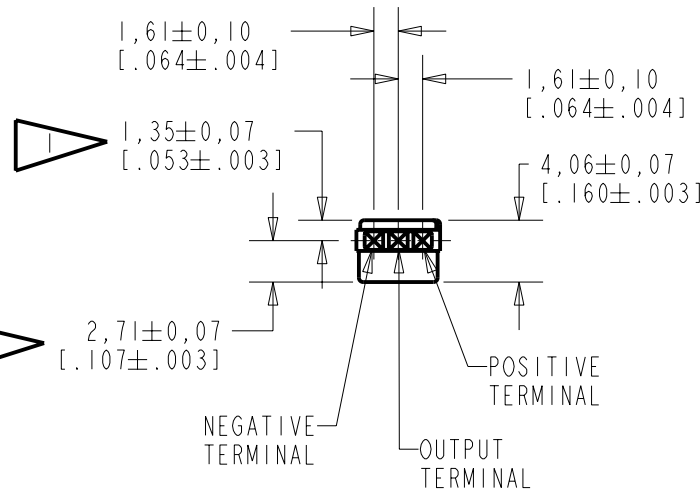


BL-21671-000
SHT 1.1



NOTES:

▶ LOCATED FROM TWO SURFACES FOR CUSTOMER CONVENIENCE. ONLY APPLICABLE FROM ONE SURFACE, NOT TO BE USED TOGETHER. HORIZONTAL LOCATION FOR TERMINAL CENTERED TO $\pm 0,17$ [.007].



NOMINAL WEIGHT
28.0 GRAMS

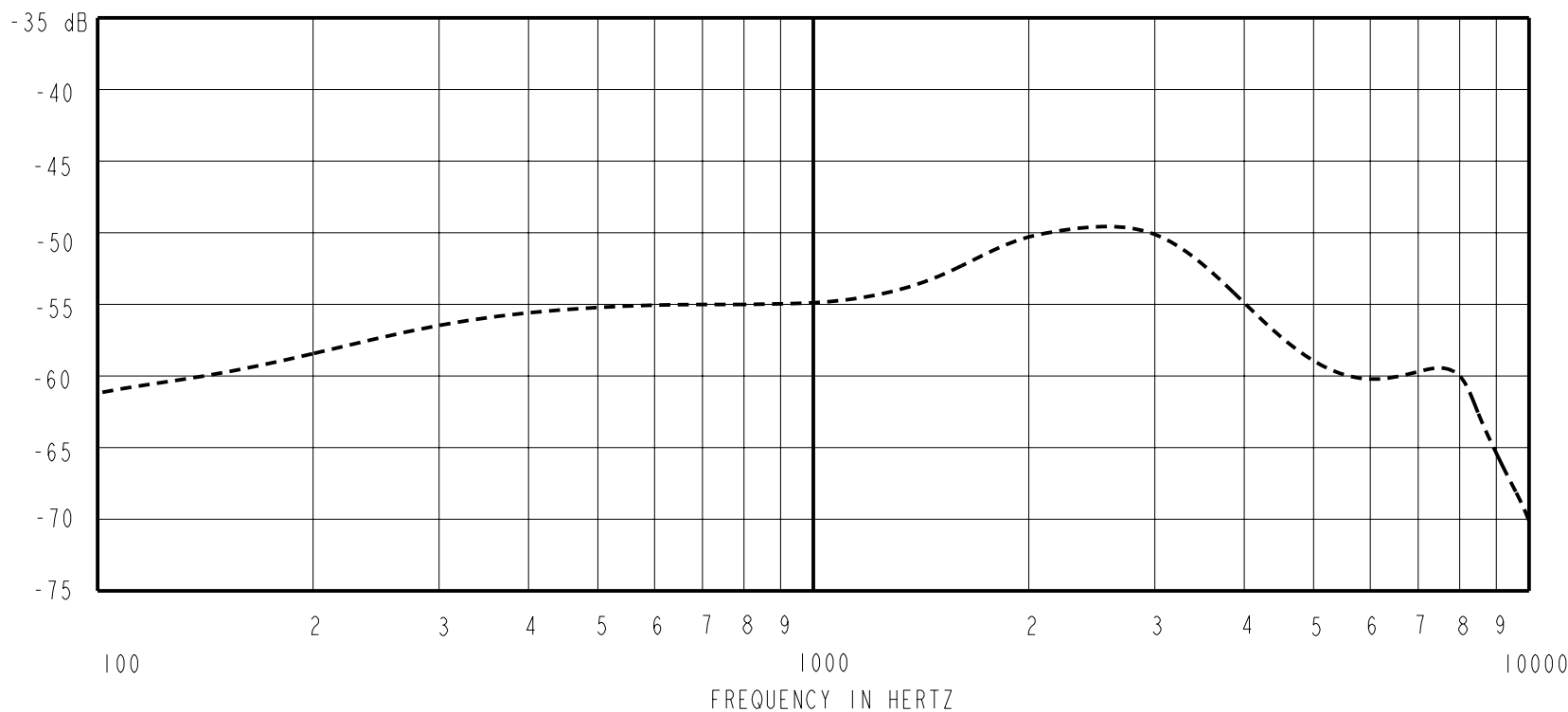
DIMENSIONS IN MILLIMETERS [INCHES]

Revision	C.O. #	Implementation Date	RELEASE LEVEL	REVISION
B	M101001175	9-20-06	Released	B
A	M10100962	9-8-06		

SCALE: 2:1		DR. BY: AB	DATE: 9-8-06
DO NOT SCALE DRAWING			
TITLE: MICROPHONE		BL-21671-000	
OUTLINE DRAWING		SHT 1.1	
		CK. BY: GJP	DATE: 9-18-06
		APP. BY: GJP	DATE: 9-18-06

KNOWLES ELECTRONICS
ITASCA, ILLINOIS U.S.A.

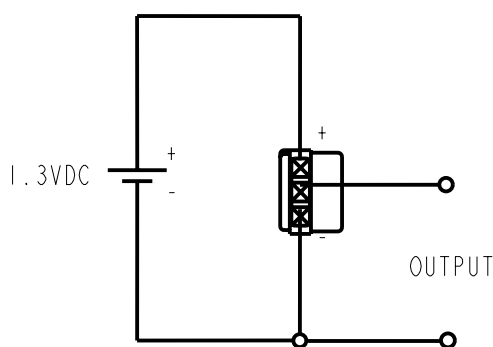
SENSITIVITY IN dB RELATIVE TO 1.0 VOLT/0.1 Pa (N/M²)
FOR CONDITIONS SHOWN BELOW.



FREQUENCY	SENSITIVITY			DEVICE CONFORMITY	
	MIN.	NOM.	MAX.	RANGE OF DEVIATION FROM 1KHz	
100	---	-61.5	---	-10.5	-4.5
1000	-57.5	-54.5	-51.5	0.0	0.0
≈ 2500	---	-49.5	---	+2.5	+7.5

NOTES: 1. CASE CONNECTED TO NEGATIVE TERMINAL.

PORT LOCATION	DC SUPPLY	AMPLIFIER CURRENT DRAIN	SENSITIVITY CHANGE ON REDUCING SUPPLY TO 1.1 VDC	"A" WEIGHTED NOISE (1 kHz EQUIV. SPL)	OUTPUT IMPEDANCE OHMS			CAPACITANCE ±50%	
					MIN.	NOM.	MAX.	1-2	1-3
12S	1.3V	50 μA MAX.	3 dB MAX.	32.0 dB MAX.	8000	13000	22000	N/A	N/A



Revision	C.O. #	Implementation Date	RELEASE LEVEL	REVISION
B	M101001175	9-20-06	Released	B
A	M10100962	9-8-06		

KNOWLES ELECTRONICS
ITASCA, ILLINOIS U.S.A.

WHEN TEST LIMITS ARE USED TO ESTABLISH INCOMING INSPECTION ACCEPTANCE/REJECTION CRITERIA, CORRELATION OF TEST EQUIPMENT WITH KNOWLES IS ALSO REQUIRED FOR ELIMINATION OF EQUIPMENT AND TEST METHOD VARIATION

TITLE: **MICROPHONE**
PERFORMANCE SPECIFICATION

BL-21671-000
SHT 2.1

DR. BY	DATE
AB	9-8-06
CK. BY	DATE
GJP	9-18-06
APP. BY	DATE
GJP	9-18-06