



Chipsmall Limited consists of a professional team with an average of over 10 year of expertise in the distribution of electronic components. Based in Hongkong, we have already established firm and mutual-benefit business relationships with customers from,Europe,America and south Asia,supplying obsolete and hard-to-find components to meet their specific needs.

With the principle of “Quality Parts,Customers Priority,Honest Operation,and Considerate Service”,our business mainly focus on the distribution of electronic components. Line cards we deal with include Microchip,ALPS,ROHM,Xilinx,Pulse,ON,Everlight and Freescale. Main products comprise IC,Modules,Potentiometer,IC Socket,Relay,Connector.Our parts cover such applications as commercial,industrial, and automotives areas.

We are looking forward to setting up business relationship with you and hope to provide you with the best service and solution. Let us make a better world for our industry!



Contact us

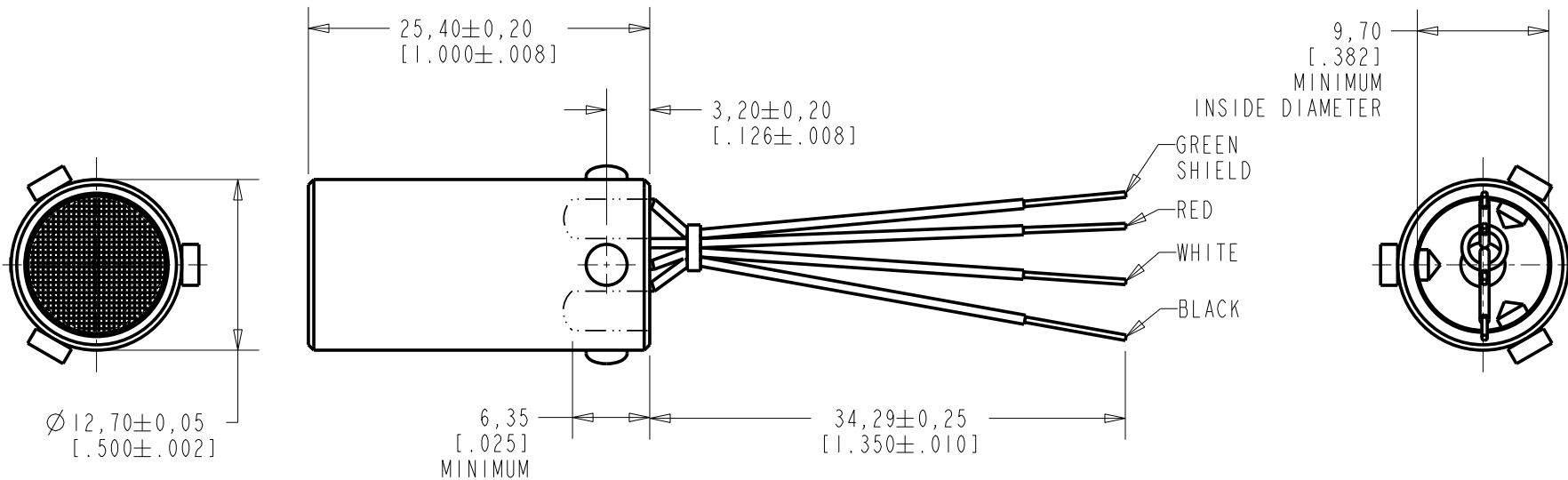
Tel: +86-755-8981 8866 Fax: +86-755-8427 6832

Email & Skype: info@chipsmall.com Web: www.chipsmall.com

Address: A1208, Overseas Decoration Building, #122 Zhenhua RD., Futian, Shenzhen, China



BL-23497-000
SHT 1.1



NOMINAL WEIGHT
27.0 GRAMS

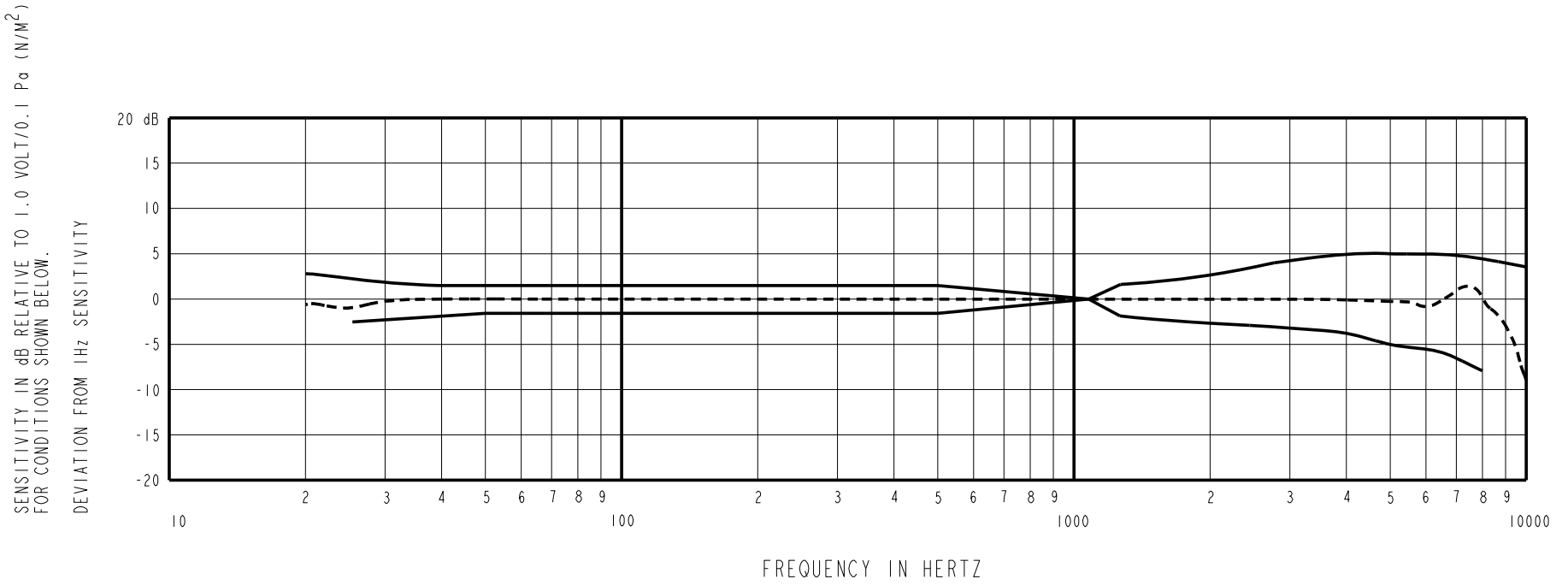
DIMENSIONS IN MILLIMETERS [INCHES]

Revision	C.O. #	Implementation Date	RELEASE LEVEL	REVISION
B	MI0103141	11-09-09	Active	B
A	MI0101208	10-30-06		

SCALE: 2:1	DR. BY: DATE
DO NOT SCALE DRAWING	MMM 10-30-06
TITLE: MICROPHONE	GJP 11-6-06
OUTLINE DRAWING	APP. BY: DATE
	GJP 11-6-06

BL-23497-000
SHT 1.1

KNOWLES ELECTRONICS
ITASCA, ILLINOIS U.S.A.



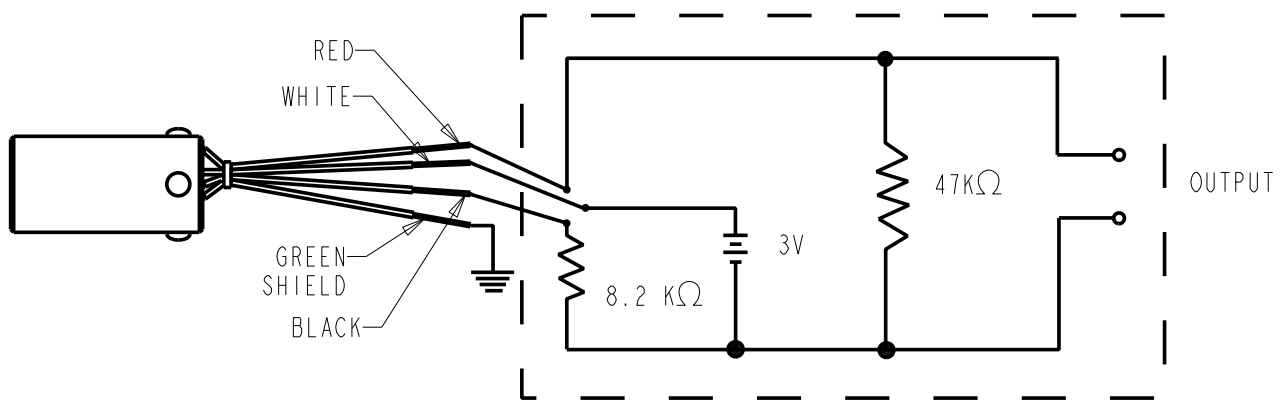
FREQUENCY	SENSITIVITY			DEVICE CONFORMITY	
	MIN.	NOM.	MAX.	RANGE OF DEVIATION FROM 1 kHz	
20	---	---	---	---	+3.0
25	---	---	---	-4.0	+2.0
31.5	---	---	---	-3.0	+1.5
40	---	---	---	-2.0	+1.0
50	---	---	---	-1.0	+1.0
800	---	---	---	-1.0	+1.0
1000	-72.0	-69.0	-66.0	0.0	0.0
1250	---	---	---	-1.5	+1.5
1600	---	---	---	-2.0	+2.0
2000	---	---	---	-2.5	+2.5
2500	---	---	---	-3.0	+3.5
3150	---	---	---	-3.5	+4.5
4000	---	---	---	-4.0	+5.0
5000	---	---	---	-5.0	+5.0
6300	---	---	---	-6.0	+5.0
8000	---	---	---	-7.5	+4.5
10000	---	---	---	---	+3.5

NOTES:

- CASE CONNECTED TO NEGATIVE TERMINAL.

DC SUPPLY	BATTERY CURRENT DRAIN	"A" WEIGHTED NOISE (1 kHz EQUIV. SPL) IN 3 WIRE MODEL	OUTPUT IMPEDANCE OHMS			OUTER HOUSING TO SHIELD	
			MIN.	NOM.	MAX.	MIN.	MAX.
3.0 V	160 μ A MAX.	34 dB MAX.	---	4000	---	---	3.0 Ω

TEST CONDITIONS



Revision	C.O. #	Implementation Date	RELEASE LEVEL	REVISION
B	M10103141	11-09-09	Active	B
A	M10101208	10-30-06		

KNOWLES ELECTRONICS
ITASCA, ILLINOIS U.S.A.

WHEN TEST LIMITS ARE USED TO ESTABLISH INCOMING INSPECTION ACCEPTANCE/REJECTION CRITERIA, CORRELATION OF TEST EQUIPMENT WITH KNOWLES IS ALSO REQUIRED FOR ELIMINATION OF EQUIPMENT AND TEST METHOD VARIATION

TITLE: **MICROPHONE**
PERFORMANCE SPECIFICATION

BL-23497-000
SHT 2.1

DR. BY	DATE
MMM	10-30-06
CK. BY	DATE
GJP	11-6-06
APP. BY	DATE
GJP	11-6-06