



Chipsmall Limited consists of a professional team with an average of over 10 year of expertise in the distribution of electronic components. Based in Hongkong, we have already established firm and mutual-benefit business relationships with customers from,Europe,America and south Asia,supplying obsolete and hard-to-find components to meet their specific needs.

With the principle of “Quality Parts,Customers Priority,Honest Operation,and Considerate Service”,our business mainly focus on the distribution of electronic components. Line cards we deal with include Microchip,ALPS,ROHM,Xilinx,Pulse,ON,Everlight and Freescale. Main products comprise IC,Modules,Potentiometer,IC Socket,Relay,Connector.Our parts cover such applications as commercial,industrial, and automotives areas.

We are looking forward to setting up business relationship with you and hope to provide you with the best service and solution. Let us make a better world for our industry!



## Contact us

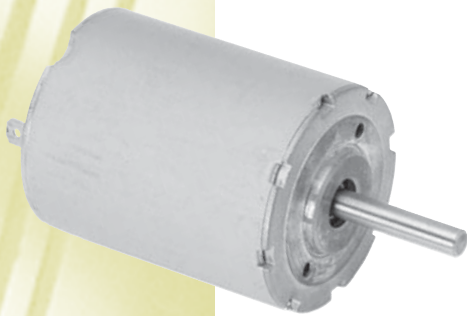
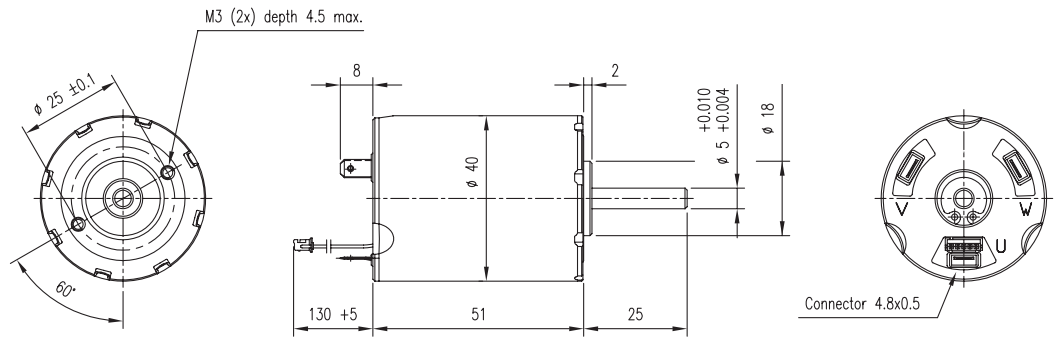
Tel: +86-755-8981 8866 Fax: +86-755-8427 6832

Email & Skype: info@chipsmall.com Web: www.chipsmall.com

Address: A1208, Overseas Decoration Building, #122 Zhenhua RD., Futian, Shenzhen, China



# BLDC40P30A BLDC40S30A



## General Specification

Insulation class F  
 Protection IP20  
 Operating temperature – 20 ° C ... + 70°C  
 2 NMB ballbearings for long lifetime  
 Max. radial load 80 N (5mm from flange)  
 Max. axial load 50 N

## Features

Low cogging torque  
 High power to volume ratio  
 High efficiency at operating point  
 High reliability

## Options

Driver

NMB-Partnumber		BLDC40P30A-24V 25.1.050	BLDC40S30A-24V 25.1.050D
Rated Voltage	[V]	24	24
Rated Speed	[rpm]	3000	3000
Continuous Power	[W]	44	63
Rated Torque *1)	[mNm]	140	200
Continuous Stall Torque	[mNm]	155	297
Efficiency at Rated Speed	[%]	83.1	89.4
Current at Rated Speed	[A]	2.3	3.0
No Load Speed	[rpm]	3700	3400
Resistance per Phase *2)	[Ω]	1.46	0.50
Inductance per Phase	[mH]	1.50	0.50
Torque Constant	[mNm/A]	60	66
Speed Constant	[rpm/V]	158.4	143.6
Mech. Time Constant	[ms]	1.60	0.57
Rotor Inertia	[gcm <sup>2</sup> ]	40	50
Number of Poles		14	16
Weight	[g]	280	280
Thermal Resistance *3) *4)	[K/W]	6	6

\*1) motor torque at 70K temperature rising of winding

\*2) resistance phase to phase at 20°C

\*3) thermal resistance winding to ambient

\*4) motor is mounted on a sheet metal 210 mm x 40 mm x 0.8 mm