



Chipsmall Limited consists of a professional team with an average of over 10 year of expertise in the distribution of electronic components. Based in Hongkong, we have already established firm and mutual-benefit business relationships with customers from,Europe,America and south Asia,supplying obsolete and hard-to-find components to meet their specific needs.

With the principle of "Quality Parts,Customers Priority,Honest Operation,and Considerate Service",our business mainly focus on the distribution of electronic components. Line cards we deal with include Microchip,ALPS,ROHM,Xilinx,Pulse,ON,Everlight and Freescale. Main products comprise IC,Modules,Potentiometer,IC Socket,Relay,Connector.Our parts cover such applications as commercial,industrial, and automotives areas.

We are looking forward to setting up business relationship with you and hope to provide you with the best service and solution. Let us make a better world for our industry!



## Contact us

Tel: +86-755-8981 8866 Fax: +86-755-8427 6832

Email & Skype: info@chipsmall.com Web: www.chipsmall.com

Address: A1208, Overseas Decoration Building, #122 Zhenhua RD., Futian, Shenzhen, China



**Bead Inductor BLE32PN□□□SN1□ Reference Specification**

**1. Scope**

This reference specification applies to Bead Inductor BLE32PN\_SN Series.

**2. Part Numbering**

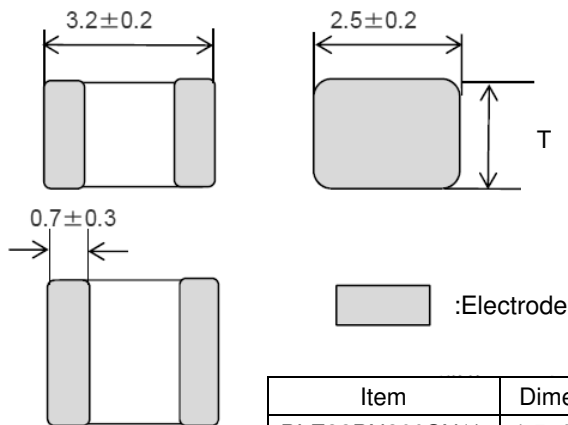
|       |                                |     |     |     |     |                                  |     |     |     |
|-------|--------------------------------|-----|-----|-----|-----|----------------------------------|-----|-----|-----|
| (ex.) | BL                             | E   | 32  | PN  | 300 | S                                | N   | 1   | L   |
|       | (1)                            | (2) | (3) | (4) | (5) | (6)                              | (7) | (8) | (9) |
|       | (1)Product ID                  |     |     |     |     | (6)Performance                   |     |     |     |
|       | (2)Type                        |     |     |     |     | (7)Category                      |     |     |     |
|       | (3)Dimension (L×W)             |     |     |     |     | (8)Numbers of Circuit            |     |     |     |
|       | (4)Characteristics             |     |     |     |     | (9)Packaging (L:Taping / B:Bulk) |     |     |     |
|       | (5)Typical Impedance at 100MHz |     |     |     |     |                                  |     |     |     |

**3. Rating**

| Customer Part Number | MURATA Part Number | Impedance (Ω)<br>(at 100MHz, Under Standard Testing Condition) |    | Rated Current (A) | DC Resistance (mΩ) max. |                      | Remark            |
|----------------------|--------------------|--|----|-------------------|-------------------------|----------------------|-------------------|
|                      |                    | Typical  |    |                   | Initial Values          | Values After Testing |                   |
|                      | BLE32PN260SN1L     | 26±10  | 26 | 10                | 1.6                     | 2.1                  | For DC power line |
|                      | BLE32PN260SN1B     |  |    |                   |                         |                      |                   |
|                      | BLE32PN300SN1L     | 30±10  | 30 | 10                | 1.6                     | 2.1                  |                   |
|                      | BLE32PN300SN1B     |  |    |                   |                         |                      |                   |

- Operating Temperature: -55°C to +125°C
- Storage Temperature: -55°C to +125°C

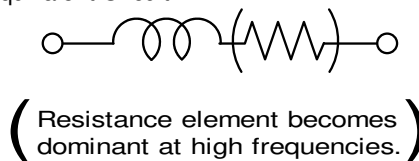
**4. Style and Dimensions**



| Item           | Dimension "T" |
|----------------|---------------|
| BLE32PN260SN1* | 1.5+0.1/-0.2  |
| BLE32PN300SN1* | 2.0±0.2       |

(in mm)

■ Equivalent Circuit



■ Unit Mass (Typical value)

- BLE32PN260SN1\* : 0.060 g
- BLE32PN300SN1\* : 0.080 g

**5. Marking**

No marking.

**6. Standard Testing Conditions**

< Unless otherwise specified >

Temperature : Ordinary Temp. (15 °C to 35 °C)  
Humidity : Ordinary Humidity (25%(RH) to 85%(RH))

< In case of doubt >

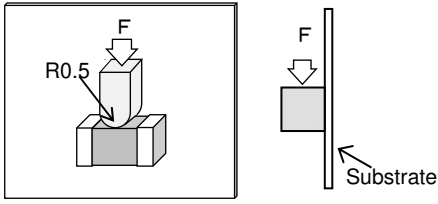
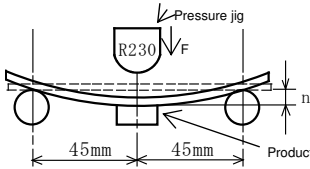
Temperature : 20°C±2 °C  
Humidity : 60%(RH) to 70%(RH)  
Atmospheric pressure : 86kPa to 106kPa

**7. Specifications**

**7-1. Electrical Performance**

| No.   | Item          | Specification | Test Method   |
|-------|---------------|---------------|---|
| 7-1-1 | Impedance     | Meet item 3.  | Measuring Frequency : 100MHz±1MHz<br>Measuring Equipment : KEYSIGHT 4291A or the equivalent<br>Test Fixture : KEYSIGHT 16192A or the equivalent |
| 7-1-2 | DC Resistance | Meet item 3.  | Measuring Equipment : Digital multi meter<br>* Except resistance of the Substrate and Wire  |

**7-2. Mechanical Performance**

| No.                          | Item                         | Specification   | Test Method  |           |                              |             |               |              |  |
|------------------------------|------------------------------|---|--|-----------|------------------------------|-------------|---------------|--------------|--|
| 7-2-1                        | Appearance and Dimensions    | Meet item 4.  | Visual Inspection and measured with Slide Calipers.  |           |                              |             |               |              |  |
| 7-2-2                        | Bonding Strength             | Meet Table 1.<br><br><table border="1" style="width: 100%; border-collapse: collapse; margin-top: 10px;"> <caption>Table 1</caption> <tr> <td style="width: 50%;">Appearance</td> <td>No damage</td> </tr> <tr> <td>Impedance Change (at 100MHz)</td> <td>Within ±30%</td> </tr> <tr> <td>DC Resistance</td> <td>Meet item 3.</td> </tr> </table> | Appearance   | No damage | Impedance Change (at 100MHz) | Within ±30% | DC Resistance | Meet item 3. | It shall be soldered on the substrate.<br>Applying Force(F) : 9.8N<br>Applying Time : 5s±1s<br>Applied direction:Parallel to substrate<br><br> |
| Appearance                   | No damage                    |   |  |           |                              |             |               |              |  |
| Impedance Change (at 100MHz) | Within ±30%                  |   |  |           |                              |             |               |              |  |
| DC Resistance                | Meet item 3.                 |   |  |           |                              |             |               |              |  |
| 7-2-3                        | Bending Strength             |   | It shall be soldered on the substrate.<br>Substrate: Glass-epoxy 100mm×40mm×1.0mm<br>Deflection: 2.0mm<br>Speed of Applying Force : 0.5mm/s<br>Keeping Time : 30s<br><br>                                       |           |                              |             |               |              |  |
| 7-2-4                        | Vibration                    |   | It shall be soldered on the substrate.<br>Oscillation Frequency : 10Hz to 2000Hz to 10Hz for 20 min<br>Total Amplitude : 3.0mm or Acceleration amplitude 245m/s <sup>2</sup> whichever is smaller.<br>Testing Time : A period of 2 hours in each of 3 mutually perpendicular directions. (Total 6 h) |           |                              |             |               |              |  |
| 7-2-5                        | Resistance to Soldering Heat |   | Pre-Heating : 150°C±10°C, 60s~90s<br>Solder : Sn-3.0Ag-0.5Cu<br>Solder Temperature : 270°C±5°C<br>Immersion Time : 10s±0.5s<br>Immersion and emersion rates : 25mm/s<br>Then measured after exposure in the room condition for 48h±4h.   |           |                              |             |               |              |  |
| 7-2-6                        | Drop                         | Products shall be no failure after tested.  | It shall be dropped on concrete or steel board.<br>Method : free fall<br>Height : 75cm<br>Attitude from which the product is dropped : 3 direction<br>The number of times : 3 times for each direction<br>(Total 9 times)  |           |                              |             |               |              |  |

| No.   | Item          | Specification   | Test Method   |
|-------|---------------|---|---|
| 7-2-7 | Solderability | The electrodes shall be at least 95% covered with new solder coating. | Flux : Ethanol solution of rosin,25(wt)%<br>Pre-Heating : 150°C±10°C, 60s~90s<br>Solder : Sn-3.0Ag-0.5Cu<br>Solder Temperature : 240°C±5°C<br>Immersion Time : 4s±1s<br>Immersion and emersion rates : 25mm/s |

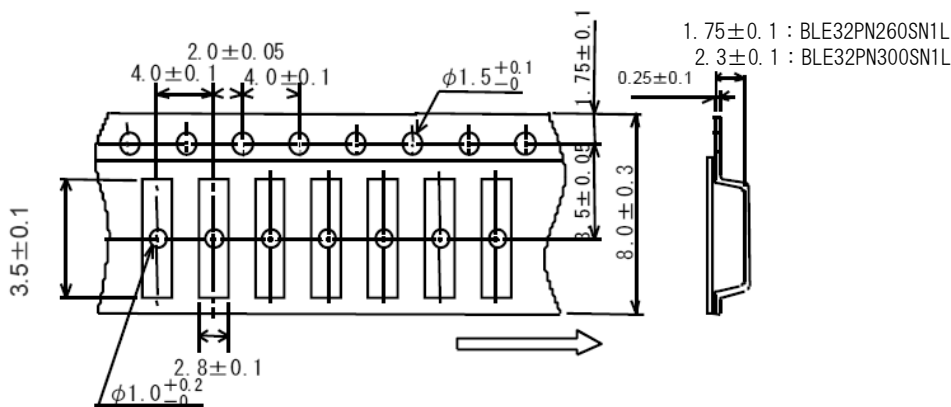
**7-3. Environmental Performance**

It shall be soldered on the substrate.

| No.   | Item              | Specification | Test Method  |
|-------|-------------------|---------------|--|
| 7-3-1 | Temperature Cycle | Meet Table 1. | 1 cycle:<br>1 step: -55 °C(+0 °C,-3 °C) / 30min±3min<br>2 step: Ordinary temp. / 10min to 15min<br>3 step: +125 °C(+3 °C,-0 °C) / 30min±3min<br>4 step: Ordinary temp. / 10min to 15min<br>Total of 100 cycles<br>Then measured after exposure in the room condition for 48h±4h. |
| 7-3-2 | Humidity          |               | Temperature : 40°C±2°C<br>Humidity : 90%(RH) to 95%(RH)<br>Time : 1000h(+48h,-0h)<br>Then measured after exposure in the room condition for 48h±4h.  |
| 7-3-3 | Heat Life         |               | Temperature : 125°C±3°C<br>Applying Current : Rated Current<br>Time : 1000h(+48h,-0h)<br>Then measured after exposure in the room condition for 48h±4h.  |
| 7-3-4 | Cold Resistance   |               | Temperature : -55±2°C<br>Time : 1000h(+48h,-0h)<br>Then measured after exposure in the room condition for 48h±4h.  |

**8. Specification of Packaging**

**8-1. Appearance and Dimensions** (8mm-wide plastic tape)



(in mm)

\*Dimension of the Cavity is measured at the bottom side.

- (1) Taping  
Products shall be packaged in the each embossed cavity of 8mm-wide, 4mm-pitch and plastic tape continuously and sealed by cover tape.
- (2) Sprocket hole : The sprocket holes are to the right as the tape is pulled toward the user.
- (3) Spliced point : The cover tape has no spliced point.
- (4) Missing components number  
Missing components number within 0.1% of the number per reel or 1 pc., whichever is greater, and are not continuous. The specified quantity per reel is kept.



**9. ⚠ Caution**

**9-1. Surge current**

Excessive surge current (pulse current or rush current) than specified rated current applied to the product may cause a critical failure, such as an open circuit, burnout caused by excessive temperature rise.  
Please contact us in advance in case of applying the surge current.

**9-2. Limitation of Applications**

Please contact us before using our products for the applications listed below which require especially high reliability for the prevention of defects which might directly cause damage to the third party's life, body or property.

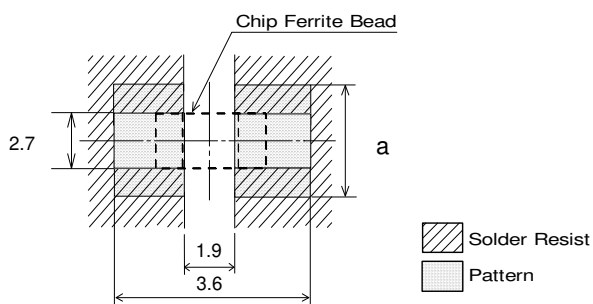
- (1) Aircraft equipment
- (2) Aerospace equipment
- (3) Undersea equipment
- (4) Power plant control equipment
- (5) Medical equipment
- (6) Disaster prevention / crime prevention equipment
- (7) Traffic signal equipment
- (8) Transportation equipment (vehicles, trains, ships, etc.)
- (9) Applications of similar complexity and /or reliability requirements to the applications listed in the above

**10. Notice**

This product is designed for solder mounting.  
Please consult us in advance for applying other mounting method such as conductive adhesive.

**10-1. Land pattern designing**

- Standard land dimensions (Flow and Reflow soldering)



| Rated Current (A) | Land pad thickness and dimension a |
|-------------------|------------------------------------|
|                   | 10                                 |

(in mm)

\*The excessive heat by land pads may cause deterioration at joint of products with substrate.

**10-2. Soldering Conditions**

Products can be applied to reflow and flow soldering.

(1) Flux, Solder

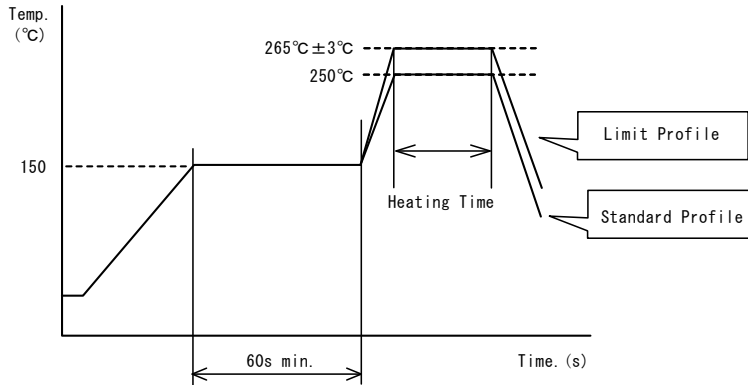
|        |  |
|--------|--|
| Flux   | Use rosin-based flux, but not highly acidic flux (with chlorine content exceeding 0.2(wt)%.)<br>Do not use water-soluble flux. |
| Solder | Use Sn-3.0Ag-0.5Cu solder<br>Standard thickness of solder paste : 100 μm to 200 μm   |

(2) Soldering conditions

- Pre-heating should be in such a way that the temperature difference between solder and ferrite surface is limited to 150°C max. Also cooling into solvent after soldering should be in such a way that the temperature difference is limited to 100°C max.  
Insufficient pre-heating may cause cracks on the ferrite, resulting in the deterioration of product quality.
- Standard soldering profile and the limit soldering profile is as follows.  
The excessive limit soldering conditions may cause leaching of the electrode and / or resulting in the deterioration of product quality.

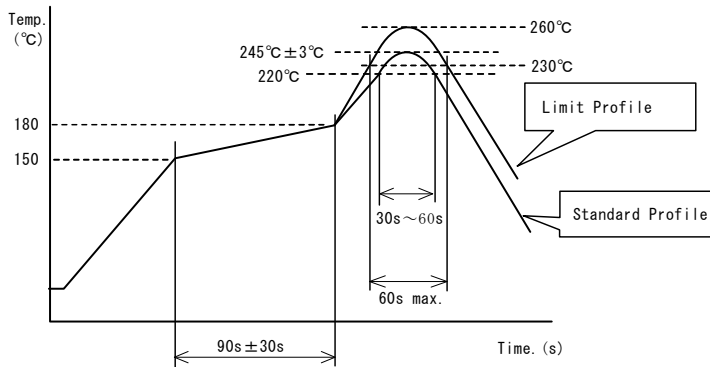
(3) soldering profile

□ Flow soldering profile



|               | Standard Profile | Limit Profile     |
|---------------|------------------|-------------------|
| Pre-heating   | 150°C、60s min.   |                   |
| Heating       | 250°C、4~6s       | 265°C±3°C、5s max. |
| Cycle of flow | 2 times          | 2 times           |

□ Reflow soldering profile



|                  | Standard Profile    | Limit Profile        |
|------------------|---------------------|----------------------|
| Pre-heating      | 150~180°C、90s±30s   |                      |
| Heating          | above 220°C、30s~60s | above 230°C、60s max. |
| Peak temperature | 245±3°C             | 260°C、10s            |
| Cycle of reflow  | 2 times             | 2 times              |

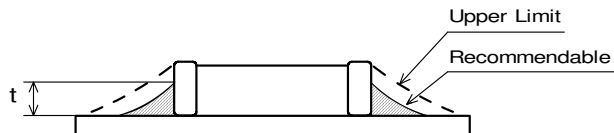
**10-3. Reworking with soldering iron**

- Pre-heating: 150°C, 1 min
- Tip temperature: 350°C max.
- Soldering time : 3(+1,-0) seconds.
- Soldering iron output: 80W max.
- Tip diameter: φ 3mm max.
- Times : 2times max.

Note :Do not directly touch the products with the tip of the soldering iron in order to prevent the crack on the ferrite material due to the thermal shock.

**10-4. Solder Volume**

Solder shall be used not to be exceed as shown below.



$$1/3T \leq t \leq T$$

(T:Chip thickness)

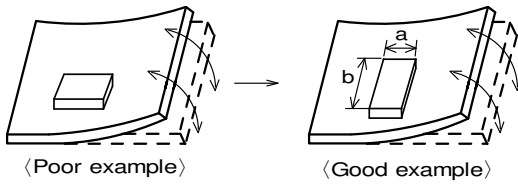
Accordingly increasing the solder volume, the mechanical stress to product is also increased. Exceeding solder volume may cause the failure of mechanical or electrical performance.



**10-5. Attention regarding P.C.B. bending**

The following shall be considered when designing and laying out P.C.B.'s.

- (1) P.C.B. shall be designed so that products are not subject to the mechanical stress for board warpage.  
<Products direction>



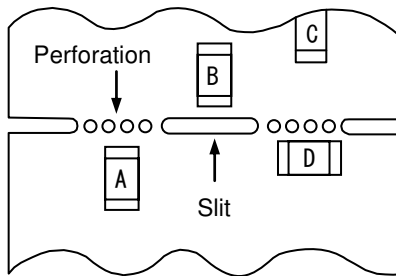
Products shall be located in the sideways direction (Length:a<b) to the mechanical stress.

- (2) Components location on P.C.B. separation.

It is effective to implement the following measures, to reduce stress in separating the board.

It is best to implement all of the following three measures; however, implement as many measures as possible to reduce stress.

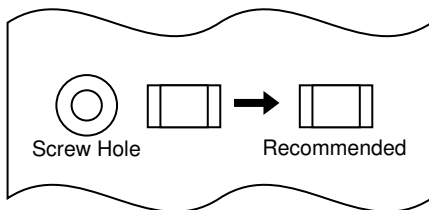
| Contents of Measures   | Stress Level |
|--|--------------|
| (1) Turn the mounting direction of the component parallel to the board separation surface. | A > D *1     |
| (2) Add slits in the board separation part.  | A > B        |
| (3) Keep the mounting position of the component away from the board separation surface.    | A > C        |



\*1 A > D is valid when stress is added vertically to the perforation as with Hand Separation. If a Cutting Disc is used, stress will be diagonal to the PCB, therefore A > D is invalid.

- (3) Mounting Components Near Screw Holes

When a component is mounted near a screw hole, it may be affected by the board deflection that occurs during the tightening of the screw. Mount the component in a position as far away from the screw holes as possible.



**10-6. Mounting density**

Add special attention to radiating heat of products when mounting the inductor near the products with heating. The excessive heat by other products may cause deterioration at joint of this product with substrate.

**10-7. Operating Environment**

Do not use this product under the following environmental conditions, on deterioration of the Insulation Resistance of the Ferrite material and/or corrosion of Inner Electrode may result from the use.

- (1) in the corrodible atmosphere (acidic gases, alkaline gases, chlorine, sulfur gases, organic gases and etc.)
- (2) in the atmosphere where liquid such as organic solvent, may splash on the products.
- (3) in the atmosphere where the temperature / humidity changes rapidly and it is easy to dew.



**10-8. Resin coating**

The impedance value may change and/or it may affect on the product's performance due to high cure-stress of resin to be used for coating / molding products. So please pay your careful attention when you select resin. In prior to use, please make the reliability evaluation with the product mounted in your application set.

**10-9. Cleaning Conditions**

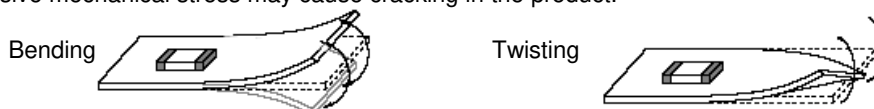
Products shall be cleaned on the following conditions.

- (1) Cleaning temperature shall be limited to 60°C max. (40°C max. for IPA.)
- (2) Ultrasonic cleaning shall comply with the following conditions, avoiding the resonance phenomenon at the mounted products and P.C.B.  
Power:20W/ℓ max. Frequency:28kHz to 40kHz Time:5 min max.
- (3) Cleaner
  - 1.Alternative cleaner
    - Isopropyl alcohol (IPA)
  - 2.Aqueous agent
    - PINE ALPHA ST-100S
- (4) There shall be no residual flux and residual cleaner after cleaning.  
In the case of using aqueous agent, products shall be dried completely after rinse with de-ionized water in order to remove the cleaner.
- (5) Other cleaning  
Please contact us.

**10-10. Handling of a substrate**

After mounting products on a substrate, do not apply any stress to the product caused by bending or twisting to the substrate when cropping the substrate, inserting and removing a connector from the substrate or tightening screw to the substrate.

Excessive mechanical stress may cause cracking in the product.

**10-11. Storage Conditions**

- (1) Storage period  
Use the products within 6 months after delivered.  
Solderability should be checked if this period is exceeded.
- (2) Storage conditions
  - Products should be stored the warehouse on the following conditions.  
Temperature : -10°C to 40°C  
Humidity : 15% to 85% relative humidity  
No rapid change on temperature and humidity
  - Don't keep products in corrosive gases such as sulfur, chlorine gas or acid, or it may cause oxidization of electrode, resulting in poor solderability.
  - Products should be stored on the palette for the prevention of the influence from humidity, dust and so on.
  - Products should be stored in the warehouse without heat shock, vibration, direct sunlight and so on.
  - Products should be stored under the airtight packaged condition.
- (3) Delivery  
Care should be taken when transporting or handling product to avoid excessive vibration or mechanical shock.

**11.  Note**

- (1) Please make sure that your product has been evaluated in view of your specifications with our product being mounted to your product.
- (2) You are requested not to use our product deviating from the agreed specifications.
- (3) The contents of this reference specification are subject to change without advance notice. Please approve our product specifications or transact the approval sheet for product specifications before ordering.