



Chipsmall Limited consists of a professional team with an average of over 10 year of expertise in the distribution of electronic components. Based in Hongkong, we have already established firm and mutual-benefit business relationships with customers from,Europe,America and south Asia,supplying obsolete and hard-to-find components to meet their specific needs.

With the principle of "Quality Parts,Customers Priority,Honest Operation,and Considerate Service",our business mainly focus on the distribution of electronic components. Line cards we deal with include Microchip,ALPS,ROHM,Xilinx,Pulse,ON,Everlight and Freescale. Main products comprise IC,Modules,Potentiometer,IC Socket,Relay,Connector.Our parts cover such applications as commercial,industrial, and automotives areas.

We are looking forward to setting up business relationship with you and hope to provide you with the best service and solution. Let us make a better world for our industry!



## Contact us

Tel: +86-755-8981 8866 Fax: +86-755-8427 6832

Email & Skype: info@chipsmall.com Web: www.chipsmall.com

Address: A1208, Overseas Decoration Building, #122 Zhenhua RD., Futian, Shenzhen, China





## BLED-20W Series

Budget Series Switch Mode LED Drivers  
 Constant Current with Isolation  
 Black Magic Thermal Advantage™ Plastic Housing

### Electrical Specifications

Input Voltage Range:	100-277 Vac Nom. (90-305 V Min/Max)
Frequency:	50/60 Hz Nom. (47-63 Hz Min/Max)
Power Factor:	>0.90 @ full load, 120V; >0.80 @ full load, 277V
Inrush Current:	<10.0 A max @ 230 Vac, cold start 25°C
Input Current:	0.25 A max @ 120 Vac; 0.13 A max @ 230 Vac
Maximum Power:	20W
Line Regulation:	± 4%
Load Regulation:	± 5%
THD:	≤ 20% @ full load
Leakage Current:	300 µA Typical
Hold Up Time:	Half Cycle
Start-up Time:	< 1.0 S
Output Protection:	Over-Voltage, Over-Current, Short Circuit (auto-recovery)

### Environmental Specifications

Minimum Starting Temp:	-30°C
Storage Temperature:	-40°C to +85°C
Maximum Case Temp.	90°C
Humidity:	5% to 95%
Cooling:	Convection
Sound Rating:	Class A
Vibration Frequency:	5 to 55 Hz/2g, 30 minutes
MTBF:	580,000 Hours @ full load, 40°C per MIL-217F Notice 2
Impact Resistance:	1g/s
Weight:	5.8 oz (165 g)



- Smaller footprint than our standard drivers
- Total Power: 20 Watts
- Input Voltage: 100-277 Vac
- Indoor Applications, IP64
- UL Dry or Damp Location Rated
- 2 year Warranty

Constant Current - Product Specifications				
Model Number	Output Current (mA ±5%)	Output Voltage Range (Vdc)	Max. Output Power (W)	Typical Efficiency
BLED20W-200-C0100	100	120-200	20	88
BLED20W-150-C0130	130	90-150	20	88
BLED20W-100-C0200	200	60-100	20	87
BLED20W-057-C0350	320	34-57	20	87
BLED20W-048-C0420	420	29-48	20	86
BLED20W-043-C0465	465	26-43	20	86
BLED20W-040-C0500	500	24-40	20	85
BLED20W-036-C0550	550	21-36	20	85
BLED20W-028-C0700	700	17-28	20	84
BLED20W-024-C0830	830	14-24	20	84
BLED20W-022-C0900	900	13-22	20	83
BLED20W-018-C1110	1110	11-18	20	83
BLED20W-015-C1330	1330	9-15	20	82
BLED20W-012-C1700	1700	7-12	20	81

Class 2: US/Canada



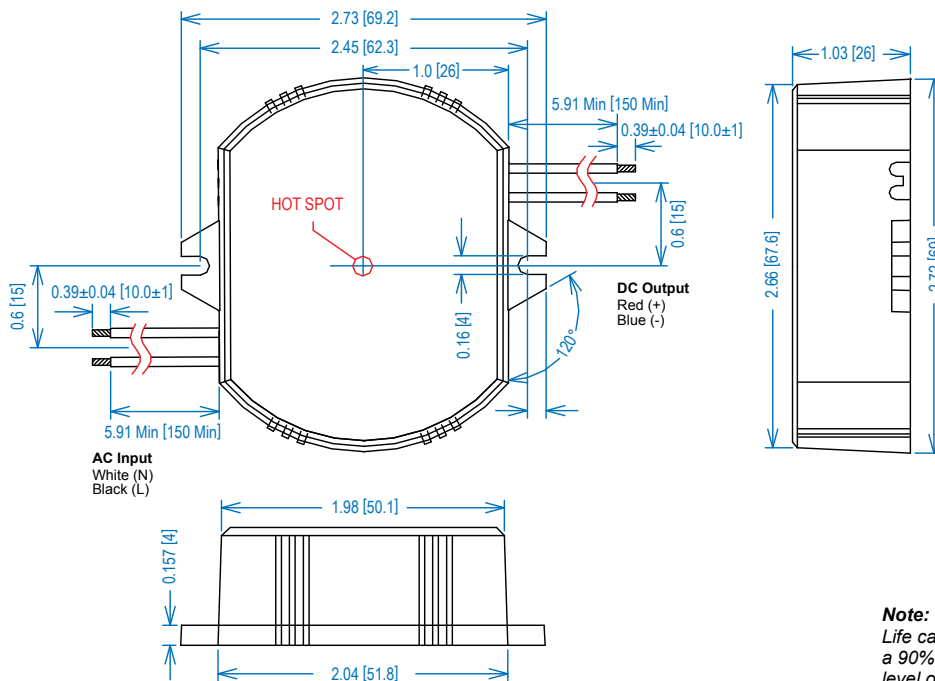
**Note:**  
 LED drivers are designed and intended to operate LED loads only. Non-LED loading may be outside the specified design limits of our LED drivers, and therefore cannot be covered by any warranty. If you desire to use our LED drivers to operate non-LED loads please contact us to discuss compatibility.

Specifications subject to change without notice.

Rev 6-6-16

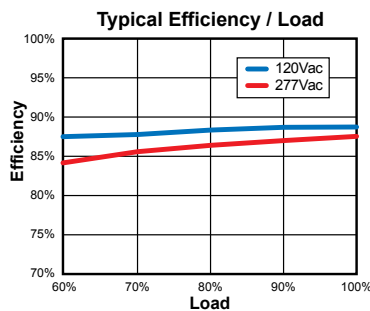
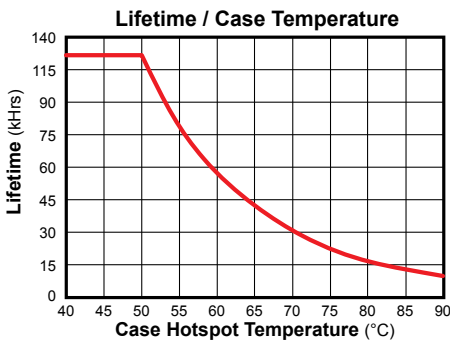
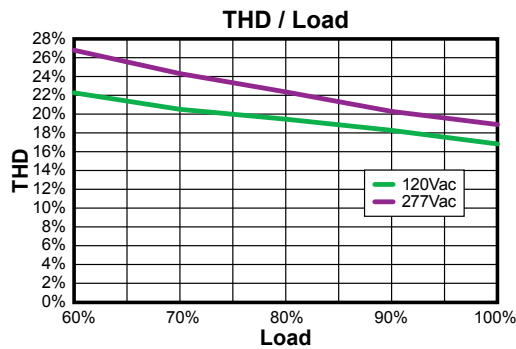
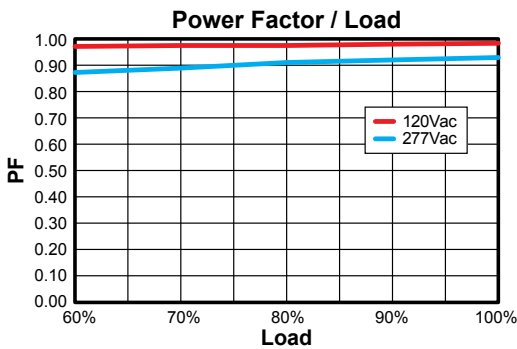


## Dimensions - mm



**Note:**

Life calculations are based on reliability with confidence using a 90% confidence level and <5% failure rate. At a confidence level of 90% it is expected that <5% of the parts will fail at the rated life provided. (Failure is defined as a driver drifting outside specification, rather than fail to operate)



Safety and EMC Compliance	
UL/CUL	UL8750, CSA-C22.2
C E	EN61347
FCC, 47CFR Part 15	Class B
EN61000-3-2	
EN61000-3-3	Class C

## UL Conditions of Acceptability

See website for additional information

**Note:**

Disconnect power to LED driver for at least 30 seconds before connecting or disconnecting Driver output and LED Engine. This prevents potential arcing transients that can damage the Engine and Driver. See Hot Plugging in our Driver Application Guide for more information.