



Chipsmall Limited consists of a professional team with an average of over 10 year of expertise in the distribution of electronic components. Based in Hongkong, we have already established firm and mutual-benefit business relationships with customers from,Europe,America and south Asia,supplying obsolete and hard-to-find components to meet their specific needs.

With the principle of “Quality Parts,Customers Priority,Honest Operation,and Considerate Service”,our business mainly focus on the distribution of electronic components. Line cards we deal with include Microchip,ALPS,ROHM,Xilinx,Pulse,ON,Everlight and Freescale. Main products comprise IC,Modules,Potentiometer,IC Socket,Relay,Connector.Our parts cover such applications as commercial,industrial, and automotives areas.

We are looking forward to setting up business relationship with you and hope to provide you with the best service and solution. Let us make a better world for our industry!



## Contact us

Tel: +86-755-8981 8866 Fax: +86-755-8427 6832

Email & Skype: [info@chipsmall.com](mailto:info@chipsmall.com) Web: [www.chipsmall.com](http://www.chipsmall.com)

Address: A1208, Overseas Decoration Building, #122 Zhenhua RD., Futian, Shenzhen, China



# BLF871; BLF871S

UHF power LDMOS transistor

Rev. 5 — 1 September 2015

AMMPELON

Product data sheet

## 1. Product profile

### 1.1 General description

A 100 W LDMOS RF power transistor for broadcast transmitter applications and industrial applications. The transistor can deliver 100 W broadband from HF to 1 GHz. The excellent ruggedness and broadband performance of this device makes it ideal for digital transmitter applications.

**Table 1. Typical performance**

RF performance at  $V_{DS} = 40$  V in a common-source 860 MHz test circuit.

Mode of operation	f (MHz)	$P_L$ (W)	$P_{L(PEP)}$ (W)	$P_{L(AV)}$ (W)	$G_p$ (dB)	$\eta_D$ (%)	IMD3 (dBc)	PAR (dB)
CW, class AB	860	100	-	-	21	60	-	-
2-tone, class AB	$f_1 = 860; f_2 = 860.1$	-	100	-	21	47	-35	-
DVB-T (8k OFDM)	858	-	-	24	22	33	-34 <sup>[1]</sup>	8.3 <sup>[2]</sup>

[1] Measured [dBc] with delta marker at 4.3 MHz from center frequency.

[2] PAR (of output signal) at 0.01 % probability on CCDF; PAR of input signal = 9.5 dB at 0.01 % probability on CCDF.

### CAUTION



This device is sensitive to ElectroStatic Discharge (ESD). Therefore care should be taken during transport and handling.

### 1.2 Features

- 2-tone performance at 860 MHz, a drain-source voltage  $V_{DS}$  of 40 V and a quiescent drain current  $I_{Dq} = 0.5$  A:
  - ◆ Peak envelope power load power = 100 W
  - ◆ Power gain = 21 dB
  - ◆ Drain efficiency = 47 %
  - ◆ Third order intermodulation distortion = -35 dBc
- DVB performance at 858 MHz, a drain-source voltage  $V_{DS}$  of 40 V and a quiescent drain current  $I_{Dq} = 0.5$  A:
  - ◆ Average output power = 24 W
  - ◆ Power gain = 22 dB
  - ◆ Drain efficiency = 33 %
  - ◆ Third order intermodulation distortion = -34 dBc (4.3 MHz from center frequency)

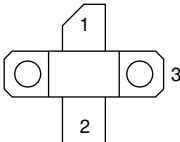
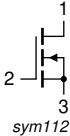
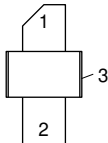
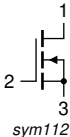
- Integrated ESD protection
- Excellent ruggedness
- High power gain
- High efficiency
- Excellent reliability
- Easy power control
- Compliant to Directive 2002/95/EC, regarding Restriction of Hazardous Substances (RoHS)

### 1.3 Applications

- Communication transmitter applications in the UHF band
- Industrial applications in the UHF band

## 2. Pinning information

Table 2. Pinning

Pin	Description	Simplified outline	Graphic symbol
<b>BLF871 (SOT467C)</b>			
1	drain		
2	gate		
3	source		
<b>BLF871S (SOT467B)</b>			
1	drain		
2	gate		
3	source		

[1] Connected to flange.

## 3. Ordering information

Table 3. Ordering information

Type number	Package		
	Name	Description	Version
BLF871	-	flanged LDMOST ceramic package; 2 mounting holes; 2 leads	SOT467C
BLF871S	-	earless LDMOST ceramic package; 2 leads	SOT467B

## 4. Limiting values

**Table 4. Limiting values**

In accordance with the Absolute Maximum Rating System (IEC 60134).

Symbol	Parameter	Conditions	Min	Max	Unit
$V_{DS}$	drain-source voltage		-	89	V
$V_{GS}$	gate-source voltage		-0.5	+13	V
$T_{stg}$	storage temperature		-65	+150	°C
$T_j$	junction temperature		-	200	°C

## 5. Thermal characteristics

**Table 5. Thermal characteristics**

Symbol	Parameter	Conditions	Typ	Unit
$R_{th(j-c)}$	thermal resistance from junction to case	$T_{case} = 80\text{ °C};$ $P_{L(AV)} = 50\text{ W}$	[1] 0.95	K/W

[1]  $R_{th(j-c)}$  is measured under RF conditions.

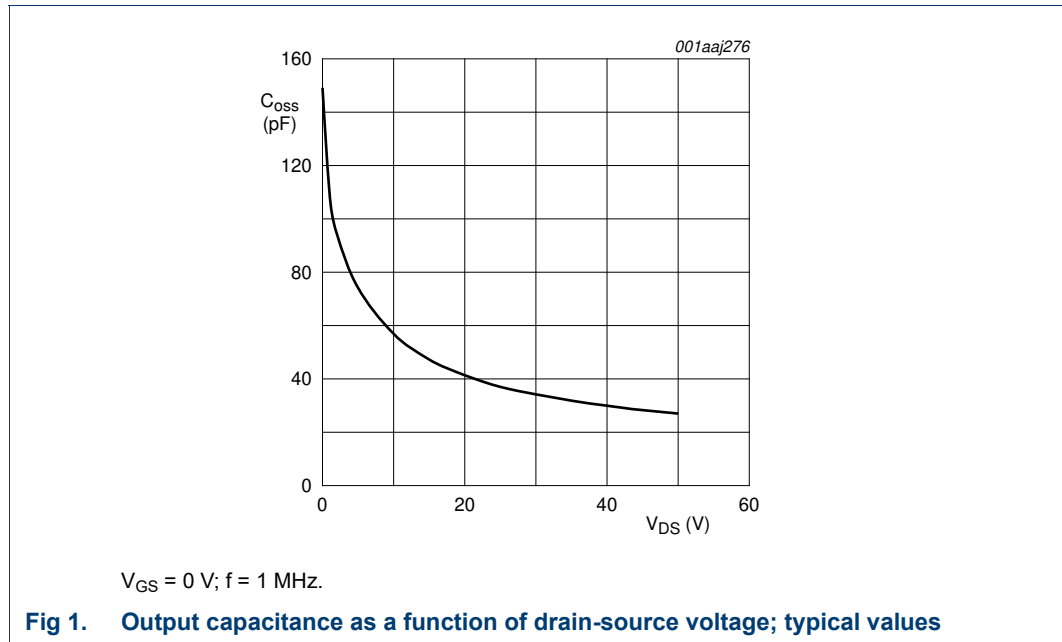
## 6. Characteristics

**Table 6. Characteristics**

$T_j = 25\text{ °C}$  unless otherwise specified.

Symbol	Parameter	Conditions	Min	Typ	Max	Unit
$V_{(BR)DSS}$	drain-source breakdown voltage	$V_{GS} = 0\text{ V}; I_D = 1.12\text{ mA}$	[1] 89	-	105.5	V
$V_{GS(th)}$	gate-source threshold voltage	$V_{DS} = 10\text{ V}; I_D = 112\text{ mA}$	[1] 1.4	-	2.4	V
$I_{DSS}$	drain leakage current	$V_{GS} = 0\text{ V}; V_{DS} = 40\text{ V}$	-	-	1.4	μA
$I_{DSX}$	drain cut-off current	$V_{GS} = V_{GS(th)} + 3.75\text{ V};$ $V_{DS} = 10\text{ V}$	16.7	20	-	A
$I_{GSS}$	gate leakage current	$V_{GS} = 10\text{ V}; V_{DS} = 0\text{ V}$	-	-	140	nA
$R_{DS(on)}$	drain-source on-state resistance	$V_{GS} = V_{GS(th)} + 3.75\text{ V};$ $I_D = 3.7\text{ A}$	[1] -	210	-	mΩ
$C_{iss}$	input capacitance	$V_{GS} = 0\text{ V}; V_{DS} = 40\text{ V};$ $f = 1\text{ MHz}$	-	95	-	pF
$C_{oss}$	output capacitance	$V_{GS} = 0\text{ V}; V_{DS} = 40\text{ V};$ $f = 1\text{ MHz}$	-	30	-	pF
$C_{rss}$	reverse transfer capacitance	$V_{GS} = 0\text{ V}; V_{DS} = 40\text{ V};$ $f = 1\text{ MHz}$	-	1	-	pF

[1]  $I_D$  is the drain current.



## 7. Application information

**Table 7. RF performance in a common-source narrowband 860 MHz test circuit**  
 $T_h = 25 \text{ }^\circ\text{C}$  unless otherwise specified.

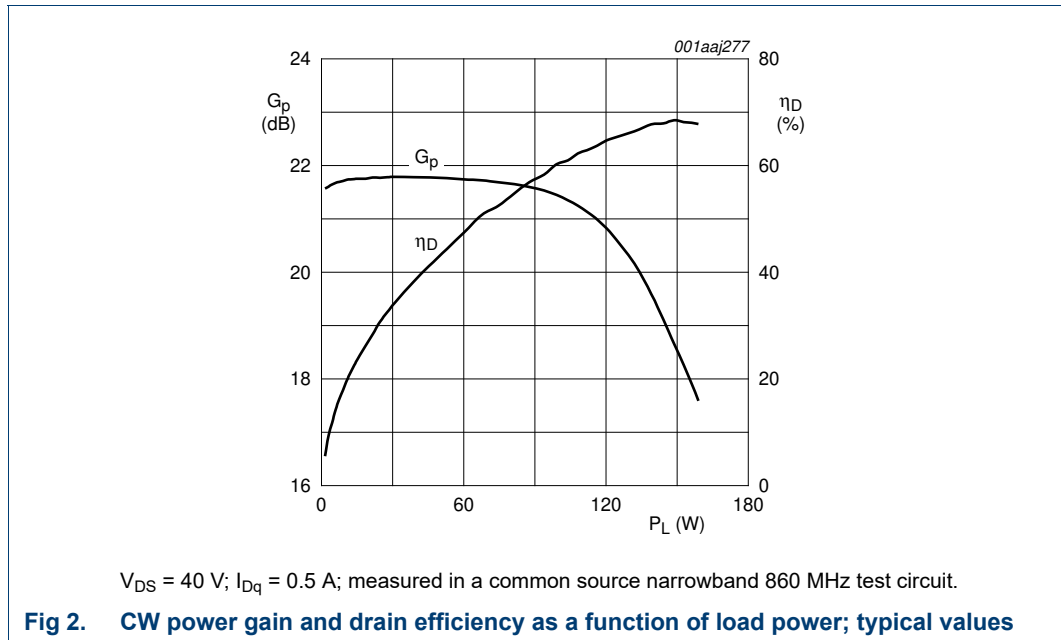
Mode of operation	f (MHz)	$V_{DS}$ (V)	$I_{Dq}$ (A)	$P_{L(PEP)}$ (W)	$P_{L(AV)}$ (W)	$G_p$ (dB)	$\eta_D$ (%)	IMD3 (dBc)	PAR (dB)
2-tone, class AB	$f_1 = 860;$ $f_2 = 860.1$	40	0.5	100	-	> 19	> 44	< -30	-
DVB-T (8k OFDM)	858	40	0.5	-	24	> 19	> 30	< -31 [1]	> 7.8 [2]

[1] Measured [dBc] with delta marker at 4.3 MHz from center frequency.

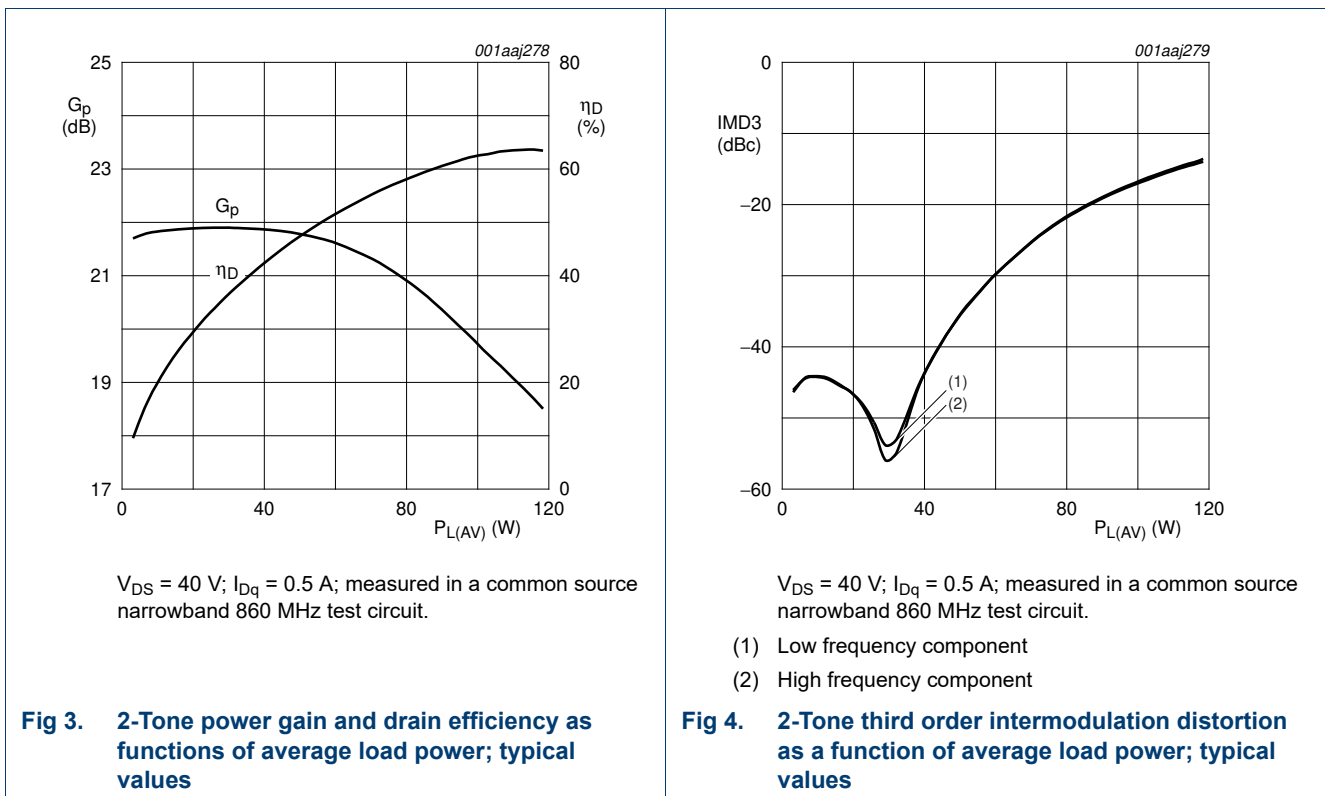
[2] PAR (of output signal) at 0.01 % probability on CCDF; PAR of input signal = 9.5 dB at 0.01 % probability on CCDF.

7.1 Narrowband RF figures

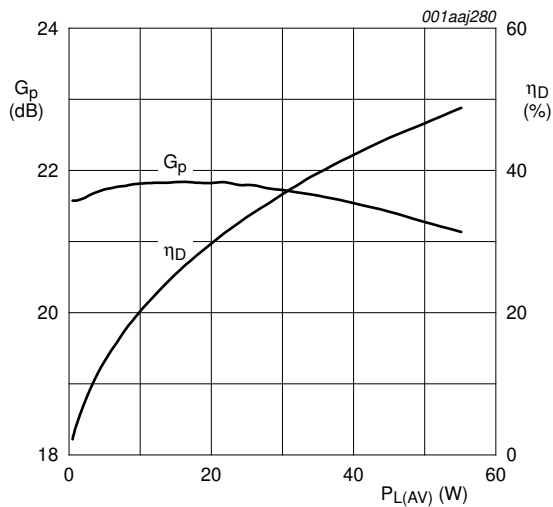
7.1.1 CW



7.1.2 2-Tone

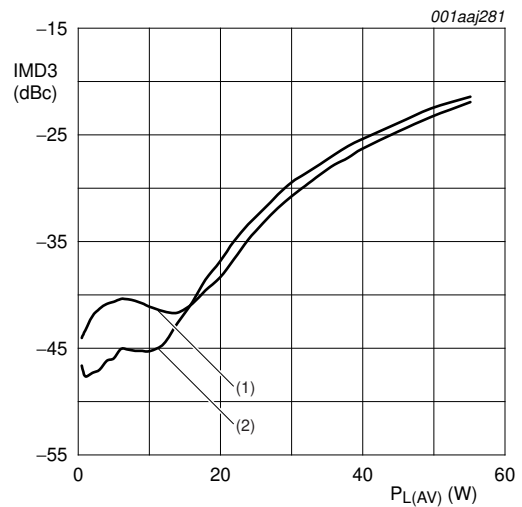


7.1.3 DVB-T



$V_{DS} = 40\text{ V}$ ;  $I_{Dq} = 0.5\text{ A}$ ; measured in a common source narrowband 860 MHz test circuit.

Fig 5. DVB-T power gain and drain efficiency as functions of average load power; typical values



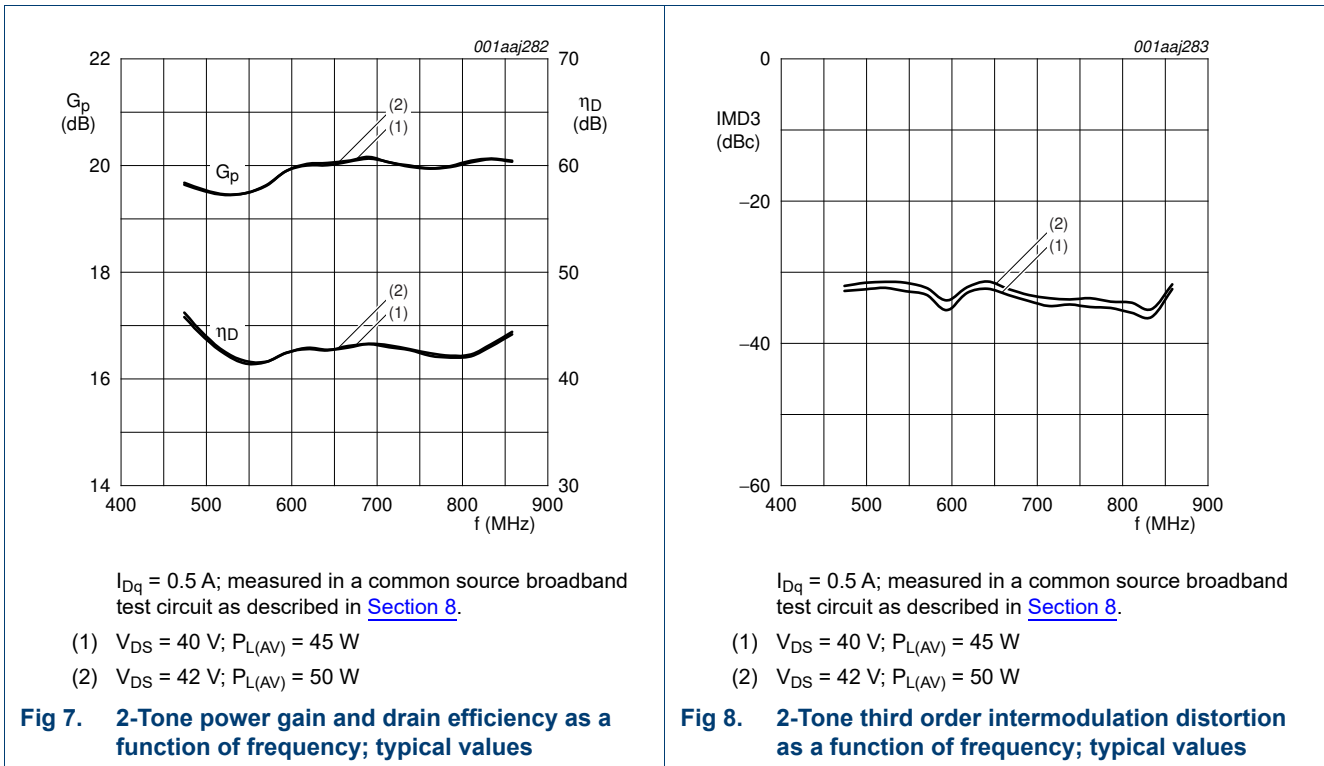
$V_{DS} = 40\text{ V}$ ;  $I_{Dq} = 0.5\text{ A}$ ; measured in a common source narrowband 860 MHz test circuit.

- (1) Low frequency component
- (2) High frequency component

Fig 6. DVB-T third order intermodulation distortion as a function of average load power; typical values

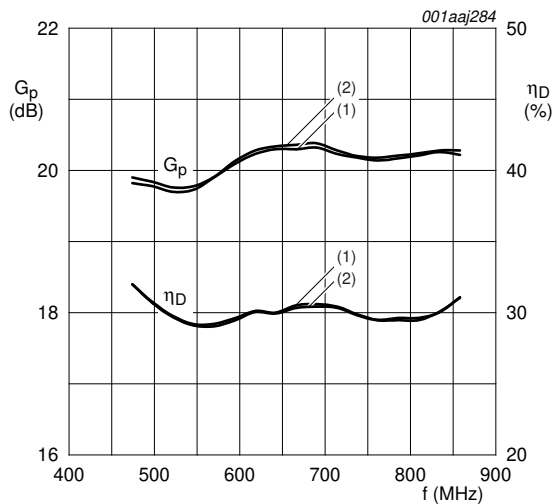
7.2 Broadband RF figures

7.2.1 2-Tone





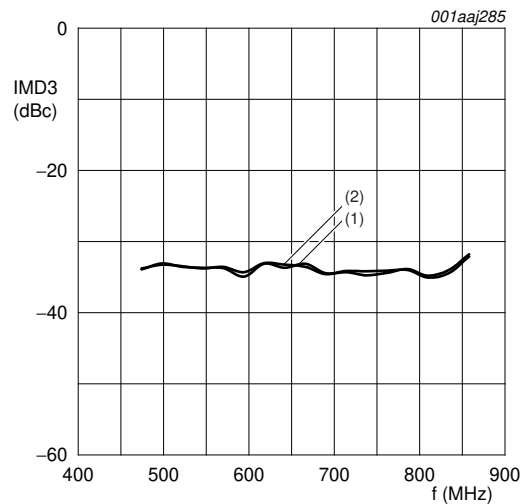
7.2.2 DVB-T



$I_{Dq} = 0.5 \text{ A}$ ; measured in a common source broadband test circuit as described in [Section 8](#).

- (1)  $V_{DS} = 40 \text{ V}$ ;  $P_{L(AV)} = 22 \text{ W}$
- (2)  $V_{DS} = 42 \text{ V}$ ;  $P_{L(AV)} = 24 \text{ W}$

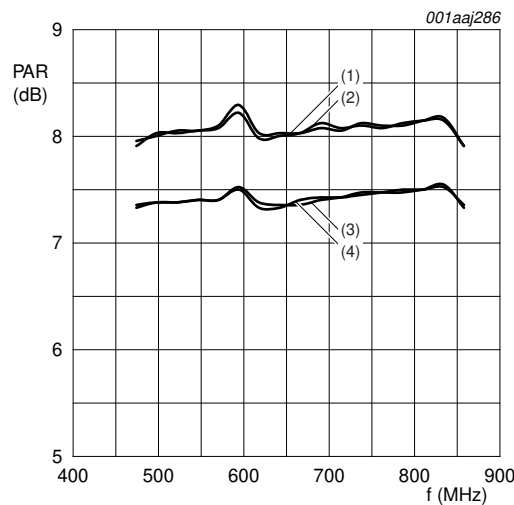
**Fig 9. DVB-T power gain and drain efficiency as functions of frequency; typical values**



$I_{Dq} = 0.5 \text{ A}$ ; measured in a common source broadband test circuit as described in [Section 8](#).

- (1)  $V_{DS} = 40 \text{ V}$ ;  $P_{L(AV)} = 22 \text{ W}$
- (2)  $V_{DS} = 42 \text{ V}$ ;  $P_{L(AV)} = 24 \text{ W}$

**Fig 10. DVB-T third order intermodulation distortion as a function of frequency; typical values**



$I_{Dq} = 0.5 \text{ A}$ ; measured in a common source broadband test circuit as described in [Section 8](#).

PAR of input signal = 9.5 dB at 0.01 % probability on CCDF.

- (1) PAR at 0.01 % probability on the CCDF;  $V_{DS} = 40 \text{ V}$ ;  $P_{L(AV)} = 22 \text{ W}$
- (2) PAR at 0.01 % probability on the CCDF;  $V_{DS} = 42 \text{ V}$ ;  $P_{L(AV)} = 24 \text{ W}$
- (3) PAR at 0.1 % probability on the CCDF;  $V_{DS} = 40 \text{ V}$ ;  $P_{L(AV)} = 22 \text{ W}$
- (4) PAR at 0.1 % probability on the CCDF;  $V_{DS} = 42 \text{ V}$ ;  $P_{L(AV)} = 24 \text{ W}$

**Fig 11. DVB-T PAR at 0.1 % and at 0.01 % probability on the CCDF as function of frequency; typical values**

### 7.3 Ruggedness in class-AB operation

The BLF871 and BLF871S are capable of withstanding a load mismatch corresponding to VSWR = 10 : 1 through all phases under the following conditions:  $V_{DS} = 42\text{ V}$ ;  $f = 860\text{ MHz}$  at rated power.

### 7.4 Impedance information

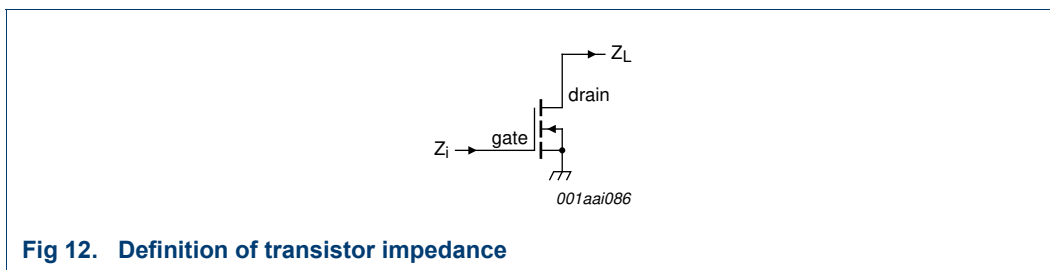


Fig 12. Definition of transistor impedance

Table 8. Typical impedance

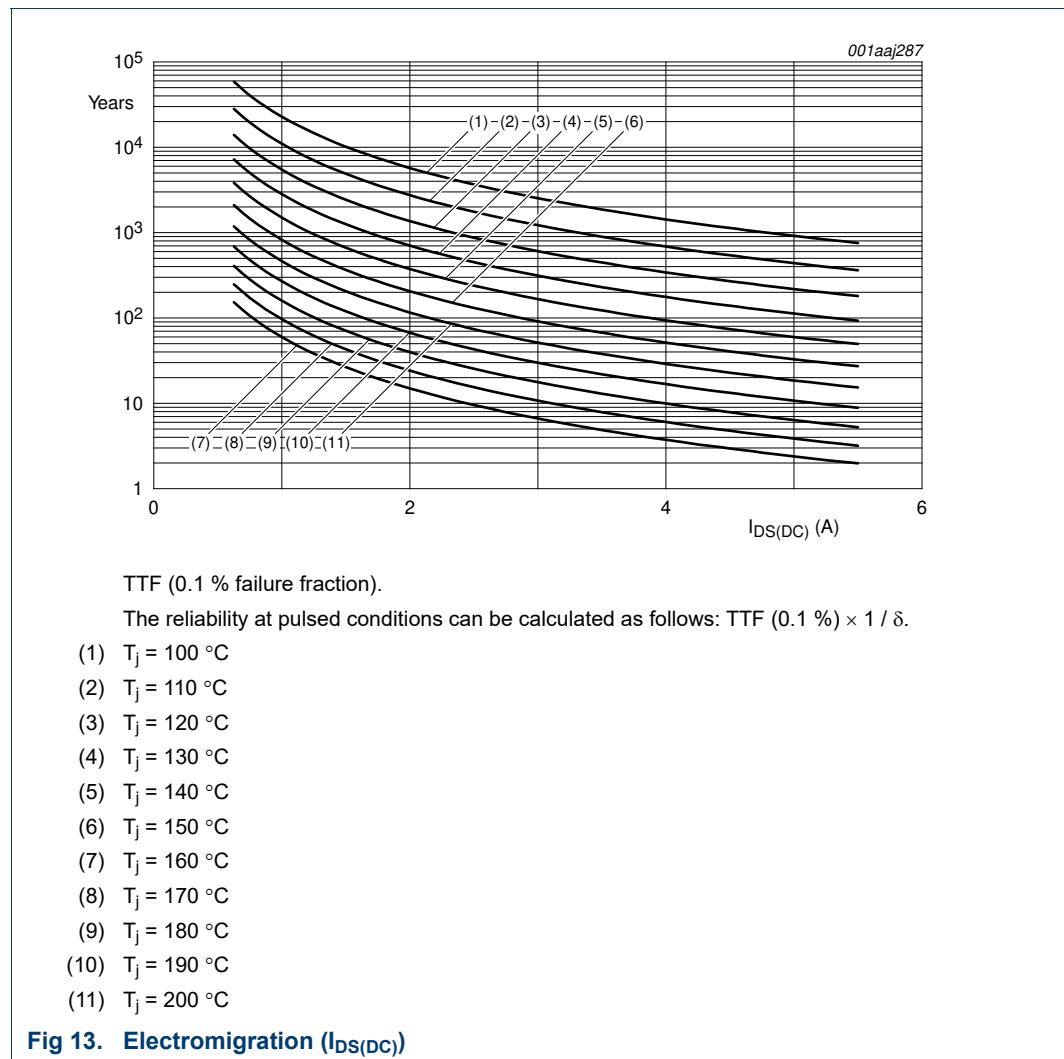
Simulated  $Z_i$  and  $Z_L$  device impedance; impedance info at  $V_{DS} = 42\text{ V}$ .

f (MHz)	$Z_i$ ( $\Omega$ )	$Z_L$ ( $\Omega$ )
300	0.977 - j3.327	5.506 + j1.774
325	0.977 - j2.983	5.366 + j1.858
350	0.978 - j2.681	5.223 + j1.930
375	0.979 - j2.414	5.078 + j1.990
400	0.979 - j2.174	4.932 + j2.040
425	0.980 - j1.956	4.786 + j2.079
450	0.981 - j1.758	4.640 + j2.108
475	0.982 - j1.576	4.495 + j2.128
500	0.982 - j1.407	4.352 + j2.138
525	0.983 - j1.250	4.212 + j2.140
550	0.984 - j1.103	4.074 + j2.135
575	0.985 - j0.964	3.940 + j2.122
600	0.986 - j0.834	3.809 + j2.102
625	0.987 - j0.709	3.682 + j2.077
650	0.988 - j0.591	3.558 + j2.045
675	0.990 - j0.478	3.438 + j2.009
700	0.991 - j0.370	3.323 + j1.968
725	0.992 - j0.266	3.211 + j1.923
750	0.993 - j0.165	3.103 + j1.874
775	0.995 - j0.068	3.000 + j1.822
800	0.996 + j0.026	2.900 + j1.766
825	0.997 + j0.117	2.804 + j1.708
850	0.999 + j0.206	2.711 + j1.648
875	1.000 + j0.292	2.623 + j1.586
900	1.002 + j0.376	2.538 + j1.521

**Table 8. Typical impedance ...continued**  
 Simulated  $Z_i$  and  $Z_L$  device impedance; impedance info at  $V_{DS} = 42\text{ V}$ .

f (MHz)	$Z_i$ ( $\Omega$ )	$Z_L$ ( $\Omega$ )
925	1.004 + j0.459	2.456 + j2.455
950	1.005 + j0.540	2.378 + j2.388
975	1.007 + j0.619	2.303 + j2.320
1000	1.009 + j0.696	2.230 + j2.250

**7.5 Reliability**



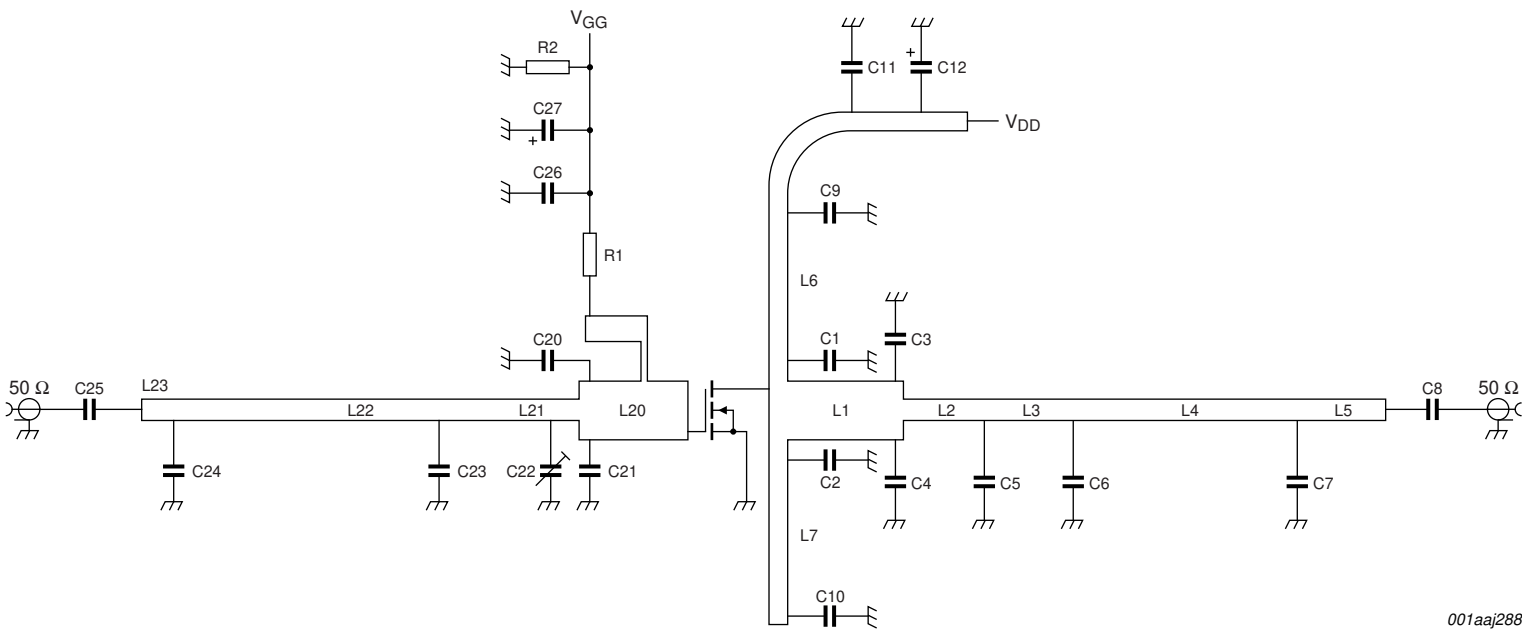
## 8. Test information

**Table 9. List of components**

For test circuit, see [Figure 14](#), [Figure 15](#) and [Figure 16](#).

Component	Description	Value	Remarks
C1, C2	multilayer ceramic chip capacitor	5.1 pF	[1]
C3, C4	multilayer ceramic chip capacitor	10 pF	[2]
C5	multilayer ceramic chip capacitor	6.8 pF	[1]
C6	multilayer ceramic chip capacitor	4.7 pF	[1]
C7	multilayer ceramic chip capacitor	2.7 pF	[1]
C8, C9, C10, C25, C26	multilayer ceramic chip capacitor	100 pF	[1]
C11, C27	multilayer ceramic chip capacitor	10 $\mu$ F	TDK C570X7R1H106KT000N or capacitor of same quality.
C12	electrolytic capacitor	470 $\mu$ F; 63 V	
C20	multilayer ceramic chip capacitor	10 pF	[3]
C21	multilayer ceramic chip capacitor	8.2 pF	[3]
C22	trimmer	0.6 pF to 4.5 pF	Tekelec
C23	multilayer ceramic chip capacitor	6.8 pF	[3]
C24	multilayer ceramic chip capacitor	3.9 pF	[3]
L1	stripline	-	[4] (W $\times$ L) 7 mm $\times$ 15 mm
L2	stripline	-	[4] (W $\times$ L) 2.4 mm $\times$ 9 mm
L3	stripline	-	[4] (W $\times$ L) 2.4 mm $\times$ 10 mm
L4	stripline	-	[4] (W $\times$ L) 2.4 mm $\times$ 25 mm
L5	stripline	-	[4] (W $\times$ L) 2.4 mm $\times$ 10 mm
L6	stripline	-	[4] (W $\times$ L) 2.0 mm $\times$ 20 mm
L7	stripline	-	[4] (W $\times$ L) 2.0 mm $\times$ 21 mm
L20	stripline	-	[4] (W $\times$ L) 7 mm $\times$ 12 mm
L21	stripline	-	[4] (W $\times$ L) 2.4 mm $\times$ 13 mm
L22	stripline	-	[4] (W $\times$ L) 2.4 mm $\times$ 31 mm
L23	stripline	-	[4] (W $\times$ L) 2.4 mm $\times$ 5 mm
R1	resistor	100 $\Omega$	
R2	resistor	10 k $\Omega$	

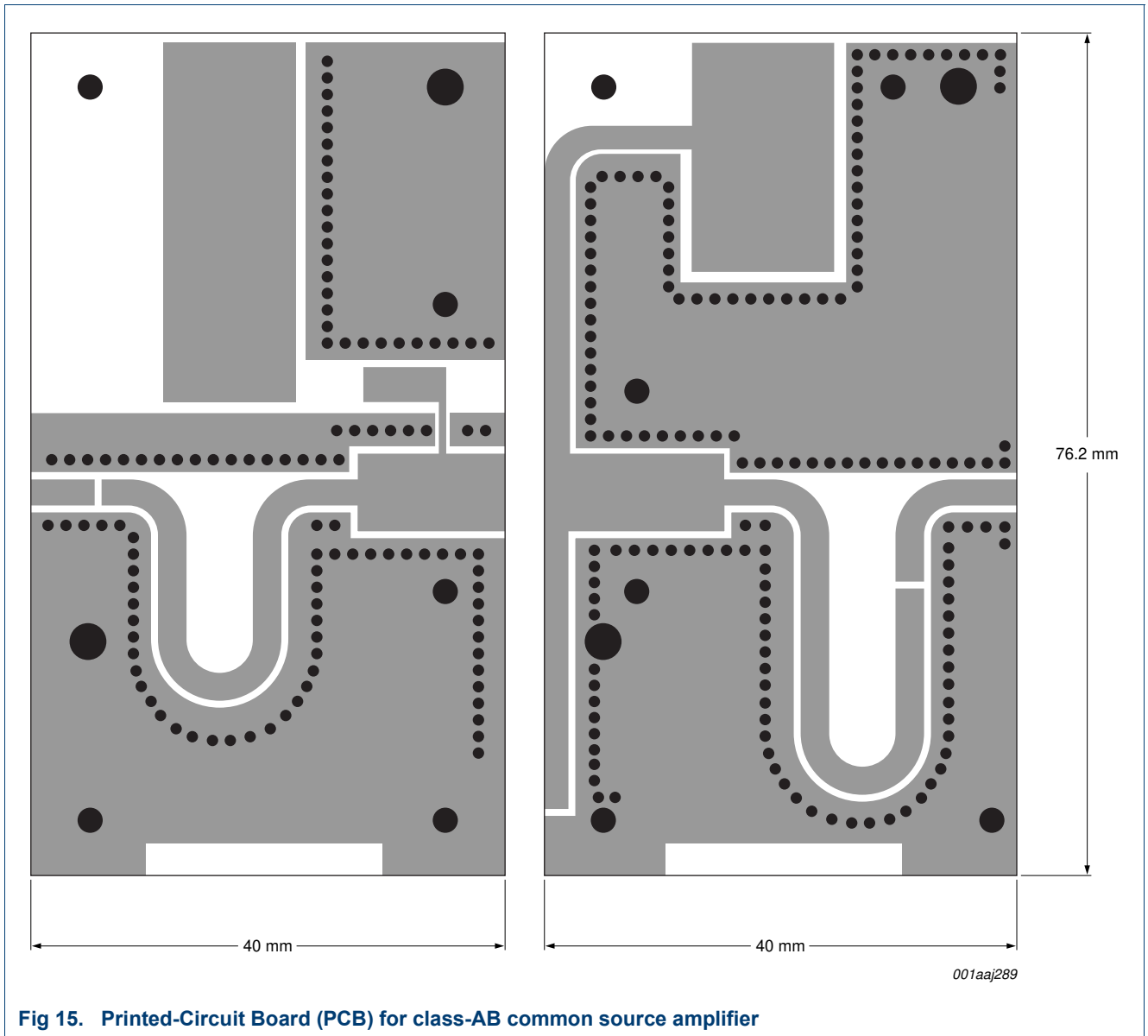
- [1] American technical ceramics type 100B or capacitor of same quality.
- [2] American technical ceramics type 180R or capacitor of same quality.
- [3] American technical ceramics type 100A or capacitor of same quality.
- [4] Printed-Circuit Board (PCB): Rogers 5880;  $\epsilon_r = 2.2$  F/m; height = 0.79 mm; Cu (top/bottom metallization); thickness copper plating = 35  $\mu$ m.

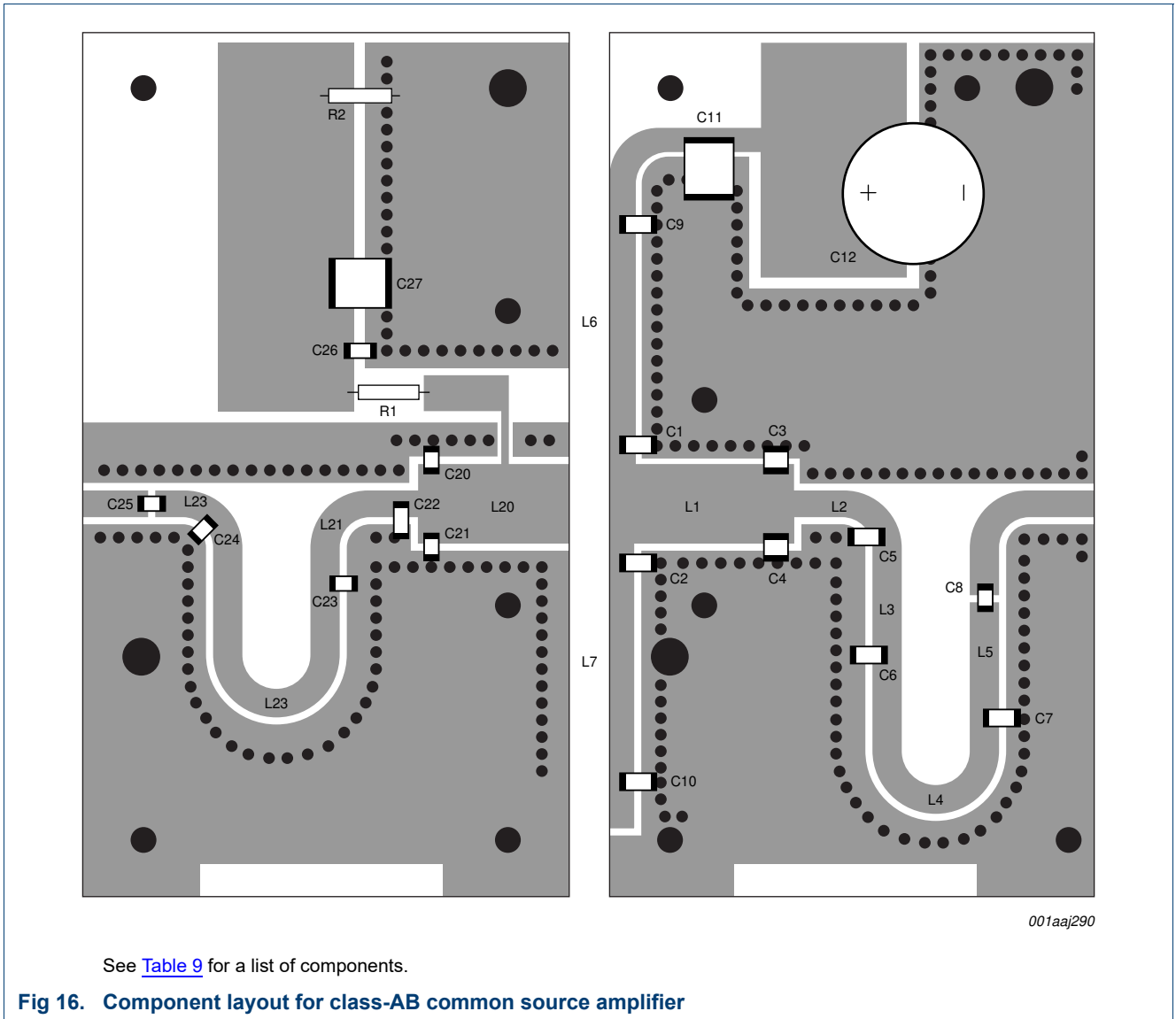


001aaj288

See [Table 9](#) for a list of components.

**Fig 14. Class-AB common-source broadband amplifier**





9. Package outline

Flanged ceramic package; 2 mounting holes; 2 leads

SOT467C

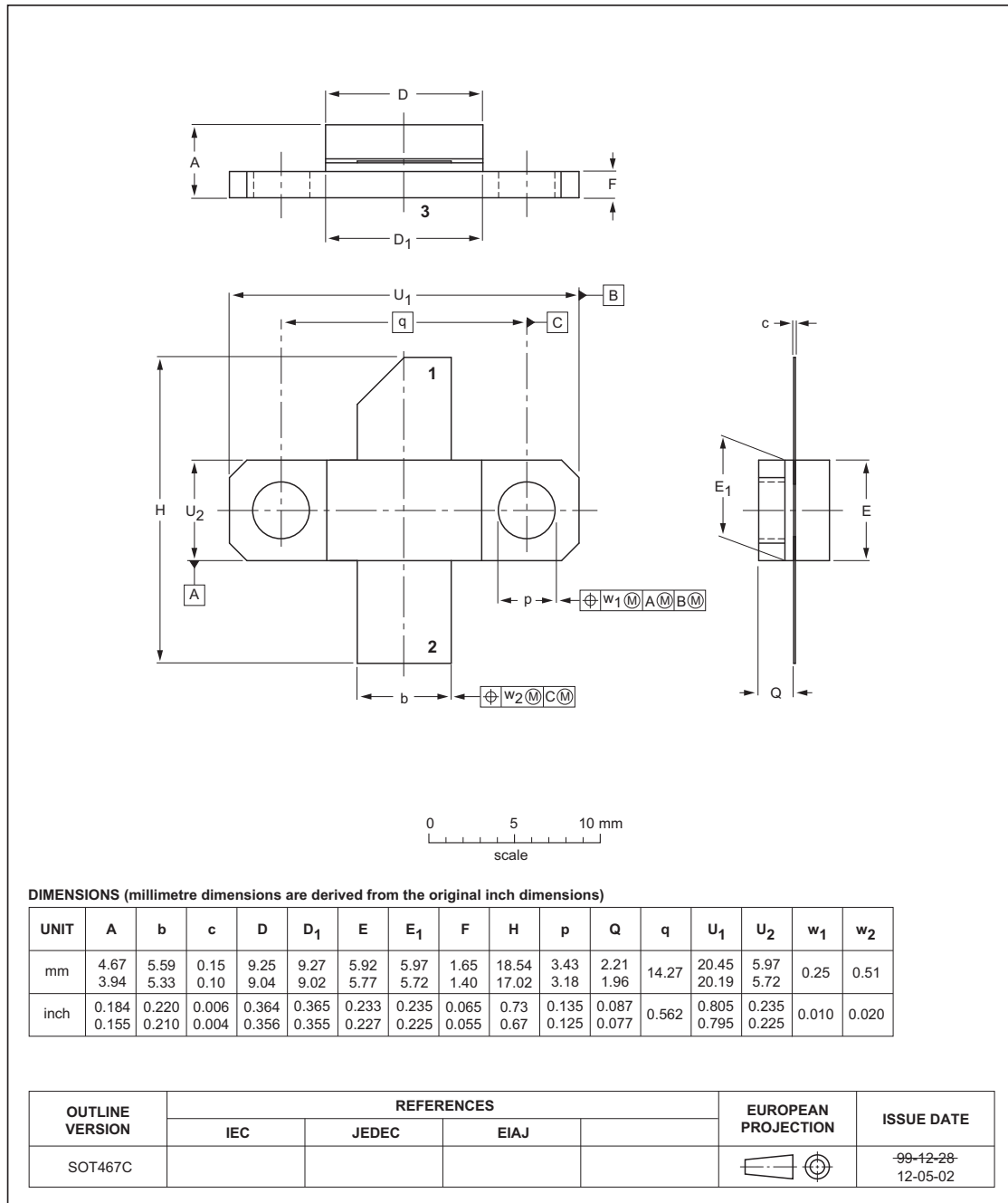
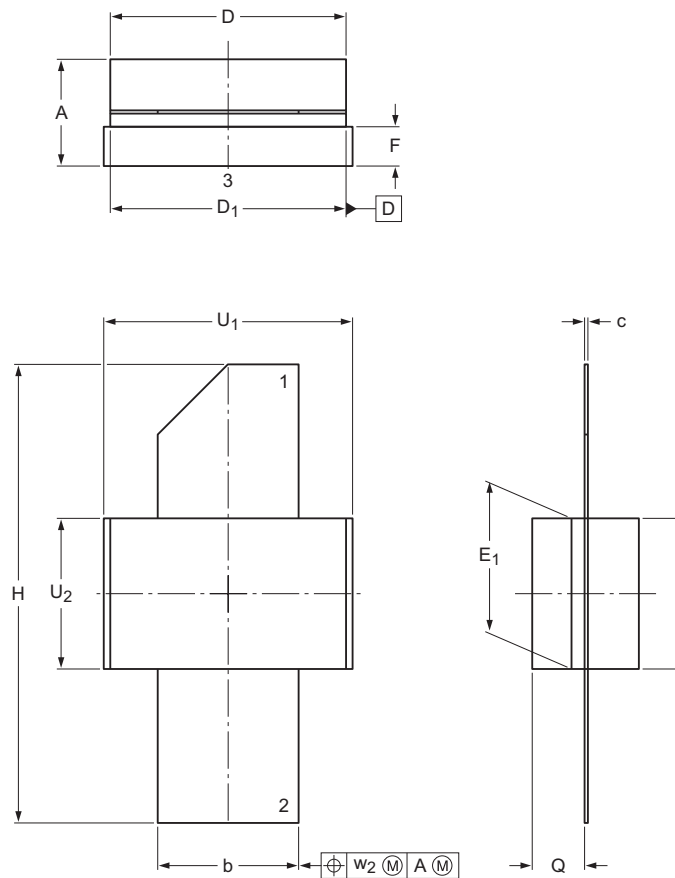


Fig 17. Package outline SOT467C



Earless ceramic package; 2 leads

SOT467B



Dimensions

Unit <sup>(1)</sup>	A	b	c	D	D <sub>1</sub>	E	E <sub>1</sub>	F	H	Q	U <sub>1</sub>	U <sub>2</sub>	w <sub>2</sub>
mm	max	4.67	5.59	0.15	9.25	9.27	5.92	5.97	1.65	18.29	2.21	9.78	5.97
	nom												0.25
	min	3.94	5.33	0.10	9.04	9.02	5.77	5.72	1.40	17.27	1.96	9.53	5.72
inches	max	0.184	0.22	0.006	0.364	0.365	0.233	0.235	0.065	0.72	0.087	0.385	0.235
	nom												0.01
	min	0.155	0.21	0.004	0.356	0.355	0.227	0.225	0.055	0.68	0.077	0.375	0.225

Note

1. millimeter dimensions are derived from the original inch dimensions.

sot467b\_po

Outline version	References			European projection	Issue date
	IEC	JEDEC	JEITA		
SOT467B					-11-08-18- 12-05-01

Fig 18. Package outline SOT467B

## 10. Abbreviations

Table 10. Abbreviations

Acronym	Description
CW	Continuous Wave
CCDF	Complementary Cumulative Distribution Function
DVB	Digital Video Broadcast
DVB-T	Digital Video Broadcast - Terrestrial
ESD	ElectroStatic Discharge
HF	High Frequency
IMD3	Third order InterModulation Distortion
LDMOS	Laterally Diffused Metal-Oxide Semiconductor
LDMOST	Laterally Diffused Metal-Oxide Semiconductor Transistor
OFDM	Orthogonal Frequency Division Multiplexing
PAR	Peak-to-Average power Ratio
PEP	Peak Envelope Power
RF	Radio Frequency
TTF	Time To Failure
UHF	Ultra High Frequency
VSWR	Voltage Standing-Wave Ratio

## 11. Revision history

Table 11. Revision history

Document ID	Release date	Data sheet status	Change notice	Supersedes
BLF871_BLF871S#5	20150901	Product data sheet	-	BLF871_BLF871S_4
Modifications:	<ul style="list-style-type: none"> <li>The format of this document has been redesigned to comply with the new identity guidelines of Ampleon.</li> <li>Legal texts have been adapted to the new company name where appropriate.</li> </ul>			
BLF871_BLF871S_4	20091119	Product data sheet	-	BLF871_3
BLF871_3	20090921	Product data sheet	-	BLF871_2
BLF871_2	20090305	Preliminary data sheet	-	BLF871_1
BLF871_1	20081218	Objective data sheet	-	-

## 12. Legal information

### 12.1 Data sheet status

Document status <sup>[1][2]</sup>	Product status <sup>[3]</sup>	Definition
Objective [short] data sheet	Development	This document contains data from the objective specification for product development.
Preliminary [short] data sheet	Qualification	This document contains data from the preliminary specification.
Product [short] data sheet	Production	This document contains the product specification.

[1] Please consult the most recently issued document before initiating or completing a design.

[2] The term 'short data sheet' is explained in section "Definitions".

[3] The product status of device(s) described in this document may have changed since this document was published and may differ in case of multiple devices. The latest product status information is available on the Internet at URL <http://www.ampleon.com>.

### 12.2 Definitions

**Draft** — The document is a draft version only. The content is still under internal review and subject to formal approval, which may result in modifications or additions. Ampleon does not give any representations or warranties as to the accuracy or completeness of information included herein and shall have no liability for the consequences of use of such information.

**Short data sheet** — A short data sheet is an extract from a full data sheet with the same product type number(s) and title. A short data sheet is intended for quick reference only and should not be relied upon to contain detailed and full information. For detailed and full information see the relevant full data sheet, which is available on request via the local Ampleon sales office. In case of any inconsistency or conflict with the short data sheet, the full data sheet shall prevail.

**Product specification** — The information and data provided in a Product data sheet shall define the specification of the product as agreed between Ampleon and its customer, unless Ampleon and customer have explicitly agreed otherwise in writing. In no event however, shall an agreement be valid in which the Ampleon product is deemed to offer functions and qualities beyond those described in the Product data sheet.

### 12.3 Disclaimers

**Limited warranty and liability** — Information in this document is believed to be accurate and reliable. However, Ampleon does not give any representations or warranties, expressed or implied, as to the accuracy or completeness of such information and shall have no liability for the consequences of use of such information. Ampleon takes no responsibility for the content in this document if provided by an information source outside of Ampleon.

In no event shall Ampleon be liable for any indirect, incidental, punitive, special or consequential damages (including - without limitation - lost profits, lost savings, business interruption, costs related to the removal or replacement of any products or rework charges) whether or not such damages are based on tort (including negligence), warranty, breach of contract or any other legal theory.

Notwithstanding any damages that customer might incur for any reason whatsoever, Ampleon' aggregate and cumulative liability towards customer for the products described herein shall be limited in accordance with the *Terms and conditions of commercial sale* of Ampleon.

**Right to make changes** — Ampleon reserves the right to make changes to information published in this document, including without limitation specifications and product descriptions, at any time and without notice. This document supersedes and replaces all information supplied prior to the publication hereof.

**Suitability for use** — Ampleon products are not designed, authorized or warranted to be suitable for use in life support, life-critical or safety-critical systems or equipment, nor in applications where failure or malfunction of an

Ampleon product can reasonably be expected to result in personal injury, death or severe property or environmental damage. Ampleon and its suppliers accept no liability for inclusion and/or use of Ampleon products in such equipment or applications and therefore such inclusion and/or use is at the customer's own risk.

**Applications** — Applications that are described herein for any of these products are for illustrative purposes only. Ampleon makes no representation or warranty that such applications will be suitable for the specified use without further testing or modification.

Customers are responsible for the design and operation of their applications and products using Ampleon products, and Ampleon accepts no liability for any assistance with applications or customer product design. It is customer's sole responsibility to determine whether the Ampleon product is suitable and fit for the customer's applications and products planned, as well as for the planned application and use of customer's third party customer(s). Customers should provide appropriate design and operating safeguards to minimize the risks associated with their applications and products.

Ampleon does not accept any liability related to any default, damage, costs or problem which is based on any weakness or default in the customer's applications or products, or the application or use by customer's third party customer(s). Customer is responsible for doing all necessary testing for the customer's applications and products using Ampleon products in order to avoid a default of the applications and the products or of the application or use by customer's third party customer(s). Ampleon does not accept any liability in this respect.

**Limiting values** — Stress above one or more limiting values (as defined in the Absolute Maximum Ratings System of IEC 60134) will cause permanent damage to the device. Limiting values are stress ratings only and (proper) operation of the device at these or any other conditions above those given in the Recommended operating conditions section (if present) or the Characteristics sections of this document is not warranted. Constant or repeated exposure to limiting values will permanently and irreversibly affect the quality and reliability of the device.

**Terms and conditions of commercial sale** — Ampleon products are sold subject to the general terms and conditions of commercial sale, as published at <http://www.ampleon.com/terms>, unless otherwise agreed in a valid written individual agreement. In case an individual agreement is concluded only the terms and conditions of the respective agreement shall apply. Ampleon hereby expressly objects to applying the customer's general terms and conditions with regard to the purchase of Ampleon products by customer.

**No offer to sell or license** — Nothing in this document may be interpreted or construed as an offer to sell products that is open for acceptance or the grant, conveyance or implication of any license under any copyrights, patents or other industrial or intellectual property rights.

**Export control** — This document as well as the item(s) described herein may be subject to export control regulations. Export might require a prior authorization from competent authorities.

**Non-automotive qualified products** — Unless this data sheet expressly states that this specific Ampleon product is automotive qualified, the product is not suitable for automotive use. It is neither qualified nor tested in accordance with automotive testing or application requirements. Ampleon accepts no liability for inclusion and/or use of non-automotive qualified products in automotive equipment or applications.

In the event that customer uses the product for design-in and use in automotive applications to automotive specifications and standards, customer (a) shall use the product without Ampleon' warranty of the product for such automotive applications, use and specifications, and (b) whenever customer uses the product for automotive applications beyond Ampleon' specifications such use shall be solely at customer's own risk, and (c) customer fully indemnifies Ampleon for any liability, damages or failed product claims resulting from customer design and use of the product for automotive applications beyond Ampleon' standard warranty and Ampleon' product specifications.

**Translations** — A non-English (translated) version of a document is for reference only. The English version shall prevail in case of any discrepancy between the translated and English versions.

## 13. Contact information

---

For more information, please visit:  
<http://www.ampleon.com>

## 12.4 Trademarks

Notice: All referenced brands, product names, service names and trademarks are the property of their respective owners.

Any reference or use of any 'NXP' trademark in this document or in or on the surface of Ampleon products does not result in any claim, liability or entitlement vis-à-vis the owner of this trademark. Ampleon is no longer part of the NXP group of companies and any reference to or use of the 'NXP' trademarks will be replaced by reference to or use of Ampleon's own Any reference or use of any 'NXP' trademark in this document or in or on the surface of Ampleon products does not result in any claim, liability or entitlement vis-à-vis the owner of this trademark. Ampleon is no longer part of the NXP group of companies and any reference to or use of the 'NXP' trademarks will be replaced by reference to or use of Ampleon's own trademarks.

For sales office addresses, please visit:  
<http://www.ampleon.com/sales>

14. Contents

1 **Product profile** . . . . . 1

1.1 General description . . . . . 1

1.2 Features . . . . . 1

1.3 Applications . . . . . 2

2 **Pinning information** . . . . . 2

3 **Ordering information** . . . . . 2

4 **Limiting values** . . . . . 3

5 **Thermal characteristics** . . . . . 3

6 **Characteristics** . . . . . 3

7 **Application information** . . . . . 4

7.1 Narrowband RF figures . . . . . 5

7.1.1 CW . . . . . 5

7.1.2 2-Tone . . . . . 5

7.1.3 DVB-T . . . . . 6

7.2 Broadband RF figures . . . . . 7

7.2.1 2-Tone . . . . . 7

7.2.2 DVB-T . . . . . 8

7.3 Ruggedness in class-AB operation . . . . . 9

7.4 Impedance information . . . . . 9

7.5 Reliability . . . . . 10

8 **Test information** . . . . . 11

9 **Package outline** . . . . . 15

10 **Abbreviations** . . . . . 17

11 **Revision history** . . . . . 17

12 **Legal information** . . . . . 18

12.1 Data sheet status . . . . . 18

12.2 Definitions . . . . . 18

12.3 Disclaimers . . . . . 18

12.4 Trademarks . . . . . 19

13 **Contact information** . . . . . 19

14 **Contents** . . . . . 20

Please be aware that important notices concerning this document and the product(s) described herein, have been included in section 'Legal information'.

© Ampleon The Netherlands B.V. 2015. All rights reserved.

For more information, please visit: <http://www.ampleon.com>  
 For sales office addresses, please visit: <http://www.ampleon.com/sales>

Date of release: 1 September 2015  
 Document identifier: BLF871\_BLF871S#5